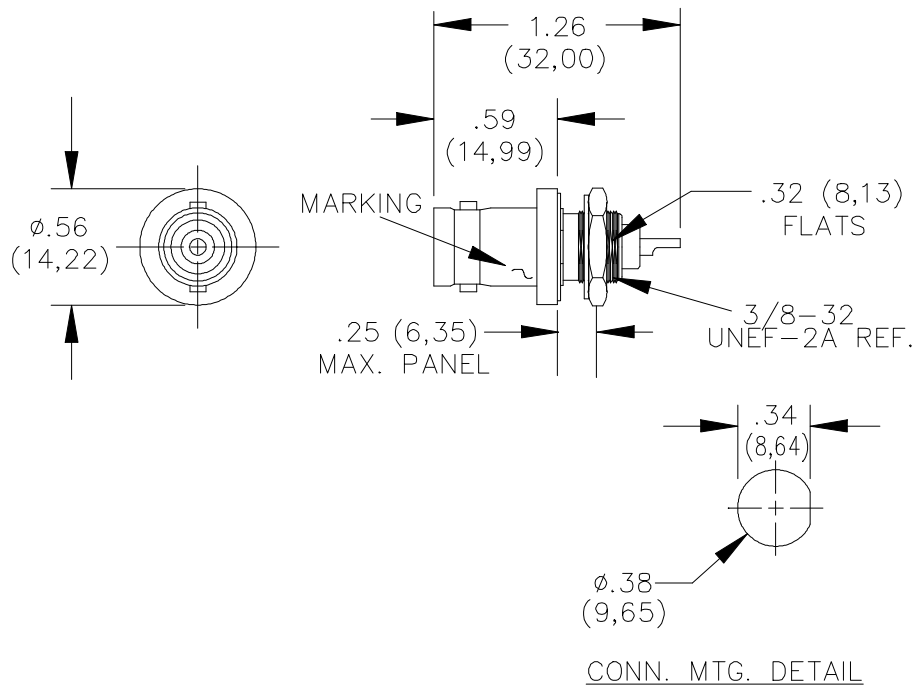


Model 4158
BNC Pressurized Bulkhead
Receptacle, (Female)



MATERIALS:

Body – Brass, Tarnish Resistant Plating, Center Contact – Gold Plated Beryllium Copper
 Finish: Body, Lockwasher and Hex Nut – Tarnish Resistant
 Center Contact – Gold plated
 Dielectric – PTFE
 Marking: “Pomona 4158”

RATING:

Nominal Impedance: 50 Ohms
 Differential Pressure: 50 PSI rated to 344.75 KPA

ORDERING INFORMATION: Model 4158

All dimensions are in inches. Tolerances (except noted): .xx = $\pm .02$ " (.51 mm), .xxx = $\pm .005$ " (.127 mm).
 All specifications are to the latest revisions. Specifications are subject to change without notice.
 Registered trademarks are the property of their respective companies. Made in USA