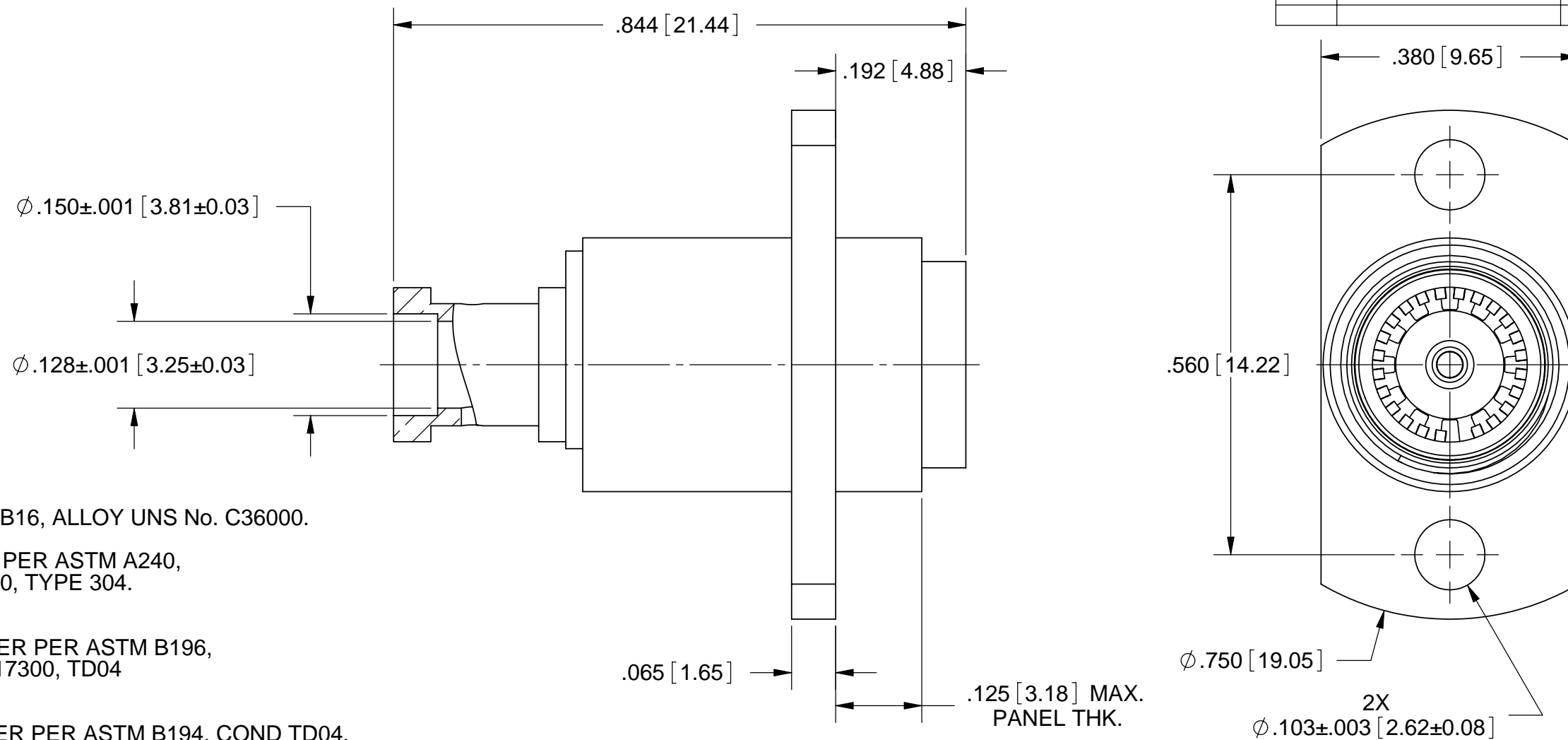


PRODUCT DATA DRAWING

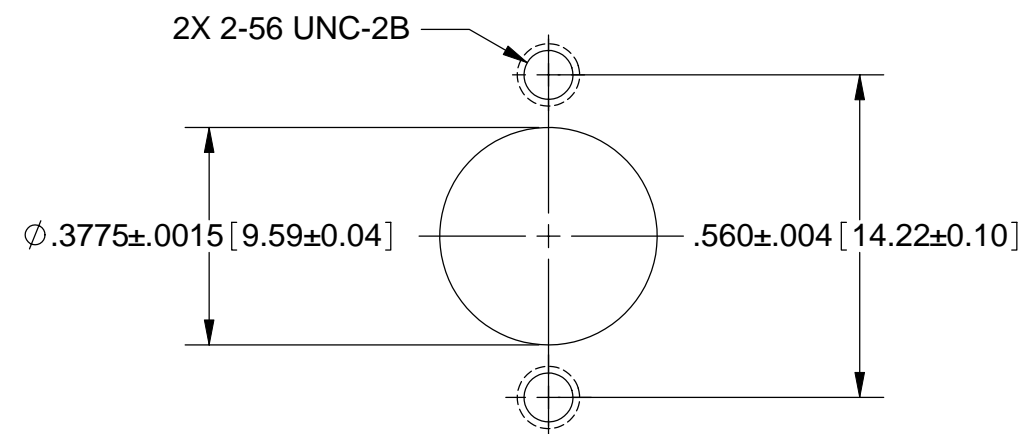
REVISION HISTORY			
REV	DESCRIPTION	DATE	APPROVED
-	REL. DCN 36936	07/28/09	DAL



- MATERIAL:**
- BODY & BUSHING:** BRASS PER ASTM B16, ALLOY UNS No. C36000.
 - LOCK RING:** STAINLESS STEEL PER ASTM A240, ALLOY UNS S30400, TYPE 304.
 - CONTACT & CONTACT SLEEVE:** BERYLLIUM COPPER PER ASTM B196, ALLOY No. UNS C17300, TD04
 - SHIM SPRING & OUTER CONTACT:** BERYLLIUM COPPER PER ASTM B194, COND TD04, ALLOY No. UNS C17200.
 - COMPRESSION SPRING:** STAINLESS STEEL PER ASTM A313, ALLOY UNS S30200.
 - INSULATOR:** PTFE PER ASTM D1710, TYPE I, GRADE 1, CLASS B.
 - FINISH:**
 - LOCK RING & COMPRESSION SPRING:** PASSIVATED PER AMS-2700.
 - BODY, BUSHING, CONTACT SLEEVE, SHIM SPRING & OUTER CONTACT:** GOLD PER ASTM B 488, TYPE I, CODE C, CLASS 1.27, OVER COPPER PER AMS-2418, TYPE I, .0001" MIN.

PERFORMANCE:F

IMPEDANCE: 50 OHMS
FREQ. RANGE: DC TO 22.0 GHz
VSWR: 1.30:1 DC TO 22.0 GHz
INSERTION LOSS: .03 X SQRT(F(F IN GHz))
DWV: 1000 VRMS
INS. RESISTANCE: 5000 MEGOHMS MINIMUM.
OPERATING TEMP.: -55 °C TO +125 °C



RECOMMENDED MTG. HOLE

MATERIAL: SEE NOTES	DIMENSIONS ARE IN INCHES TOLERANCES: FRACTIONAL: $\pm 1/64$ ANGULAR: X° $\pm 1'0$ X"X' $\pm 15'$	UNLESS OTHERWISE SPECIFIED 1) ALL DIMENSIONS ARE IN INCHES (MILLIMETERS) 2) ALL DIMENSIONS ARE AFTER PLATING. 3) BREAK CORNERS & EDGES .005 R. MAX. 4) CHAM. 1ST & LAST THREADS. 5) SURFACE ROUGHNESS 63-MIL-STD-10. 6) DIA.'S ON COMMON CENTERS TO BE CONCENTRIC WITHIN .005 T.I.R. 7) REMOVE ALL BURRS	SV Microwave, Inc. 2400 Centrepark West Drive, Suite 100 West Palm Beach, FL 33409
FINISH: SEE NOTES	DECIMAL: .X $\pm .030$.XX $\pm .010$.XXX $\pm .005$	INTERPRET DIMENSIONS AND TOLERANCES PER ASME Y14.5M - 1994	TITLE: BMA FLOAT MT. JACK FOR IW-1501 CABLE
SURFACE AREA: N/A	PROPRIETARY THE INFORMATION CONTAINED IN THIS DRAWING IS THE SOLE PROPERTY OF SV MICROWAVE, INC. ANY REPRODUCTION IN PART OR AS A WHOLE WITHOUT THE WRITTEN PERMISSION OF SV MICROWAVE, INC IS PROHIBITED.	THIRD ANGLE PROJECTION	SIZE B CAGE CODE 95077 DWG. NO. 1721-00003
		DRAWN: JMC 07/28/09 CHECKED: DAL 07/28/09 APPROVED: DAL 07/28/09	SCALE: 5:1 SHEET 1 OF 1