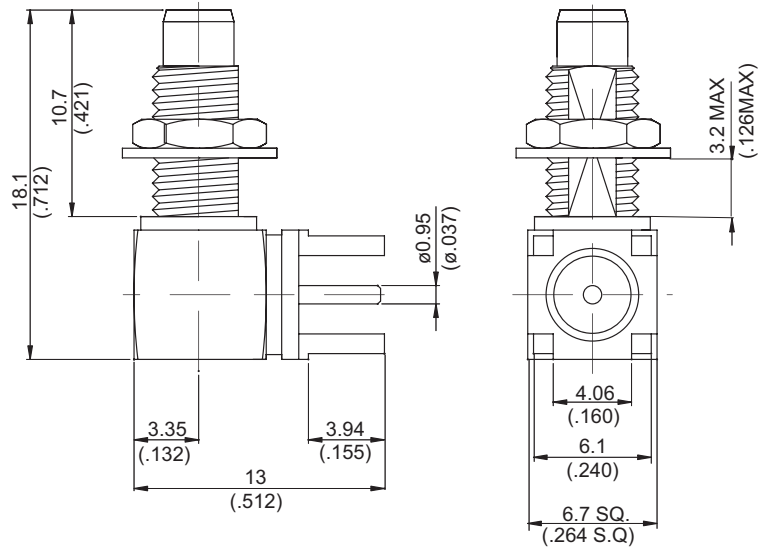
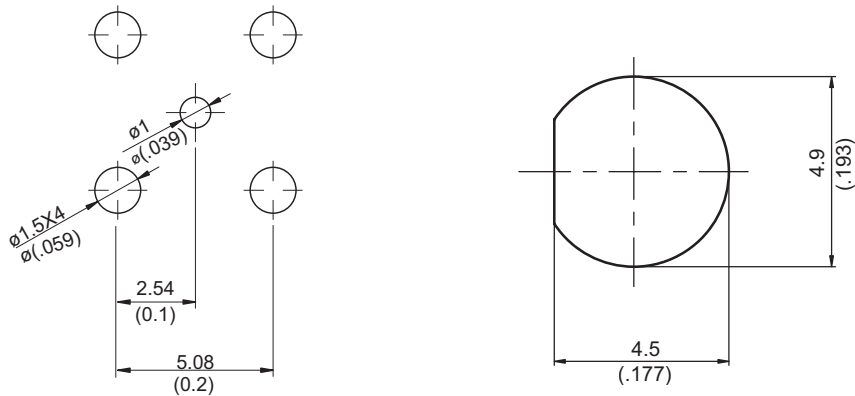


SMC8400A-9000

SMC Jack P.C.B Mount Right Angle 50Ω



MOUNTING HOLE :



Parts	Material	Plating (Micro-inch)
Hex Nut	Brass	Gold 5 Over Nickel 50 Over Copper 50
Lock Washer	Brass	Gold 5 Over Nickel 50 Over Copper 50
Cover	Brass	Gold 5 Over Nickel 50 Over Copper 50
Part	Brass	Gold 5 Over Nickel 50 Over Copper 50
Contact Pin	Brass	Gold 20 Over Nickel 50 Over Copper 50
Insulator	Teflon	
Housing	Brass	Gold 5 Over Nickel 50 Over Copper 50
Body	Brass	Gold 5 over Nickel 50 Over Copper 50

Weight: 3.51 g

This part number complies with RoHS.

Notice: JYEBAO reserves the right to make modifications deemed appropriate.