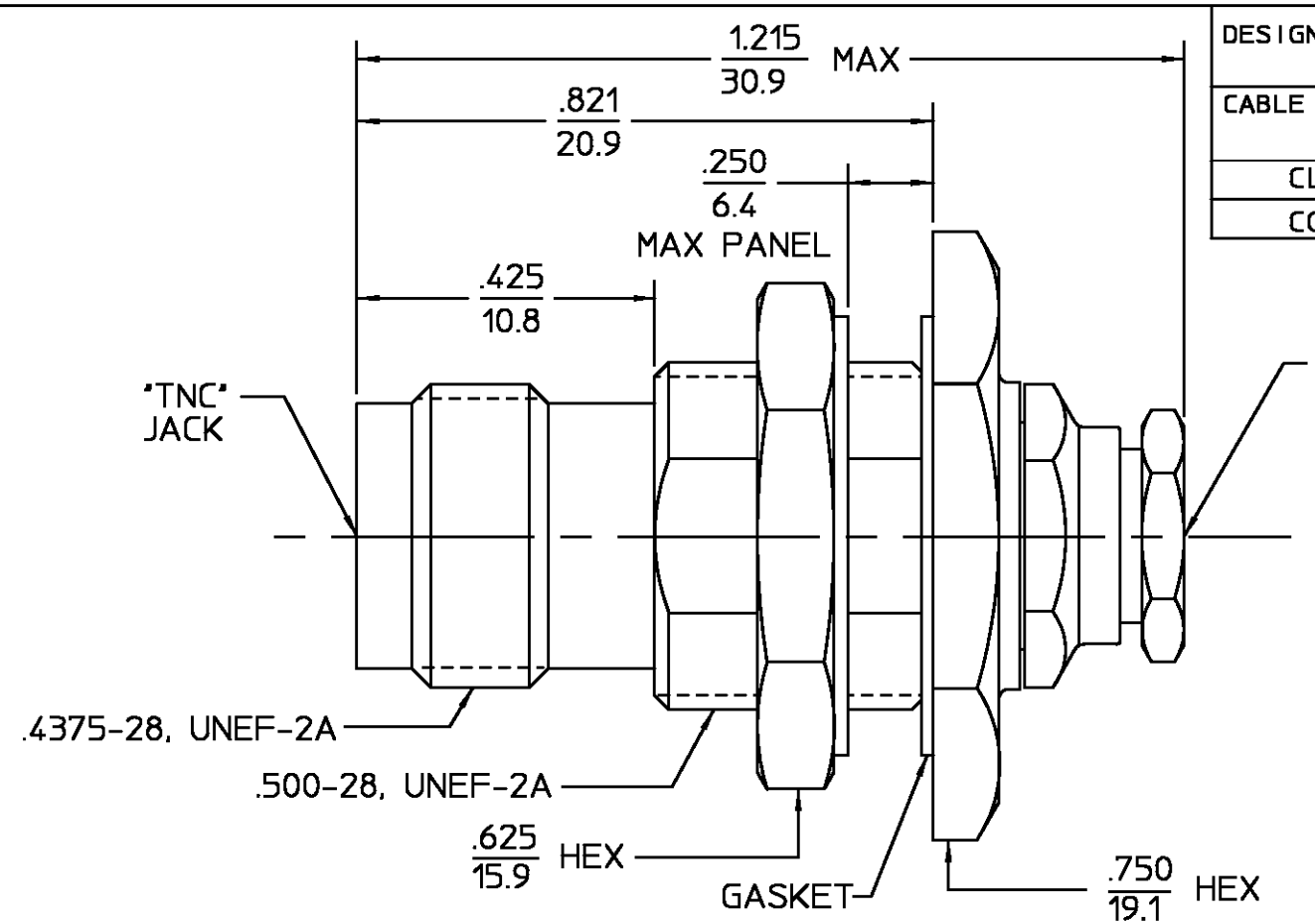
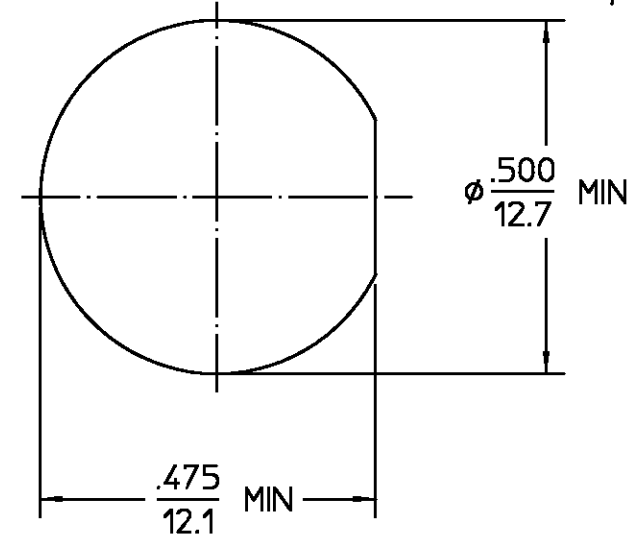


DESIGNED FOR USE WITH RG-188/U	
CABLE ENTRY DIAMETER MINIMUM	
CLAMP NUT	.114
COLLAR	.104

REVISIONS			
REV	DESCRIPTION	DATE	APPROVED
01 ₄	REVISED	K.LE 3-25-87	<i>[Signature]</i>



RECOMMENDED MOUNTING HOLE



ELECTRICAL	MECHANICAL	ENVIRONMENTAL
Nominal Impedance (Ohms) <u>50</u>	Interface Dimensions MIL-STD-348A, Fig. 313-2	Temperature Rating <u>-65 to +165°</u>
Frequency Range (GHz) DC to <u>11.0</u>	Recommended Mating Torque <u>4-6 IN-LBS</u>	Vibration MIL-STD-202, Method 204, Condition B
Volt Rating (VRMS MAX) @ Sea Level <u>500</u>	Mating Characteristics: Insertion (MAX Lbs) <u>2.0</u>	Shock MIL-STD-202, Method 213, Condition I
VSWR <u>1.30</u> MAX	Withdrawal (MIN Oz) <u>2.0</u>	Thermal Shock MIL-STD-202, Method 107, Condition B, Except High Temp +85°C
Insertion Loss (dB MAX) $0.06\sqrt{f(\text{GHz})}$ @ 3-6 GHz	Force to Engage and Disengage (In-Lbs MAX) <u>2.0</u>	Moisture Resistance MIL-STD-202, Method 106
RF Leakage (dB MIN) <u>-60</u>	Center Contact Captivation Axial (Lbs) <u>6.0</u>	Corrosion - MIL-STD-202, Method 101, Condition B, 5% salt spray
Corona, 70,000 Ft (VRMS MIN) <u>375</u>	Radial (In-Oz) <u>N/A</u>	
Dielectric Withstanding Voltage (VRMS MIN) @ Sea Level <u>1,500</u>	Cable Retention Axial Force (Lbs) <u>40.0</u>	
Contact Resistance (Milliohms MAX) Center Contact <u>15</u>	Torque (In-Oz) <u>N/A</u>	
Outer Contact <u>0.2</u>	Weight (Grams) <u>TBD</u>	
Cable to Housing <u>0.1</u>		
RF High Potential @ Sea Level (VRMS MIN @ 5 MHz) <u>1,000</u>		
I.R. (Megohms MIN) <u>5,000</u>		

COMPONENT	MATERIAL	FINISH
HOUSING	BRASS PER ASTM-B-16,	NICKEL PLATE PER QQ-N-290
CLAMP NUT	HALF HARD	
MOUNTING NUT		
COLLAR	BRASS PER ASTM-B-16,	GOLD PLATE PER MIL-G-45204
DIELECTRIC	TFE FLUOROCARBON PER ASTM-D-1457	N/A
CENTER CONTACT	BERYLLIUM COPPER PER ASTM-B-196 OR ASTM-B-197, ALLOY C17300, CONDITION H	GOLD PLATE PER MIL-G-45204
LOCKWASHER	PHOSPHOR BRONZE PER QQ-B-750, GRADE B2	NICKEL PLATE PER QQ-N-290
GASKET	SILICONE RUBBER PER ZZ-R-765	N/A

UNLESS OTHERWISE SPECIFIED DIMENSIONS ARE IN INCHES

FRAC. ± 1/64	DEC. ± .005	ANGLES ± 1°
--------------	-------------	-------------

DRAWN BY JDP DATE 1-7-71
 CHECKED BY PRB DATE 1-13-71
 APPD BY BWC DATE 1-13-71

USE ASSY PROCEDURE
 408-08216
 NO. A.P. (31-034)

AMP Incorporated
 140 Fourth Avenue
 Waltham, MA 02451-7599

TITLE "OST" STRAIGHT BULKHEAD FEEDTHRU CABLE JACK-CLAMP ATTACHMENT

SIZE B	CODE IDENT NO. 26805	3104-7188-10	REV 01 ₄
SCALE 4:1			SHEET 1 OF 1

CUSTOMER DRAWING

AMP PART # 1057661-1
 SHEET 1 OF 1 REV A