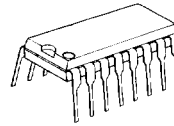


3-INPUT/2-INPUT VIDEO SWITCH

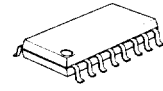
■ GENERAL DESCRIPTION

The NJM2523 is a switching IC for switching over from one audio or video input signal to another. Internalizing 3 input-1 output, and 2 input-1 output and then each set can be operated independently. One of 2 input-1 output are Clamp type", and they can be operated while setting DC level fixed in position of the video signal. It is a higher efficiency video switch, featuring the operating voltage 4.75V to 13V, the frequency feature 10MHz, and then the Crosstalk 75dB (at 4.43MHz).

■ PACKAGE OUTLINE



NJM2523D



NJM2523M

■ FEATURES

- Operating Voltage (+4.75V ~ +13V)
- Input-1 Output Internalizing 3 circuits (Two of them are Clamp type).
- Crosstalk 75dB(at 4.43MHz)
- Wide Bandwidth Frequency 10MHz(2V_{P-P} Input)
- Package Outline DIP16, DMP16

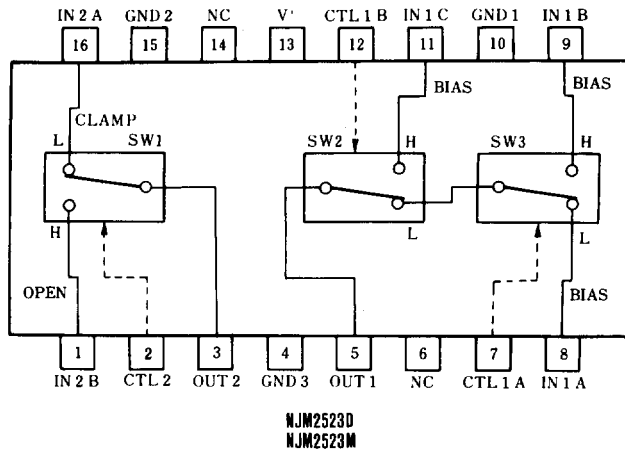
■ RECOMMENDED OPERATING CONDITION

- Operating Voltage V⁺ 4.75~13.0V

■ APPLICATIONS

- VCR, Video Camera, AV-TV, Video Disk Player.

■ BLOCK DIAGRAM



5



■ MAXIMUM RATINGS

(Ta=25°C)

PARAMETER	SYMBOL	RATINGS	UNIT
Supply Voltage	V ⁺	14	V
Power Dissipation	P _D	(DIP16) 700 (DMP16) 350	mW
Operating Temperature Range	T _{opr}	-20~+75	°C
Storage Temperature Range	T _{stg}	-40~+125	°C

■ ELECTRICAL CHARACTERISTICS

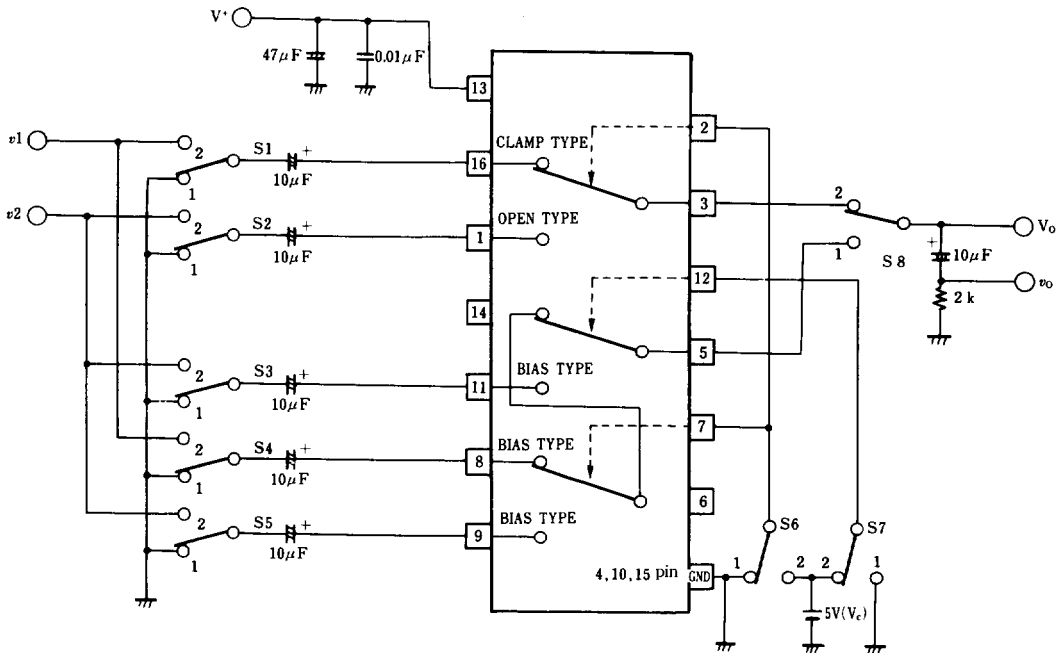
(V⁺=5V, Ta=25°C)

PARAMETER	SYMBOL	TEST CONDITION	MIN.	TYP.	MAX.	UNIT
Operating Current (1)	I _{cc1}	V ⁺ =5V (Note1)	6.7	9.7	12.7	mA
Operating Current (2)	I _{cc2}	V ⁺ =9V (Note1)	8.6	12.3	16.0	mA
Voltage Gain	G _v	V _i = 100kHz, 2V _{P-P} , V _O / V _i	-0.6	-0.1	+0.4	dB
Frequency Gain	G _{F1}	V _i = 2V _{P-P} , V _O (10MHz) / V _O (100kHz)	-1.0	0	+1.0	dB
Differential Gain	DG	V _i = 2V _{P-P} , Standard Staircase Signal	—	0.3	—	%
Differential Phase	DP	V _i = 2V _{P-P} , Standard Staircase Signal	—	0.3	—	deg
OutPut offset Voltage	V _{os1}	(Note2)	-25	0	+25	mV
Crosstalk	CT	V _i = 2V _{P-P} , 4.43MHz, V _O / V _i	—	-75	—	dB
Switch Change Over Voltage	V _{CH}	All inside Switches ON	2.5	—	—	V
Switch Change Over Voltage	V _{CL}	All inside Switches OFF	—	—	1.0	V

(Note1) S1=S2=S3=S4=S5=S6=S7=1

(Note2) S1=S2=S3=S4=S5=1, S8=1, S7=1, S6=1→2 (S6=1, S7=1→2) Measure the output DC voltage difference

■ TEST CIRCUIT



5



■ TERMINAL EXPLANATION

PIN NO.	PIN NAME	VOL	INSIDE EQUIVALENT CIRCUIT
8 9 11	IN 1 A IN 1 B IN 1 C (Input)	2.5V $\left(\frac{1}{2}V^+\right)$	
16	IN 2 A (Input)	1.5V $\left(\frac{3}{10}V^+\right)$	
1	IN 2 B (Input)		
7 12 2	CTL 1 A CTL 1 B CTL 2 (Switching)		
5	OUT 1 (Output)	1.8V $\left(\frac{1}{2}V^+ - 0.7\right)$	
3	OUT 2 (Output)	0.8V $\left(\frac{3}{10}V^+ - 0.7\right)$	
13	V+	5V	
15 4 10	GND 1 GND 2 GND 3		