



Advance Information

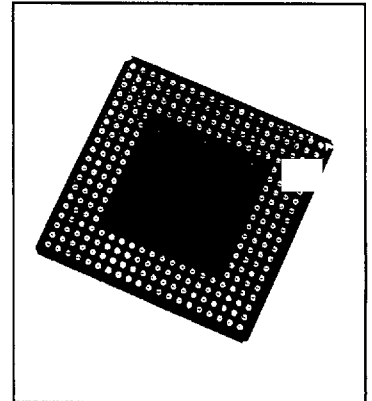
ATM Cell Processor

The ATM Cell Processor (MC92500) is a peripheral device composed of dedicated high performance Ingress and Egress Cell Processors combined with UTOPIA Compliant PHY and Switch Interface ports (see Figure 1).

MC92500 Features

- Full duplex operation at SONET STS-3c, SONET STS-1, DS3 PLCP, or any physical link running up to 155 Mbit/sec
- Implements ATM Layer functions for broadband ISDN according to CCITT recommendations and ATM forum UNI specification
- Performs internal VPI and VCI translation/compression (with an option for external compression) for up to 64K VCs
- Configurable as either UNI or NNI port
- Supports up to 16 physical links
- Supports multicast operation on egress cell flow
- Provides a flexible 32 bit external memory port for context management
- Supports all Operation and Maintenance (OAM) cells including bidirectional OAM performance monitoring for up to 64 connections
- Programmable 32 bit microprocessor interface supporting either big- or little-endian bus formats
- Provides per-connection usage parameter control or network parameter control using a leaky-bucket design with up to four buckets per connection
- Implements separate cell insertion and cell extraction queues
- Supports a programmable number of additional switch parameters

MC92500 ATM Cell Processor



Ordering Information

| Device | Package |
|-----------|-----------|
| MC92500BT | 256 OMPAC |

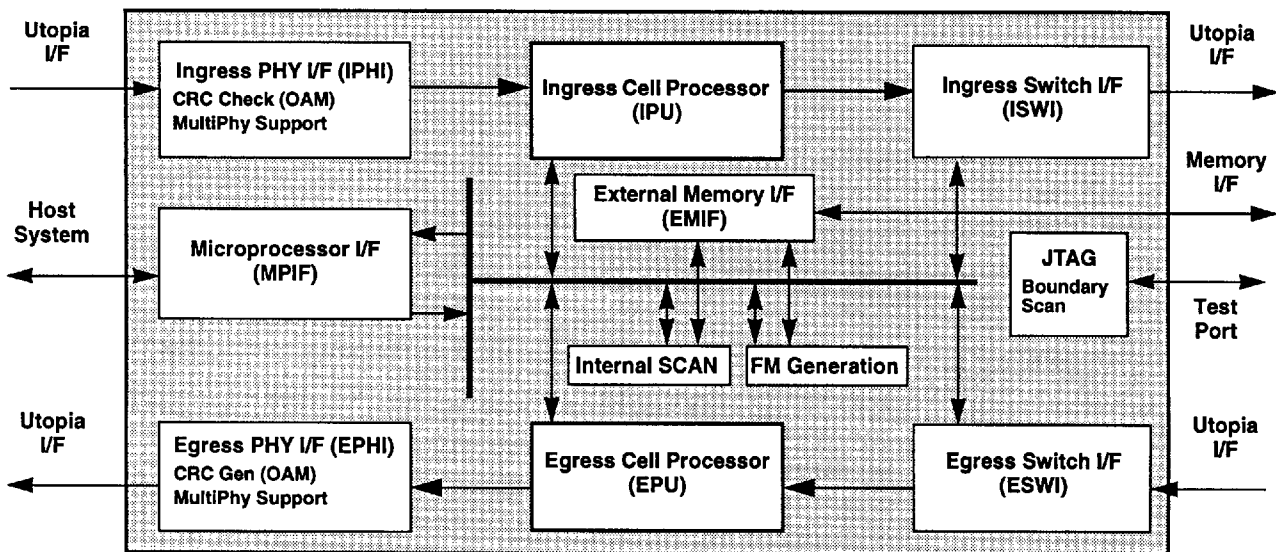


Figure 1. Representative Block Diagram

This document contains information on a new product. Specifications and information herein are subject to change without notice.

TABLE OF CONTENTS

| | | | |
|--|----|---|----|
| 1. ATM NETWORK | | 6. INGRESS DATA PATH OPERATION | |
| 1.1 ATM Network Description | 3 | 6.1 Ingress Data Path | 17 |
| 1.2 ATM Network Applications | 4 | 6.2 Interface to Physical Layer - Cell Assembly | 18 |
| 2. SYSTEM FUNCTIONAL DESCRIPTION | | 6.3 Address Compression | 19 |
| 2.1 Functional Description | 5 | 6.4 Cell Counting | 19 |
| 2.2 Ingress Cell Flow | 6 | 6.5 Ingress Cell Insertion | 20 |
| 2.2.1 Ingress Features | 6 | 6.6 Switch Overhead Information | 20 |
| 2.3 Egress Cell Flow | 6 | 6.7 Transfer to Switch | 20 |
| 2.3.1 Egress Features | 7 | 7. EGRESS DATA PATH OPERATION | |
| 2.4 Other Functions | 7 | 7.1 Egress Data Path | 21 |
| 2.5 MC92500 Block Diagram | 7 | 7.1.1 Transfer from Switch | 21 |
| 2.5.1 Ingress PHY Interface (IPHI) | 8 | 7.1.2 Multicast Identifier Translation | 22 |
| 2.5.2 Ingress Cell Processing Unit (IPU) | 8 | 7.1.3 Egress Cell Insertion | 22 |
| 2.5.3 Ingress Switch Interface (ISWI) | 8 | 7.1.4 Address Translation | 22 |
| 2.5.4 Egress Switch Interface (ESWI) | 8 | 7.1.5 Cell Counting | 22 |
| 2.5.5 Egress Cell Processing (EPU) | 8 | 7.1.6 Transmission to Physical Layer | 22 |
| 2.5.6 Egress PHY Interface (EPHI) | 9 | 8. SYSTEM OPERATION | |
| 2.5.7 External Memory Interface (EMIF)..... | 9 | 8.1 MC92500 Modes of Operation | 23 |
| 2.5.8 Microprocessor Interface (MPIF) | 9 | 8.1.1 Setup Mode | 23 |
| 2.5.9 Internal Scan (ISCAN) | 9 | 8.1.2 Operate Mode | 23 |
| 2.5.10 Forward Monitoring (FM) | 9 | 8.1.3 Reset | 23 |
| 3. REGISTERS DESCRIPTION | | 8.2 Data Path Clock Configuration | 23 |
| 3.1 MC92500 Registers | 9 | 9. ELECTRICAL CHARACTERISTICS | |
| 4. EXTERNAL MEMORY DESCRIPTION | | 9.1 Electrical Specifications | 24 |
| 4.1 MC92500 External Memory | 11 | 9.1.1 Clocks | 24 |
| 4.1.1 Memory Partitioning | 11 | 9.1.2 Microprocessor Interface Timing | 25 |
| 5. SIGNAL DESCRIPTION | | 9.1.3 PHY Interface Timing | 32 |
| 5.1 Functional Signal Groups | 13 | 9.1.4 External Memory Interface Timing | 33 |
| 5.2 Ingress PHY Signals | 13 | 9.1.5 Write Cycle Timing | 33 |
| 5.3 Egress PHY Signals | 14 | 9.1.6 Read Cycle Timing..... | 35 |
| 5.3.1 Ingress Switch Interface Signals | 14 | 9.1.7 DC Electrical Characteristics | 36 |
| 5.3.2 Egress Switch Interface Signals | 15 | 10. PACKAGE INFORMATION | |
| 5.4 External Memory Signals | 15 | 10.1 Pin Assignment | 38 |
| 5.4.1 Control Signals | 16 | 10.2 256 PBGA Case Outline | 40 |
| 5.4.2 Microprocessor Signals (MP) | 16 | | |
| 5.4.3 Clock Signals | 17 | | |
| 5.4.4 JTAG Interface Test Signals | 17 | | |

1. ATM NETWORK

1.1 ATM Network Description

A typical ATM network consists of user end stations that transmit and receive 53-byte data cells on virtual connections (see Figure 2). The virtual connections are implemented using physical links and switching systems that interconnect them. The specific combination of physical links that implements a virtual connection is chosen when the connection is established. On a given physical link, each connection is assigned a unique connection identifier. The connection identifier is placed in the header of each cell by the transmitting equipment and is used by the receiving equipment to route the cell to the next physical link on the connection path. All cells belonging to a specific virtual connection follow the identical path from the transmitting end station through the switching systems to the receiving end station.

Each switching system handles multiple physical links and transfers each arriving ATM cell from its source link to its destination link according to the pre-arranged

routing for the connection to which the cell belongs. The switching system consists of a switch fabric, which handles the actual routing of the cells, and a line card for each physical link (or group of links) to interface between the physical medium and the switch fabric. The line card recovers incoming cells from the arriving bit stream and converts outgoing cells into a bit stream for transmission.

ATM standards divide the tasks to be performed on each side of the switch fabric into PHY-layer and ATM-layer tasks. The PHY-layer tasks are dependent on the physical medium used to connect the switching systems, while the ATM-layer tasks operate at the cell level and are independent of the physical medium. Therefore, it is logical to implement the PHY-layer and ATM-layer functions on separate devices. In this case the line card appears as in Figure 2. There are one or more PHY-layer devices, an ATM-layer device, and clock recovery devices to clock the PHY devices in accordance with the signals arriving on the physical media.

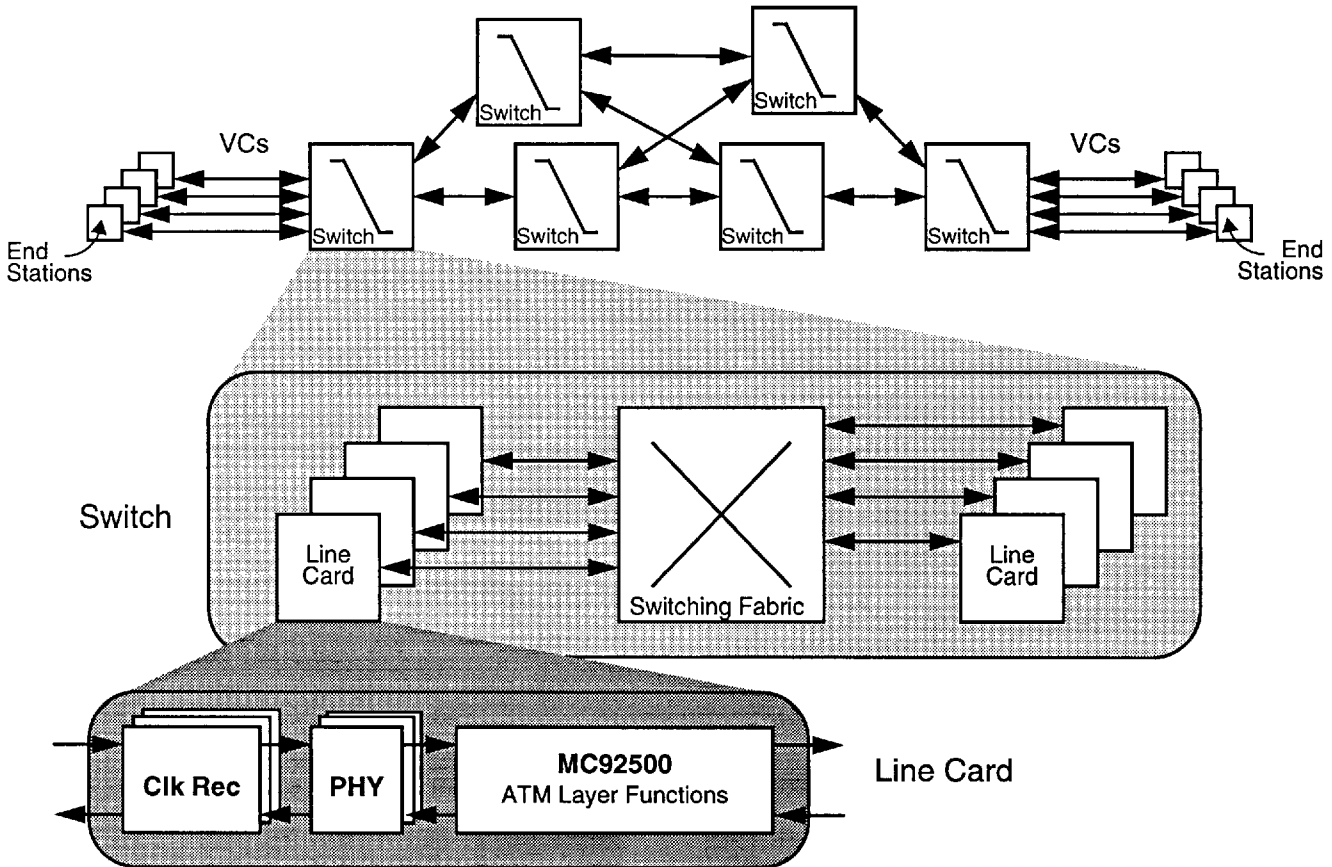


Figure 2. MC92500 in an ATM Network Application

1. ATM NETWORK

1.2 ATM Network Applications

The MC92500, an Asynchronous Transfer Mode cell-processing device is ideally suited for use in an interface between a PHY-layer device and an ATM switch fabric. The primary application of the MC92500 is to provide ATM-layer cell processing and routing functions.

Figure 3 shows the basics of a typical ATM line card using an MC92500 device. The MC92500 uses a fast external memory for storing information about the ATM virtual connections whose cells it processes. In addition, the MC92500 offers an option to utilize an external address compression device accessed via the same external memory bus.

The microprocessor is used for configuration, control and status monitoring of the MC92500 and is responsible for initializing and maintaining the external memory. The MC92500 is the master of the external memory bus. At regular intervals the MC92500 allows the microprocessor to access the external memory for updating and maintenance.

System RAM can also be located on the line card. The MC92500 can support a DMA device to allow efficient data transfer to this RAM without interrupting the processor.

The physical interface implements the physical layer functions of the B-ISDN Protocol Reference Model. This includes the physical medium dependent functions required to transport ATM cells between the ATM user and the ATM switch (UNI) or between two ATM switches (NNI). The cells are transferred between the physical interface and the MC92500 using the UTOPIA standard.

The MC92500 implements B-ISDN UNI/NNI ATM-layer functions required to transfer cells to and from the switch over virtual connections. These functions include usage enforcement, address translation, and Operation and Maintenance (OAM) processing. The MC92500 provides context management for up to 64K Virtual Connections (VCs). The VCs can be either Virtual Path Connections (VPCs) or Virtual Channel Connections (VCCs). ATM cells belonging to a particular VCC on a logical link have the same unique Virtual Path Identifier/Virtual Channel Identifier, (VPI/VCI) value in the cell header. Similarly, cells belonging to a particular VPC on the same logical link share a unique VPI.

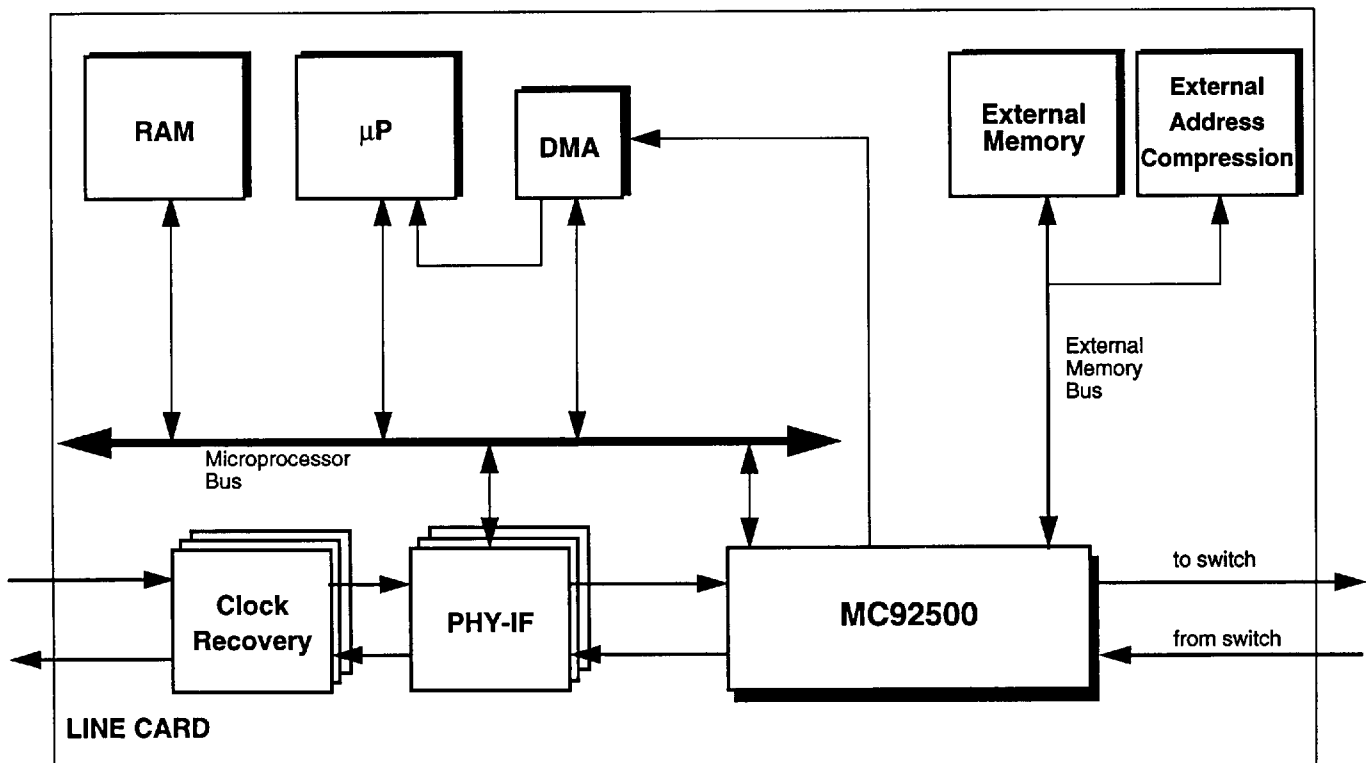


Figure 3. Typical MC92500 Line Card Application

2. SYSTEM FUNCTIONAL DESCRIPTION

2.1 Functional Description

A serial transmission link operating at up to 155.52Mbit/sec (PHY) is coupled to the MC92500 via a byte-based interface. The transmission link timing is adapted to the MC92500 and switch timing by means of internal FIFO cell buffers. A common clock will be used to supply both the PHY-IF and MC92500.

The host microprocessor initializes and provides real-time control of the data-flow chips (PHY-IF and MC92500) using slave accesses.

The MC92500 operates in conjunction with an external connection memory, which provides one context entry for each active connection. The entry consists of two types of context parameters: static and dynamic. The static parameters are loaded into the context memory when the VC is established, and are valid for the duration of that connection. Included in the static parameters are traffic descriptors, OAM flags and parameters used by the ATM switch. The dynamic context parameters, which include cell counters, UPC/NPC fields and OAM parameters, may be modified as cells belonging to that particular connection are processed by the MC92500. The microprocessor also accesses the external memory from time to time to collect traffic statistics and to update the OAM parameters. During normal cell processing, the MC92500 has exclusive access to the external memory. The context entries for the cells being processed are read and the updated dynamic parameters are written back. The MC92500 is responsible for the coherency of the external memory during this time.

At user-programmable intervals the MC92500 provides the microprocessor with a "maintenance slot", during which no cell processing is done, and relinquishes the external memory bus. The break in cell processing is made possible by the difference between the MC92500 cell-processing rate and the line rate.

The maintenance slot shall be used by the microprocessor for one or more of the following tasks:

- Connection setup and tear down
- Statistics collection
- Updating OAM parameters of active connection

The microprocessor is responsible for guaranteeing the coherence of the external memory at the end of each maintenance slot.

MC92500 Features

- Implements ATM Layer functions for Broadband ISDN according to CCITT recommendations and ATM forum user network interface specifications
- Provides a throughput capacity of up to 155 Mbit/sec in each direction
- Processes ATM cells from a SONET STS-3c, SONET STS-1, DS3 PLCP, or any other physical link running at up to 155 Mbit/sec
- Optionally supports up to 16 physical links
- Optionally configured as a User Network Interface (UNI) or Network Node Interface (NNI) on a per-link basis
- Operates in conjunction with an external memory (up to 16 MB) to provide context management for up to 64K Virtual Connections
- Provides explicit bank select signals to support up to four banks of external memory
- Provides per-connection cell counters with the ability to maintain multiple copies of the counter tables and dynamically switch between them
- Provides per-link cell counters in both directions
- Provides per-connection Usage Parameter Control (UPC) or Network Parameter Control (NPC) using a leaky bucket design with up to four buckets per connection
- Provides support for Operation and Maintenance (OAM) Continuity Check function for all connections
- Supports Virtual Path (VP) and Virtual Channel (VC) level Alarm Surveillance on all connections using an internal scan process to generate and insert OAM cells
- Supports OAM Fault Management Loopback test on all connections
- Supports bidirectional OAM Performance Monitoring on up to 64 connections
- Provides a slave microprocessor interface including a 32-bit data bus
- Provides byte-swapping on cell payloads to and from the microprocessor bus in order to support both big-endian and little-endian buses
- Supports cell insertion into the cell streams using direct access registers which may be written by the microprocessor or by a DMA device
- Supports copying cells from the cell streams using direct access registers which may be read by the microprocessor or by a DMA device
- Supports multicast operation

2. SYSTEM FUNCTIONAL DESCRIPTION

2.2 Ingress Cell Flow

In the Ingress direction, the MC92500 extracts cells from the FIFO in the PHY. Cell discrimination based on pre-defined header field values is performed to recognize unassigned and invalid cells. Cell rate decoupling is accomplished by discarding unassigned cells. Unassigned and invalid cell slots may be used to insert OAM and messaging cells into the Ingress cell flow. For VCCs, the 28-bit VPI/VCI address space (32-bit Link/VPI/VCI if multiple physical links are supported) needs to be compressed into a 16-bit Ingress Connection Identifier (ICI). The MC92500 provides a choice of two methods for performing VCC address compression to obtain the ICI: a table lookup based on reduced addressing and an external address compression option. For VPCs, the VPI field is used for a lookup into the VP Table to obtain the ICI. The ICI is a pointer used to access the context parameters for the current Ingress cell from the external context memory. Included in these parameters are cell counters, UPC/NPC traffic descriptor, OAM parameters and switch parameters.

The UPC/NPC mechanism entails counting the arriving cells and, using a flexible arrangement of traffic enforcement algorithms, admitting cells that do not violate the traffic characteristics established for that connection. Violating cells are tallied and may optionally be tagged or discarded (removed from the cell flow).

The OAM flags are used to control when and how OAM cells are processed and to indicate if the current user cell belongs to a connection that has been selected for a performance monitoring test. If the Ingress cell belongs to such a connection, the OAM table in external memory contains the relevant parameters.

Subsequent to the context processing, the Ingress cells are transferred to the Ingress switch interface. Optionally, the associated switch context parameters may be added to the cell before the header or placed in the VPI/VCI fields of the header.

2.2.1 Ingress Features

The Ingress section (Ingress refers to cells being transferred from the physical interface to the switch):

- Interfaces to one or more physical interface chips via an 8-bit wide, parity-protected receive data bus using the UTOPIA standard
- Decouples PHY timing from switch timing using independent clocks and a FIFO in the physical interface
- Performs Ingress cell discrimination based on pre-assigned ATM cell header values

- Provides either a restricted address table lookup scheme for Ingress address compression or support for an external address compression mechanism
- Reads Virtual Connection related UPC/NPC, OAM and switch context parameters through a 32-bit wide interface to an external memory
- Provides per-connection usage count
- Provides per-connection option to copy cells to the microprocessor
- Provides per-connection UPC/NPC policing including detection/counting of violating cells
- Supports OAM continuity check, alarm surveillance and loopback test on all connections
- Provides OAM performance monitoring test capabilities for selected connections
- Supports insertion of cells into the ingress cell flow
- Optionally performs VPI/VCI translation
- Forwards the received ATM cells to the switch using a UTOPIA-style interface, optionally adding associated internal switch context parameters
- Delay of 3 - 5 cell times from the PHY to the switch

2.3 Egress Cell Flow

In the Egress direction, the MC92500 receives cells from the switch along with their associated parameters, if any. One of these parameters is the Egress Connection Identifier (ECI), which is used for direct lookup into the context table to obtain the VPI/VCI, cell counters, and OAM flags. If multicast translation is enabled, the Multicast Identifier (MI) is received from the switch instead of the ECI, and the ECI is found in the multicast translation table. Cells are subject to processing as indicated by the OAM flags. If the Egress cell belongs to a connection that has been selected for a performance monitoring test, the OAM Table in external memory contains the relevant parameters.

The Egress cell header is generated by inserting the VPI/VCI-field obtained from the Address Translation Table in the Generic Flow Control (GFC)/VPI/VCI position and modifying the PTI-field if and when so indicated by the switch or in case of an OAM cell. The cell is then forwarded to the PHY queue. Cell rate decoupling is performed in the Egress direction, i.e. unassigned cells are optionally generated if no cells are available from the switch.

2. SYSTEM FUNCTIONAL DESCRIPTION

2.3.1 Egress Features

The Egress section (Egress refers to cells being transferred from the switch to the physical interface):

- Receives ATM cells and associated switch context parameters (including congestion notification) from the switch using a UTOPIA-style interface
- Provides optional multicast identifier to connection identifier translation
- Reads Egress context parameters from external memory using direct lookup
- Provides per-connection usage count
- Provides per-connection option to copy cells to the microprocessor
- Supports OAM continuity check, alarm surveillance and loopback test on all connections
- Provides OAM performance monitoring test capabilities for selected connections
- Supports insertion of cells into the egress cell flow
- Performs VPI/VCI translation

- Transfers ATM cells to one or more physical interfaces via an 8-bit wide, parity-protected transmit data bus using the UTOPIA standard
- Decouples PHY timing from switch timing using independent clocks and a FIFO in the physical interface
- Delay of 3 - 5 cell times from the switch to the PHY

2.4 Other Functions

A general 32-bit slave system interface is provided for configuration, control, status monitoring, and insertion and extraction of cells. This interface provides for direct register access to the MC92500.

The MC92500 is equipped with a standard IEEE 1149.1 boundary scan test logic.

2.5 MC92500 Block Diagram

Figure 4 contains a block diagram of the MC92500. The individual blocks will be described in this section.

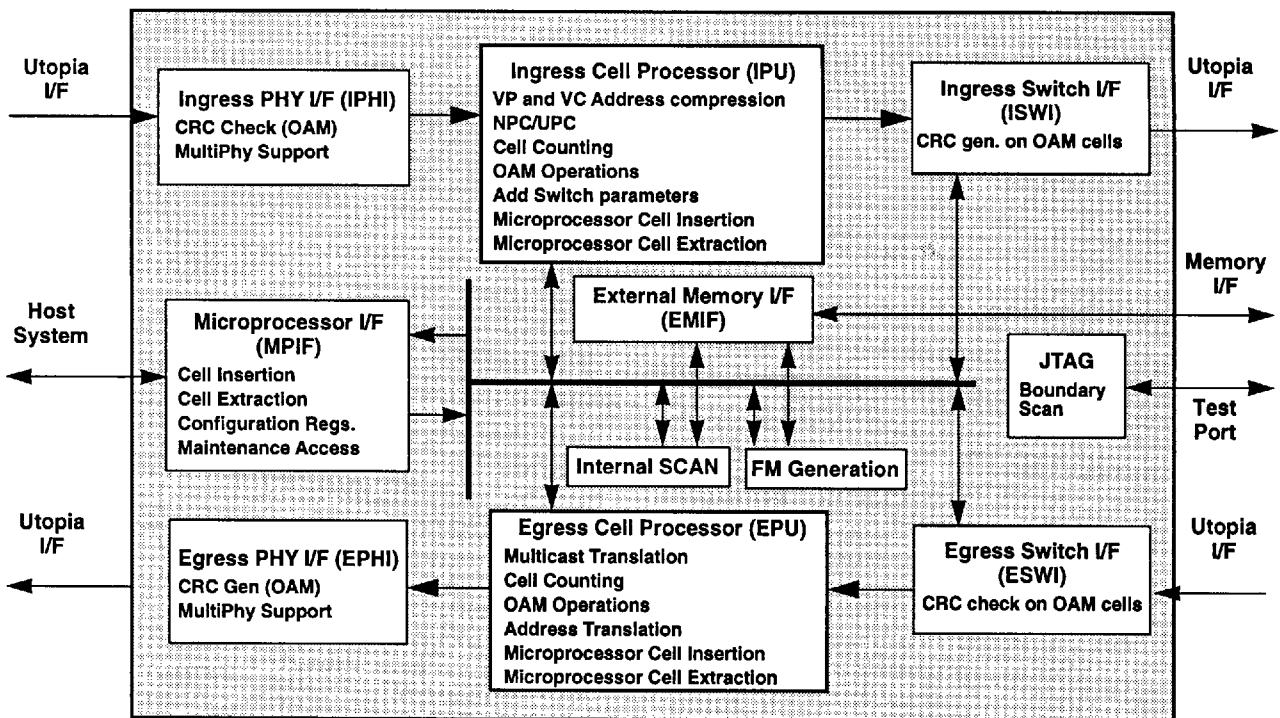


Figure 4. MC92500 Block Diagram

2. SYSTEM FUNCTIONAL DESCRIPTION

2.5.1 Ingress PHY Interface (IPHI)

The Ingress PHY Interface (IPHI) block receives cells on a byte basis from the ATM PHY layer using the UTOPIA standard interface. It assembles the cells and synchronizes their arrival to the MC92500 cell processing slots. Unassigned and invalid cells are removed to provide cell rate decoupling. Also, the MC92500 can process cells at a higher rate than the PHY provides them, so there will always be some "holes" in the cell flow. These can be used for cell insertion. If an OAM cell is received, the IPHI block also computes the CRC-10 of the cell payload, checks it against the last 10 bits of the payload (the CRC-10 field), and reports the results to the cell processing block.

2.5.2 Ingress Cell Processing Unit (IPU)

The Ingress Cell Processing Unit (IPU) operates at a rate of one cell per cell processing slot. The cell may have arrived from the IPHI block or may be inserted from the Microprocessor Interface or Internal Scan blocks. The Ingress OAM function may also insert PM Forward Monitoring cells into the Ingress cell flow. A cell may be inserted when an unused cell slot is available, subject to pacing by a simple leaky bucket algorithm.

The IPU performs address compression on cells that arrived from the IPHI block in order to associate the cell with Context Table records External Memory. The address compression function detects inactive cells (cells with no corresponding records in the Context Table).

UPC/NPC is performed on a connection basis. The UPC/NPC function may detect violating cells as dictated by the selected UPC/NPC algorithm. Violating cells will normally be tagged or discarded from the cell flow, but an option exists to perform the UPC/NPC algorithm for statistical purposes only without discarding the cells.

OAM processing is performed where appropriate. The Ingress OAM function records OAM alarm cells Alarm Indication Signal/Remote Defect Indicator (AIS/RDI). OAM processing for user cells involved in a performance monitoring block test is limited to computing the Bit-Interleaved Parity (BIP) and updating the Total User Cells (TUC) count. For OAM cells the processing may include overwriting the values of specific fields

Switch-specific overhead information is read from the context entry and added to the cell before it is sent on to the switch.

The IPU will drop from the cell flow any OAM cell that has reached its endpoint. Also, certain cells may be copied to the MPIF for transfer to the microprocessor.

2.5.3 Ingress Switch Interface (ISWI)

The Ingress Switch Interface (ISWI) block takes the processed cells from the IPU, disassembles them into bytes and transfers them to the switch. The CRC-10 field is also generated for OAM cells. The interface handshaking is UTOPIA compliant and parity type can be set via a control register.

2.5.4 Egress Switch Interface (ESWI)

The Egress Switch Interface (ESWI) block receives cells on a byte basis from the switch, assembles the cells, and synchronizes their arrival to the MC92500 cell processing slots. The ESWI block also can stop the switch when the MC92500 is filled or needs to insert a cell. The CRC-10 field is checked for OAM cells. The interface handshaking is UTOPIA compliant and parity type can be set via a control register.

2.5.5 Egress Cell Processing (EPU)

The Egress Cell Processing Unit (EPU) operates at the rate of one cell per cell processing slot. The cell may have arrived from the Egress Switch Interface Block or may be inserted from the Microprocessor Interface or Internal Scan Blocks. The Egress OAM function may also insert PM Forward Monitoring cells into the Egress cell flow. The cell insertion is paced by a simple leaky bucket algorithm.

The first stage of the Egress cell processing is performing multicast translation, if needed. Then the EPU performs OAM processing where appropriate. The Egress OAM function records OAM Alarm cells. OAM processing for user cells involved in a Performance Monitoring block test is limited to computing the bit-interleaved parity and updating the Total User Cells count. For OAM cells the processing may include over-writing the values of specific fields.

Address translation is performed to replace the address fields of the ATM cell header with the address of the outgoing link. The EPU will drop from the cell flow any OAM cell that has reached its endpoint. Also, certain cells may be copied to the MPIF for transfer to the microprocessor.

2. SYSTEM FUNCTIONAL DESCRIPTION

2.5.6 Egress PHY Interface (EPHI)

The Egress PHY Interface (EPHI) block takes the processed cells from the EPU, disassembles them into bytes and transfers them to the physical layer using the UTOPIA standard interface. Unassigned cells may be inserted to provide cell rate decoupling. The EPHI also generates the CRC-10 of the cell payload of OAM cells and places the result in the proper field of these cells.

2.5.7 External Memory Interface (EMIF)

The External Memory Interface (EMIF) block performs address generation for the MC92500 accesses to the external memory. It provides 32-bit data and 18-bit address lines along with standard memory control signals.

2.5.8 Microprocessor Interface (MPIF)

The Microprocessor Interface (MPIF) block provides for configuration of the MC92500 in addition to the transfer of cells between the microprocessor and the MC92500. A generic 68xxx - compatible 32-bit interface is provided for easy connection to a variety of microprocessor buses.

A cell extraction queue is used to store cells that are directed to the processor. Cells in this queue are transferred first to an internal cell buffer. Then they may be read by the processor.

Cells to be inserted in the Ingress or Egress flows are transferred from the processor memory to an internal cell buffer. The cells are then added to the Ingress or Egress insertion queue.

The MC92500 also provides support for transferring cells via a DMA device without the need for a processor interrupt.

2.5.9 Internal Scan (ISCAN)

The Internal Scan (ISCAN) block scans the external memory for connections on which AIS, RDI, or Continuity Check (CC) OAM cells must be inserted. When such a connection is found, the cells are generated and added to the insertion queue for the cell flow in the appropriate direction.

2.5.10 Forward Monitoring (FM)

The Forward Monitoring (FM) block provides Performance Monitoring (PM) with a connection by monitoring blocks of user cells sent between endpoints of connections or segments. Blocks of cells are delineated by Forward Monitoring Cells (FMC). Each FMC cell contains statistics about the immediately preceding block of cells. When an endpoint receives a FMC, the statistics within the cell are compared against the statistics that the endpoint generated locally across the same block. The results of the comparison are placed in a backward reporting cell which is returned to the opposite endpoint.

The MC92500 supports up to 64 bidirectional block tests simultaneously. When running a bidirectional test, FMCs are generated for one direction and checked for the other direction. At a connection endpoint, PM cell generation is supported on the connection or segment, but not on both simultaneously in order to remove the complexity of multiple PM calculations during the processing of a single cell.

3. REGISTERS DESCRIPTION

3.1 MC92500 Registers

The MC92500 registers are divided into several groups. The register groups are:

Status Reporting Registers - these registers report on the MC92500 status, and generally may be read and written by the processor in either of the MC92500 modes of operation (Setup Mode or Operate Mode).

Control Registers - these registers control the MC92500 operation, and may be read and written by the processor in either of the MC92500 modes of operation (Setup Mode or Operate Mode).

Configuration Registers - these registers are used to define the MC92500 configuration, and may be read by the processor in either of the MC92500 modes of operation (Setup Mode or Operate Mode). These registers may be written by the processor only in Setup Mode of operation.

Cell Insertion Registers - these registers are used for cell insertion into the MC92500 cell flow, and may be written by the processor when the MC92500 is in Operate Mode. In order to improve performance, the MC92500 Cell Insertion Registers receive special treatment and may be accessed without wait states.

3. REGISTERS DESCRIPTION

Cell Extraction Registers - these registers are used for copying cells from the MC92500 cell flows, and may be read by the processor when the MC92500 is in Operate Mode. In order to improve performance, the MC92500 Cell Extraction Registers receive special treatment and may be accessed without wait states.

Pseudo Registers - these registers are used to perform certain operations on the MC92500, and may be written by the processor in either of the MC92500 modes of operation (Setup Mode or Operate Mode).

External Address Compression Device - this memory space may be used by the processor to access the external address compression device. The External

Address Compression Device may be accessed when the MC92500 is in Setup Mode or during maintenance slots.

External Memory - this memory space may be used by the processor to access the External Memory. If the "Destructive" memory space is used, the MC92500 will automatically provide a write-back of zeros to each External Memory location that is read. The External Memory may be accessed when the MC92500 is in Setup Mode or during maintenance slots.

Figure 5 presents the MC92500 memory space addressable by the microprocessor using the MADD bus.

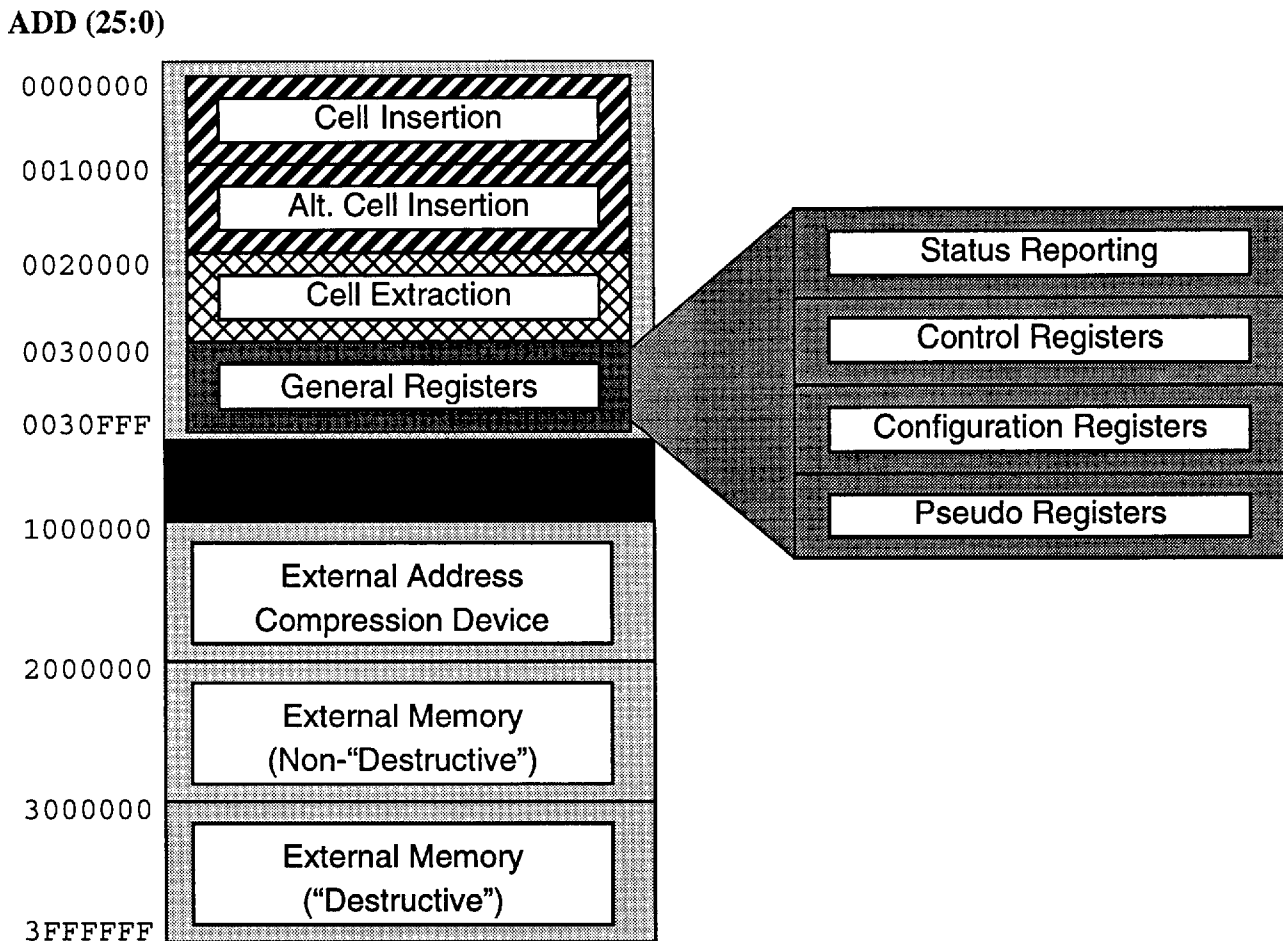


Figure 5. MC92500 Processor Memory Map

4. EXTERNAL MEMORY DESCRIPTION

4.1 MC92500 External Memory

The MC92500 uses external memory to store the database of information relating to the processing of cells on a per-connection basis. The MC92500 accesses the External Memory using 16- or 32-bit accesses (see Figure 6).

4.1.1 Memory Partitioning

The External memory is partitioned into several tables:

- Ingress Billing Counters - consists of a record for each active connection. The record contains the cell counters that are used by the connection during the normal Ingress cell flow. This table is dynamic and updated by the MC92500. The microprocessor is responsible for collecting the contents of the counters on a regular basis.
- Egress Billing Counters - consists of a record for each active connection. The record contains the counters that are used by the connection during the normal Egress cell flow. This table is dynamic and updated by the MC92500. The microprocessor is responsible for collecting the contents of the counters on a regular basis.
- Flags Table - consists of a record for each active connection. The record contains OAM flags that are used by all the connections during the normal cell flow. This table is dynamic and updated by the MC92500. The microprocessor is responsible for checking the flags on a regular basis
- Context Parameters Table - consists of a record for each active connection. The record contains connection-specific information for processing and routing the cells belonging to the connection.
- Ingress Policing Counters - consists of a record for each active connection. The record contains the counters that are used to record the results of the UPC/NPC policing. This table is dynamic and updated by the MC92500. The microprocessor is responsible for collecting the contents of the counters on a regular basis.
- VC Table - contains a list of all the Ingress Connection Identifiers (ICIs) that have been defined by the microprocessor as active Virtual Channel Connections. This table exists only if the Table Lookup method of Address Co
- Multicast Translation Table - contains the Egress Connection Identifiers (ECIs) associated with the multicast identifiers.
- OAM Table - contains the additional information required to run OAM Performance Monitoring.
- VP Table(s) - each record contains an Ingress Connection Identifier (ICI) that has been defined by the microprocessor as an active connection. The size and location of the VP Table are determined by the Link Register. If multiple links are supported, each Link Register defines a separate VP Table. The multiple VP Tables are not required to be contiguous.
- Dump Vector Table - contains the dump vectors describing the recent history of the cell processing.
- This table would generally only be used for debugging purposes.
- Egress Link Counters - consists of a record for each link. The record contains the cell counters that are used by the link during the normal Egress cell flow. This table is dynamic and updated by the MC92500. The microprocessor is responsible for collecting the contents of the counters on a regular basis.
- Ingress Link Counters - consists of a record for each link. The record contains the cell counters that are used by the link during the normal Ingress cell flow. This table is dynamic and updated by the MC92500. The microprocessor is responsible for collecting the contents of the counters on a regular basis.
- Virtual Bucket Table - each record in this table contains the information for the UPC/NPC enforcement. This is not a physical table, but a virtual one. Since the Parameters Table contains a full address for the location of the Bucket record of each connection, there is no need to put all the Bucket records in consecutive physical locations. Although the user can distribute the records in any manner.

4. EXTERNAL MEMORY DESCRIPTION

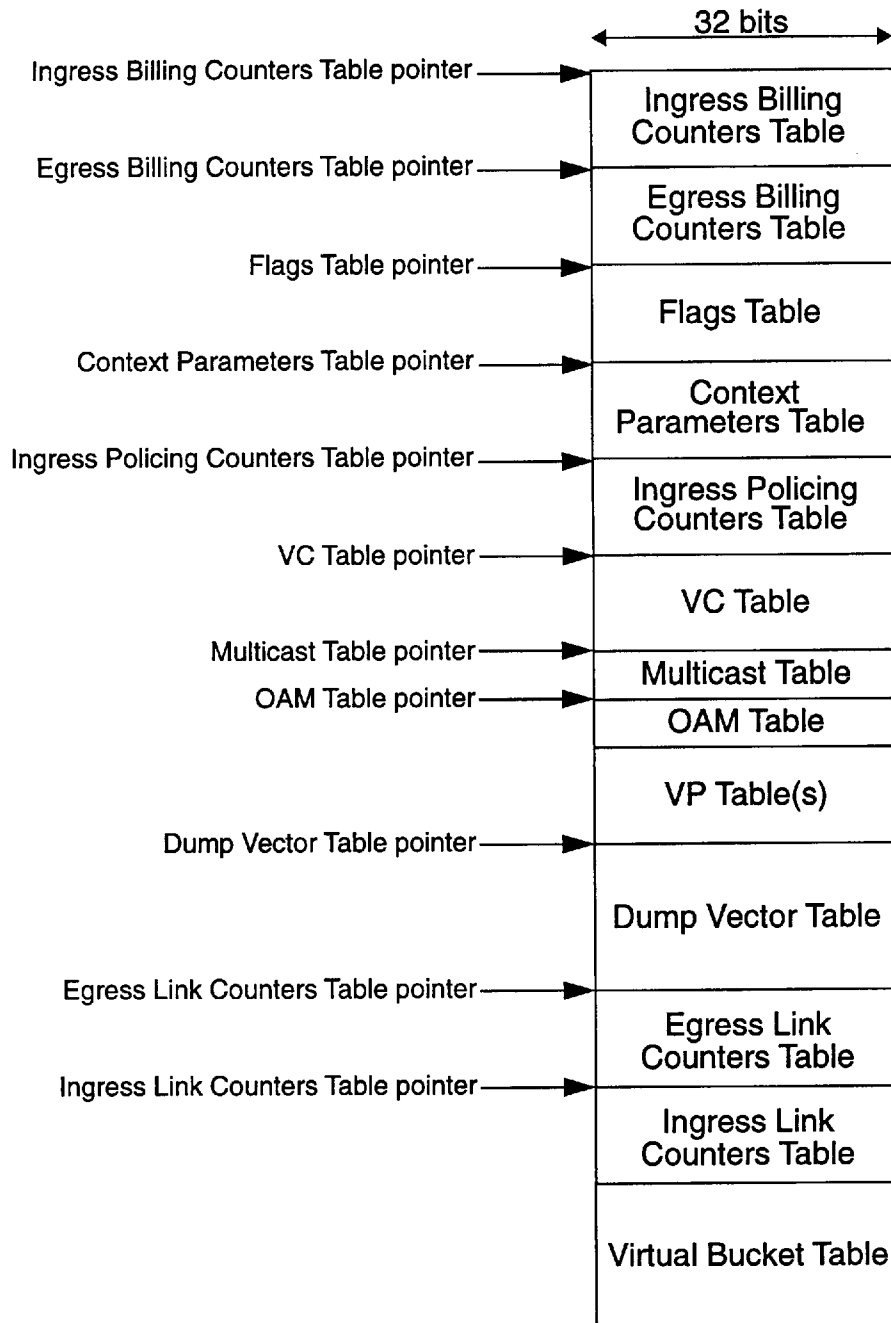


Figure 6. External Memory Partitioning

5. SIGNAL DESCRIPTION

5.1 Functional Signal Groups

This section contains brief descriptions of the input and output signals in their functional groups, as shown in Figure 7. Each signal is explained briefly.

5.2 Ingress PHY Signals

The following signals relate to the PHY interface that is connected to the PHY chip(s) using the UTOPIA standard. All of the input signals are sampled at the rising edge of ACLK, and all of the output signals are updated at the rising edge of ACLK.

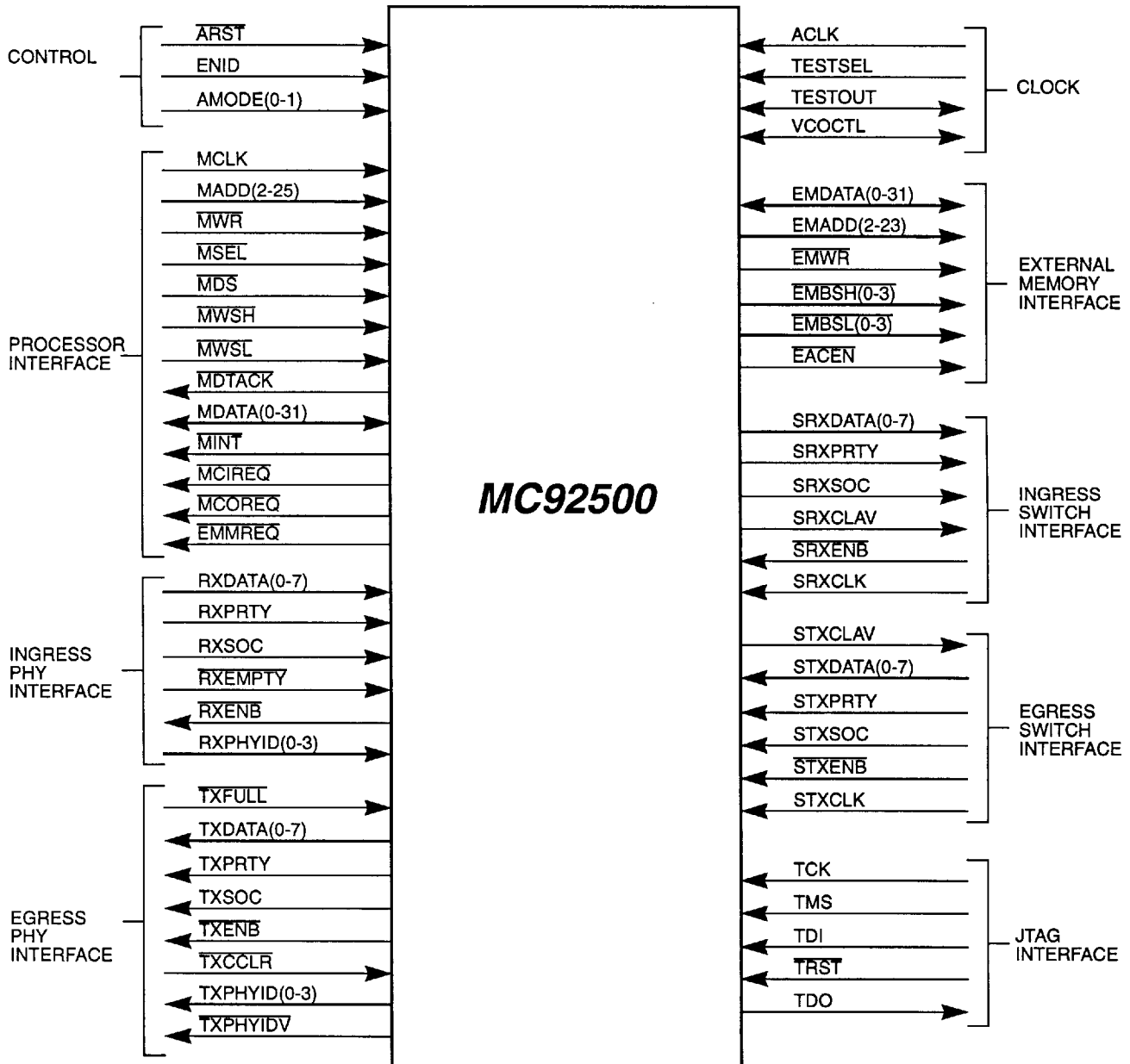


Figure 7. Functional Signal Groups

5. SIGNAL DESCRIPTION

Receive Data Bus (RXDATA0 - RXDATA7)

This input data bus receives octets from the PHY chip. When \overline{RXENB} is active, RXDATA is sampled into the MC92500.

Receive Data Bus Parity (RXPRTY)

This input is the odd parity over RXDATA. This input is ignored if \overline{RXENB} was not active or the parity check is disabled.

Receive Start Of Cell (RXSOC)

This input, when high, indicates that the current RXDATA is the first byte of a cell. This input is sampled when \overline{RXENB} is active.

Receive PHY Empty ($\overline{RXEMPTY}$)

This input, when low, indicates that currently the PHY chip has no available data.

Receive Enable (\overline{RXENB})

This output, when low, indicates that the MC92500 is ready to receive data.

Receive PHY ID (RXPHYID0 - RXPHYID3)

This input bus indicates the ID number of the PHY device currently transferring data to the MC92500. If only a single PHY device is supported, this bus should be tied low. This bus is sampled along with the first octet of each cell.

5.3 Egress PHY Signals

The following signals relate to the PHY interface that is connected to the PHY chip(s) using the UTOPIA standard. All of the input signals are sampled at the rising edge of ACLK, and all of the output signals are updated at the rising edge of ACLK.

Transmit Data Bus (TXDATA0-TXDATA7)

This output data bus transmits octets to the PHY chip. When \overline{TXENB} is active, TXDATA contains a valid octet for the PHY.

Transmit Data Bus Parity (TXPRTY)

This output signal is the odd parity over TXDATA. When \overline{TXENB} is active, TXPRTY is a valid parity bit for the PHY.

Transmit Enable (\overline{TXENB})

This output signal, when low, indicates that TXDATA, TXPRTY, and TXSOC are valid data for the PHY.

Transmit Start Of Cell (TXSOC)

This output signal indicates, when high, that the current data on TXDATA is the first byte of a cell. TXSOC is valid when \overline{TXENB} is asserted.

Transmit PHY Full (\overline{TXFULL})

This input signal indicates, when low, that the PHY device is full.

Transmit Cell Clear (\overline{TXCCLR})

This input signal indicates, when low, that the current cell should be cleared from the Egress PHY interface.

Transmit PHY ID (TXPHYID0 - TXPHYID3)

This output bus indicates the ID number of the PHY device to which either the current cell or the next cell is directed.

Transmit Next PHY ID Valid ($\overline{TXPHYIDV}$)

This output signal, when low, indicates that TXPHYID (when configured as the next cell's ID) is valid. If TXPHYID is configured to refer to the current cell, $\overline{TXPHYIDV}$ is not used.

5.3.1 Ingress Switch Interface Signals

The following signals relate to the Ingress switch interface. All of the input signals are sampled at the rising edge of SRXCLK, and all of the output signals are updated at the rising edge of SRXCLK.

Receive Clock (SRXCLK)

This input signal is used to clock the ingress switch interface signals.

Receive DATA BUS (SRXDATA0-SRXDATA7)

This output data bus transmits bytes to the switch. When \overline{SRXENB} is active, SRXDATA contains valid data for the switch. This bus is updated on the rising edge of SRXCLK.

Receive Data Bus Parity (SRXPRTY)

This output is the parity protection of SRXDATA transmitted to the switch. It is output on the rising edge of SRXCLK.

5. SIGNAL DESCRIPTION

Receive Start Of Cell (SRXSOC)

This output, when high, indicates that the current data on SRXDATA is the first byte of a cell structure (including the overhead bytes). It is output on the rising edge of SRXCLK.

Receive Switch Cell Available (SRXCLAV)

This output, when asserted, indicates that the MC92500 has a cell ready to transfer to the switch. When negated, it indicates that currently there is no data available for the switch. It is output on the rising edge of SRXCLK.

Receive Enable ($\overline{\text{SRXENB}}$)

This CMOS-level input, when low, enables new values on SRXDATA, SRXPRTY and SRXSOC. This input is sampled on the rising edge of SRXCLK.

5.3.2 Egress Switch Interface Signals

The following signals relate to the Egress switch interface. All of the input signals are sampled at the rising edge of STXCLK, and all of the output signals are updated at the rising edge of STXCLK.

Transmit Clock (STXCLK)

This input signal is used to clock the egress switch interface signals.

Transmit Data Bus (STXDATA0 - STXDATA7)

This CMOS-level input data bus receives bytes from the switch. When $\overline{\text{STXENB}}$ is asserted, STXDATA is sampled into the MC92500 on the rising edge of STXCLK.

Transmit Data Bus Parity (STXPRTY)

This CMOS-level input is the parity over STXDATA. This input is ignored if $\overline{\text{STXENB}}$ is negated or the parity check is disabled. It is sampled on the rising edge of STXCLK.

Transmit Start Of Cell (STXSOC)

This CMOS-level input indicates, when high, that the current data is the first byte of a cell structure (including the overhead bytes). This input is sampled on the rising edge of STXCLK when $\overline{\text{STXENB}}$ is asserted.

Transmit Enable ($\overline{\text{STXENB}}$)

This CMOS-level input, when low, enables STXDATA, STXPRTY, and STXSOC. It is sampled on the rising edge of STXCLK.

Transmit Cell Available (STXCLAV)

This output, when asserted, indicates that the MC92500 is prepared to receive a complete cell. It is output on the rising edge of STXCLK.

5.4 External Memory Signals

The following signals relate to the External memory interface.

External Memory Data Bus (EMDATA0-EMDATA31)

This three-state bidirectional bus provides the data path between the MC92500 and the External Memory.

External Memory Address Bus (EMADD2-EMADD23)

This output bus provides the general address bus which is used by the MC92500 in its accesses to the External Memory.

External Memory Write ($\overline{\text{EMWR}}$)

This output signal indicates that the current cycle to the External Memory is a write cycle. This signal is active low and is asserted within the cycle.

External Memory Bank Select High ($\overline{\text{EMBSH0}}$ - $\overline{\text{EMBSH3}}$)

These output signals are used to select the high word of the appropriate memory bank. One or more of these signals is asserted for each External Memory access according to the value of EMADD. During a maintenance write access from the microprocessor, the value detected on $\overline{\text{MWSH}}$ is driven on the appropriate $\overline{\text{EMBSH}}$ signal. These signals are active low.

External Memory Bank Select Low ($\overline{\text{EMBSL0}}$ - $\overline{\text{EMBSL3}}$)

These output signals are used to select the low word of the appropriate memory bank. One or more of these signals is asserted for each External Memory access according to the value of EMADD. During a maintenance write access from the microprocessor, the value detected on $\overline{\text{MWSL}}$ is driven on the appropriate $\overline{\text{EMBSL}}$ signal. These signals are active low.

External Address Compression Enable ($\overline{\text{EACEN}}$)

This output signal is asserted when data is being written to or read from an external address compression device using the External Memory Data Bus. This signal is active low.

5. SIGNAL DESCRIPTION

5.4.1 Control Signals

These signals are used to control the MC92500.

ATMC Power-Up Reset ($\overline{\text{ARST}}$)

This input signal is used for power-up reset of the entire chip. It must be asserted for at least the time required by the PLL.

Enable IDD (ENID)

This pin must be included in the CSP. It is used for test purposes. In normal usage the ENID pin must be grounded.

ATMC Mode (AMODE)

These are dedicated test signals which must be grounded during normal system operation.

5.4.2 Microprocessor Signals (MP)

The following signals relate to the microprocessor interface.

MP Clock (MCLK)

This input signal is used as the Microprocessor clock inside the MC92500. This signal drives the microprocessor logic in the MC92500. The duty cycle should be in the range of 40-60%.

MP Data Bus (MDATA0-MDATA31)

This three-state bidirectional bus provides the general data path between the MC92500 and the microprocessor.

MP Address Bus (MADD2-MADD25)

This input bus contains the address which is used by the microprocessor to define the register being accessed. This bus is used by the MC92500 at the assertion of $\overline{\text{MSEL}}$ and sampled on the falling edge of MCLK.

MP Select ($\overline{\text{MSEL}}$)

This input signal is used to determine that the current access to the MC92500 is valid. This signal is active low and sampled by the MC92500 on the falling edge of MCLK.

MP Data Select ($\overline{\text{MDS}}$)

This input signal is used to indicate when the data on MDATA is valid during a write access to the MC92500. This signal is active low and sampled by the MC92500 on the falling edge of MCLK.

MP Write ($\overline{\text{MWR}}$)

This input signal is used to determine whether the MP is reading from the MC92500 or writing to it. This signal is active low and sampled by the MC92500 on the falling edge of MCLK. The MC92500 will drive MDATA and MPRTY when $\overline{\text{MSEL}} = 0$ and $\overline{\text{MWR}} = 1$.

MP Word Select High ($\overline{\text{MWSH}}$)

This input signal indicates that the high word is being accessed. During a maintenance access, the value detected on $\overline{\text{MWSH}}$ is driven on the appropriate $\overline{\text{EMBSH}}$ signal. This signal is active low and sampled by the MC92500 on the falling edge of MCLK.

MP Word Select Low ($\overline{\text{MWSL}}$)

This input signal indicates that the low word is being accessed. During a maintenance write access, the value detected on $\overline{\text{MWSL}}$ is driven on the appropriate $\overline{\text{EMBSL}}$ signal. This signal is active low and sampled by the MC92500 on the falling edge of MCLK.

Note: All Cell Extraction Register, Cell Insertion Register, and General Register accesses are long-word (32-bit) accesses, so both $\overline{\text{MWSH}}$ and $\overline{\text{MWSL}}$ should be asserted low for these accesses.

MP Data Acknowledge ($\overline{\text{MDTACK}}$)

This three-state output signal is used to indicate when the data on MDATA is valid during a read access from the MC92500 or when the data has been sampled during a write access to the MC92500. At the end of each access, this signal is actively pulled up and then released. The user may program the MC92500 not to drive $\overline{\text{MDTACK}}$ during certain types of accesses. This signal is active low and is output asynchronously to MCLK.

MP Interrupt ($\overline{\text{MINT}}$)

This output signal is used to notify the microprocessor of the occurrence of interrupting events. This signal is asserted on the rising edge of ACLK (asynchronous with respect to MCLK).

MP Cell In Request ($\overline{\text{MCIREQ}}$)

This output signal may be used by an external DMA device as a control line indicating when to start a new cell insertion cycle into the MC92500. This signal is asserted whenever the Cell Insertion Register array is available to be written. This signal is active low and is output on the falling edge of MCLK.

5. SIGNAL DESCRIPTION

MP Cell Out Request ($\overline{\text{MCOREQ}}$)

This output signal may be used by an external DMA device as a control line indicating when to start a new cell extraction cycle from the MC92500. This output is asserted whenever the Cell Extraction Register array is available to be read. This signal is active low and is output on the falling edge of MCLK.

External Memory Maintenance Request ($\overline{\text{EMMREQ}}$)

This output signal is asserted a programmable number of clock cycles before the start of an external memory maintenance cycle. It is negated after a programmable number of maintenance accesses have been performed. This signal is active low and is output on the falling edge of MCLK.

5.4.3 Clock Signals

The following signals are connected to the analog PLL macro which must be used in the MC92500 ACLK.

This input signal is used by the PLL to generate the internal master clock of MC92500. The duty cycle should be in the range of 40-60%.

TESTSEL

This is a dedicated test signal which must be grounded during normal system operation.

TESTOUT

This is a dedicated output test signal.

VCOCTL

This is a dedicated test signal which must be connected to the analog ground during normal system operation.

5.4.4 JTAG Interface Test Signals

Test Clock (TCK)

This input pin is the JTAG clock. The TDO, TDI, and TMS pins are synchronized by this pin.

Test Mode Select (TMS)

This input pin is sampled on the rising edge of TCK. TMS is responsible for the state change in the test access port state machine.

Test Data Input (TDI)

This input pin is sampled on the rising edge of TCK. TDI is the data to be shifted toward the TDO output.

Test Data Output (TDO)

This three-state output pin changes its logical value on the falling edge of TCK.

Test Reset ($\overline{\text{TRST}}$)

This input pin is the JTAG asynchronous reset. When asserted low, the test access port is forced to the Test_Logic_Reset state. When JTAG is not being used, this signal should be tied to $\overline{\text{ARST}}$ or hard-wired to GND.

6. INGRESS DATA PATH OPERATION

6.1 Ingress Data Path

The ingress data path includes the following steps:

1. Cell assembly from physical layer
2. Address compression
3. Context Table lookup
4. Cell counting
5. UPC/NPC processing
6. Cell insertion
7. OAM processing
8. Appending switch overhead information and address translation
9. Transfer to switch

The cell flow through these steps is shown in Figure 8. Each step is described in the subsections below. During the processing, the decision can be made to remove a cell from the cell flow based on the connection parameters or the OAM processing, among other reasons. Such a cell may be copied to the cell extraction queue.

6. INGRESS DATA PATH OPERATION

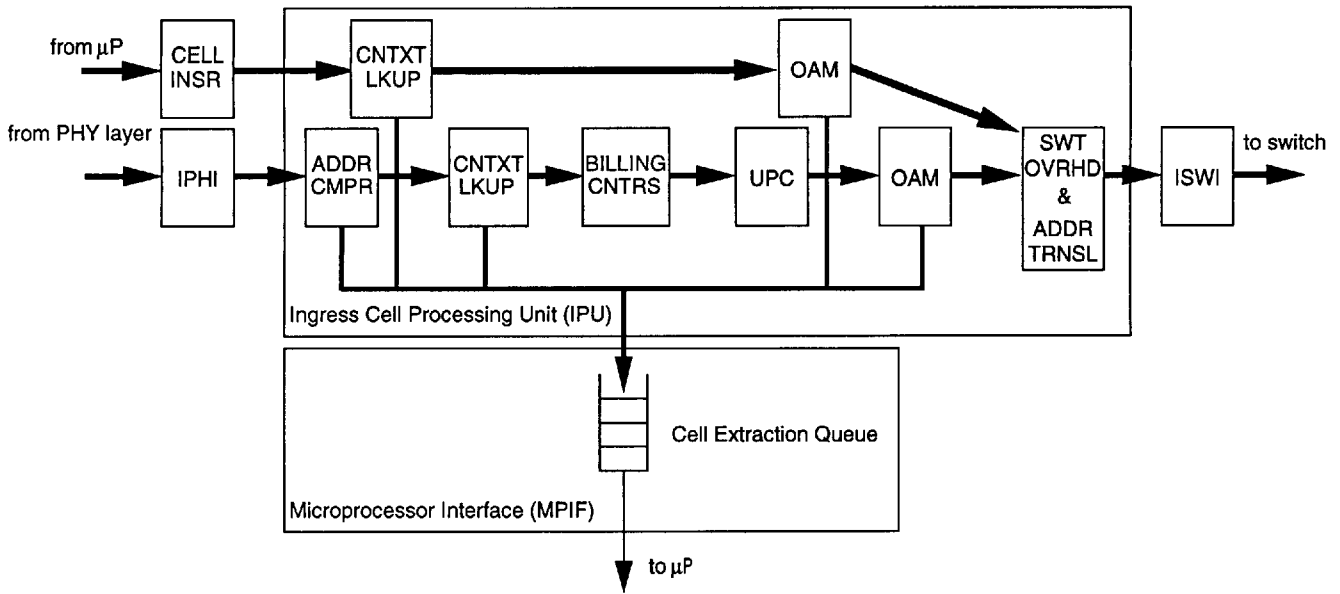


Figure 8. Ingress Data Path

6.2 Interface to Physical Layer - Cell Assembly

The Ingress Physical-Layer Interface (IPHI) block receives cell data from the physical layer using the UTOPIA standard interface. The bytes are assembled into cells since the MC92500 processing is on a cell basis. The cells are held in a FIFO and are read one per cell slot by the cell processing block.

The input data pins are parity protected. Parity checking by the MC92500 is optional.

The Header Error Correction (HEC) received from the physical layer is not checked by the MC92500, and it is discarded from the cell.

Since the MC92500 processes cells at a higher rate than they are received from the physical layer, the IPHI block cannot assemble a cell during every cell processing slot. When no complete cell is available, the IPHI block informs the Ingress Cell Processing block (IPU), and a hole is inserted in the cell flow through the MC92500.

The IPHI block checks the cell header and recognizes the "unassigned" and "invalid" header values defined in Tables 1 and 2.

Table 1. Pre-assigned Header Values at the UNI

| Use | GFC | VPI | VCI | PTI | CLP |
|----------------------------------|------|----------|-------------------|-----|-----|
| Unassigned cell | XXXX | 00000000 | 00000000 00000000 | XXX | 0 |
| Invalid pattern at the ATM layer | XXXX | 00000000 | 00000000 00000000 | XXX | 1 |

X= don't care bit

Table 2. Pre-assigned Header Values at the NNI

| Use | VPI | VCI | PTI | CLP |
|-----------------|---------------|-------------------|-----|-----|
| Unassigned cell | 0000 00000000 | 00000000 00000000 | XXX | 0 |

X= don't care bit

6. INGRESS DATA PATH OPERATION

6.3 Address Compression

The purpose of the ingress address compression is to map the address field(s) in the header of the received cell into a pointer to the entry in the Context Table that relates to the cell's virtual connection. The MC92500 supports two types of service, Virtual Path switching service and Virtual Channel switching service. For VP switching the address is the Virtual Path Identifier (VPI) field of the cell header. For VC switching the address consists of both the VPI and the Virtual Channel Identifier (VCI) fields of the cell header.

When the MC92500 supports multiple PHY layer devices, the mapping of ATM addresses to Context Table entries must be done separately for each PHY layer link. For this purpose, the number of the link from which a cell arrived can be treated as an additional address field. In this case a VP switching address consists of the Link/VPI fields, and a VC switching address consists of the Link/VPI/VCI fields.

Cells that are inactive, i.e. for which no valid connection is found during address compression, are removed from the cell flow and copied to the Cell Extraction Queue.

Address Compression Options

The MC92500 supports two methods for performing address compression:

1. Table lookup using restricted address spaces
2. External address compression

Table Lookup

When some of the bits of the VPI and/or VCI are not allocated, the address range can be reduced enough to make a table lookup scheme practical.

External Address Compression

The external address compression method allows the user total flexibility in performing the ingress address compression.

6.4 Cell Counting

If the processed cell was received from the physical layer (not inserted internally), one of the connection cell counters from the Ingress Billing Counters Table is incremented, unless the table does not exist. One of the link cell counters from the Ingress Link Counters Table is also incremented if the table exists. The appropriate counter is chosen based on the CLP bit and whether the cell is an OAM cell.

UPC/NPC

One of the major advantages of ATM is the ability to dynamically distribute the available bandwidth among many connections. However, it is this feature that makes congestion in an ATM network difficult to predict. In order to make the network management feasible, limits are imposed on the traffic parameters of each connection. Typically, the maximum average bandwidth and the maximum burstiness may be defined.

Even when the usage parameters have been defined, a single user that does not stick to the agreed-upon parameters can cause congestion which will lead to a reduction in the quality of service provided to the other users. Therefore, the usage parameters should be enforced at the entrance to the network in such a way that the violating user is the one who suffers reduced quality of service. This enforcement is called Usage Parameter Control (UPC) at a User-Network Interface (UNI) and is called Network Parameter Control (NPC) at a Network-Network Interface (NNI).

The MC92500's UPC/NPC algorithm, based on the concept of "leaky buckets", detects cells that violate the traffic agreement and optionally tags (i.e. changes CLP-field from 0 to 1) or discards (removes from the cell flow) violating cells. A flexible arrangement of leaky buckets (0 to 4 per connection), leaky bucket parameters and UPC/NPC enforcement algorithms is provided for all connections. At connection set-up time a set of bucket characteristics is loaded into the Bucket Table section of context memory. This defines the expected cell arrival pattern on a particular connection, and it is used by the UPC/NPC function as a means of enforcing the agreed-upon user traffic.

Note: For constant bit rate and variable bit rate connections the bucket characteristics are normally defined when the connection is setup and remain constant. However, other types of connections may require dynamic UPC/NPC enforcers where the processor updates these values while the connection is active. Caution is advised when doing so in order to maintain consistency among the various parameters of the enforcer.

All user data cells that have not been removed from the cell flow are subject to UPC/NPC processing according to the parameters of their connection. Counts of the cells that have been discarded or tagged are optionally maintained per connection in the Ingress Policing Counters Table.

6. INGRESS DATA PATH OPERATION

A “don't touch” option is provided to apply the UPC/NPC algorithm for statistical purposes without tagging or discarding the violating cells.

A UPC/NPC mechanism can be used to enforce the sum of several connections by simply placing the identical bucket pointer in the Common Parameters word of each of the connections. This method is likely to be used at the boundary point where many VCCs are combined into a VPC.

6.5 Ingress Cell Insertion

The MC92500 makes use of the holes in the cell flow provided by the IPHI block (whether due to the difference between the cell processing and arrival rates or the reception of unassigned or invalid cells) to insert cells into the ingress cell flow. The cell insertion rate is paced by a single leaky bucket to ensure that the switch is not flooded with inserted cells beyond its capacity.

The types of cells that can be inserted in the ingress cell flow are:

- OAM cells generated internally by the MC92500 including:
 - AIS cells
 - RDI cells
 - Continuity Check cells
 - PM Forward Monitoring cells
- OAM cells generated by the microprocessor
- Other cells generated by the microprocessor

The various types of cells that can be inserted in the ingress cell flow are classified by their insertion priority and held in separate queues. The insertion priorities are (from highest to lowest):

1. PM Forward Monitoring cells generated internally by the MC92500
2. Cells from the microprocessor
3. AIS, RDI, and CC cells generated internally by the MC92500

6.6 Switch Overhead Information

The MC92500 optionally performs address translation on the Ingress cell flow. The new address fields are taken from the Ingress Translation Address word of the Context Parameter Table in the External Memory.

The source of the switch overhead information provided by the MC92500 is the Context Parameters Table entry for the connection. The overhead bytes are transferred before the cell, most-significant byte first (left-to-right in the tables).

6.7 Transfer to Switch

The Ingress Switch Interface (ISWI) block receives cells from the Cell Processing block, queues them, and transfers the data structure to the switch.

The switch interface signals are identical to the UTOPIA Level 1 Receive Interface with the MC92500 playing the role of the PHY layer and the switch playing the role of the ATM layer. The switch interface signals are clocked by an independent clock signal, SRXCLK. The switch is required to accept cells from the MC92500 when they are presented on the interface with a delay of up to one cell slot for synchronization. Note that the cells may be presented at a higher rate than they are received from the PHY layer due to cell insertion. The switch must be capable of receiving the cells at a sustained rate of one cell per cell slot. Otherwise, the cells may back up in the MC92500, processing will be halted, and cells will not be accepted from the PHY layer. Although the maximum sustained rate is one cell per cell slot, the rate can be limited by the insertion pacing mechanism.

7. EGRESS DATA PATH OPERATION

7.1 Egress Data Path

The egress data path includes the following steps:

1. Transfer from switch
2. Multicast identifier translation (if necessary)
3. Cell insertion
4. Context Table lookup
5. OAM processing
6. Address translation
7. Cell Counting
8. Transmission to the physical layer

The cell flow through these steps is shown in Figure 9. Each step is described in the subsections below. During the processing, the decision can be made to remove a cell from the cell flow for any of several reasons. Such a cell may be copied to the Cell Extraction Queue.

7.1.1 Transfer from Switch

The Egress Switch Interface (ESWI) block contains a cell FIFO. Data is received from the switch at the rate of one byte per clock cycle. The data structure received from the switch includes overhead routing information in addition to the ATM cell. When a full cell has been

transferred, it is transformed into an internal data structure and presented to the Egress Cell Processing block.

The switch interface signals are identical to the UTOPIA Level 1 Transmit Interface with the MC92500 playing the role of the PHY layer and the switch playing the role of the ATM layer. The switch interface signals are clocked by an independent clock signal, STXCLK.

The input signal STXSOC is used to delineate the beginning of a cell. The input data pins are parity protected.

The ESWI block contains a small cell FIFO to assemble the bytes received from the switch and synchronize the cells to the cell processing time of the Egress Cell Processing block. The FIFO is read by the Cell Processing block at a rate which is limited by the PHY layer and by cell insertion. When the ESWI FIFO is full, the MC92500 refuses to accept a cell from the switch by asserting STXCLAV.

The number of bytes in the cell data structure received from the switch is programmable.

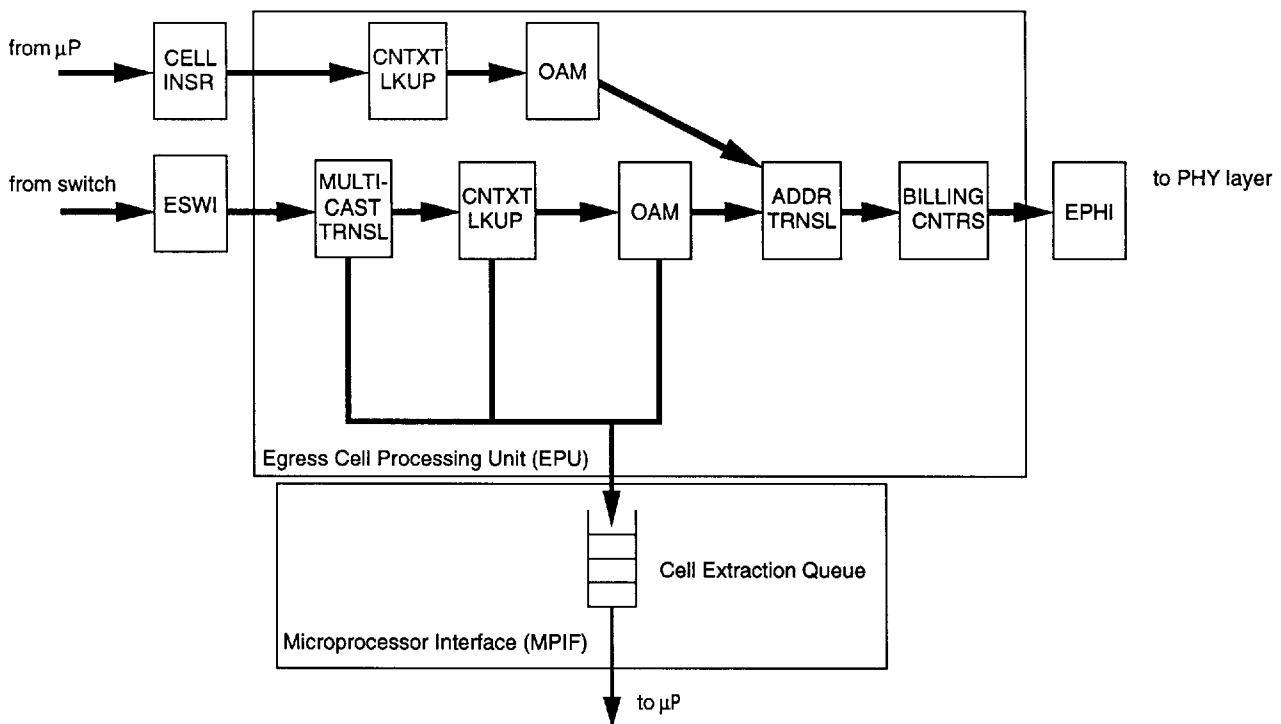


Figure 9. Egress Data Path

7. EGRESS DATA PATH OPERATION

The bytes are provided by the switch in the following order:

1. Overhead bytes (number determined by ESNB)
2. ATM Cell Header (4 bytes; PTI, CLP valid; VCI valid if VP switching)
3. HEC octet (provided only if ESHF is set) - this octet may be used for overhead information since no HEC value is stored in the internal data structure
4. ATM cell payload (48 bytes)

The fields that are contained in the overhead bytes are:

- Egress Connection Identifier (ECI) / Multicast Identifier (MI)
- Multicast bit (M)
- Explicit Forward Congestion Indication (EFCI)
- Multicast Translation Table Section (MTTS)

The location of these fields in the overhead, header and HEC bytes is programmable. Once the valid fields have been retrieved, the remaining overhead bytes received from the switch will be discarded since they are of no use to the MC92500 and are not transferred to the PHY layer.

7.1.2 Multicast Identifier Translation

Multicasting involves copying a cell that arrived at the switch and transmitting it on multiple physical links. In the general case the ECI of the connection to which the cell belongs will be different on each link. If the switch can provide the correct ECI to each ATMC device, the multicast operation is transparent to the MC92500. However, if the switch cannot provide separate ECIs for each link, a common multicast identifier may be provided to all of the ATMC devices. Each MC92500 will translate the multicast identifier into the ECI for its physical link.

7.1.3 Egress Cell Insertion

In order to insert cells into the egress cell flow, the MC92500 creates holes in the cell flow received from the switch interface block by not taking a cell from the FIFO. Inserting many cells in a short period of time may overload the switch's queueing capability. Therefore, the cell insertion rate is regulated by a leaky bucket.

The types of cells that can be inserted in the egress cell flow are:

- OAM cells generated internally by the MC92500 including:
 - AIS cells
 - RDI cells

- Continuity Check cells
- PM Forward Monitoring cells

- OAM cells generated by the microprocessor
- Other cells generated by the microprocessor
- Cells generated by the Customer-Specific Logic

The various types of cells that can be inserted in the egress cell flow are classified by their insertion priority and held in separate queues. The insertion priorities are (from highest to lowest):

1. PM Forward Monitoring cells generated internally by the MC92500
2. Cells from the microprocessor
3. AIS, RDI, and CC cells generated internally by the MC92500
4. Cells from the Customer-Specific Logic

7.1.4 Address Translation

The address fields of the cell header are optionally replaced by the outgoing address of the outgoing link as read from the Egress Translation Address word of the Context Parameter Table. If the cell belongs to a VPC, only the VPI field is replaced. If the cell belongs to a VCC, both the VPI and VCI fields are replaced.

The MC92500 sets the middle bit of the PTI on cells whose received PTI is 000 or 001 when the EFCI bit received from the Egress switch interface block is set.

7.1.5 Cell Counting

For each cell transmitted to the PHY layer, one of the counters from the Egress Billing Counters Table for this connection is incremented, unless the table does not exist. One of the link cell counters from the Egress Link Counters Table is also incremented if the table exists. The appropriate counter is chosen based on the CLP bit and whether the cell is an OAM cell. Cells that are removed from the cell flow are not included in the usage counts. Inserted cells and internally generated cells are included in the usage counts.

7.1.6 Transmission to Physical Layer

The Egress Physical-Layer Interface (EPHI) block receives cells from the Cell Processing block, queues them, and transmits the cell data to the physical layer using the UTOPIA standard interface.

The cells are then stored in a FIFO and are disassembled into bytes for transmission to the physical layer.

Since the MC92500 processes cells at a higher rate than they are transmitted to the physical layer, the EPHI block cannot transfer a cell during every cell processing

7. EGRESS DATA PATH OPERATION

slot. Over time, cells may accumulate in the EPHI FIFO until it is full. When this happens, the MC92500 will not process a cell during the next cell processing slot, allowing the FIFO to drain to the physical layer.

TXPRTY is always driven with odd parity over

TXDATA, regardless of whether or not parity checking is enabled on the Ingress PHY Interface.

The fifth octet of the transmitted cell (the HEC field) is always transmitted as zero, regardless of the value passed to the MC92500 by the switch interface block.

8. SYSTEM OPERATION

8.1 MC92500 Modes of Operation

The MC92500 has two basic modes of operation, Setup Mode and Operate Mode. After reset, the MC92500 is in Setup Mode. Switching to Operate Mode is accomplished by writing to a pseudo-register.

8.1.1 Setup Mode

The MC92500 enters Setup Mode after reset. This mode of operation is used to configure the MC92500 and to initialize the external memory. While in Setup Mode, the MC92500 does not use the External Memory, in order to provide the microprocessor and/or DMA device with unrestricted access to the External Memory. Additionally, those registers identified as configuration registers may be written only when the MC92500 is in Setup Mode. A write access to any of these registers in Operate Mode is forbidden.

When the MC92500 is in Setup Mode, the Receive PHY Interface is disabled by keeping the \overline{RXENB} output signal negated. No cells are read from the Egress switch interface block. No cells will be provided to the Ingress switch interface block. Cell insertion is not allowed in Setup Mode.

Once the MC92500 has switched from Setup Mode to Operate Mode, it will not return to Setup Mode until a hardware or software reset is performed.

8.1.2 Operate Mode

While in Operate Mode, the MC92500 processes the cells received from the PHY layer and the switch interface block. The configuration registers may be read, but not written, when the MC92500 is in Operate Mode.

8.1.3 Reset

The MC92500 can be reset in either of two ways: hardware reset by asserting the ATMC Power-Up Reset (\overline{ARST}) pin or software reset by writing to the Software Reset Register (SRR). In either case all the internal registers will be loaded with their default values. The reset process requires 200 ACLK cycles or 200 MCLK cycles, whichever is greater, after the negation of \overline{ARST} or the write to the SRR. During this time, writing to the MC92500 registers is not allowed. At the conclusion of the reset, the MC92500 will be in setup mode.

When a write access to the SRR is performed, the MC92500 begins the reset process only after writing the results of the current cell processing to External Memory. In this way the External Memory remains consistent, and it is not necessary to re-initialize the External Memory when performing a software reset of the MC92500.

8.2 Data Path Clock Configuration

The MC92500 is designed such that the PHY data path interfaces operate using the same clock. The UTOPIA standard requires the ATM layer to provide the interface clocks, RxClk and TxClk. Since the PHY interfaces use ACLK, the clock provided to the MC92500, this same clock should be connected to the RxClk and TxClk pins of the PHY component. Therefore, these clock signals of the UTOPIA interface are not explicitly provided by the MC92500. The switch interfaces are independently clocked by the clock signals connected to the SRXCLK and STXCLK pins. This configuration is shown in Figure 10.

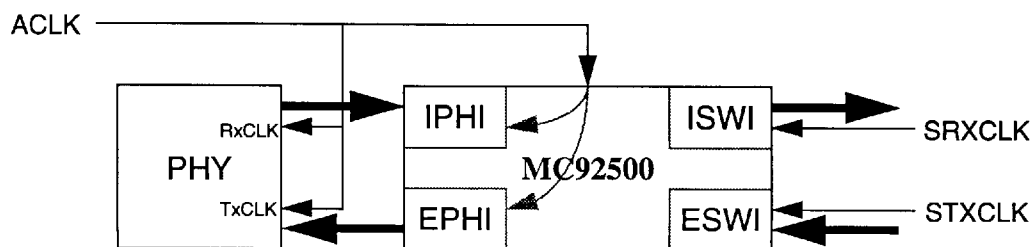


Figure 10. MC92500 Clock Configuration

9. ELECTRICAL CHARACTERISTICS

9.1 Electrical Specifications

9.1.1 Clocks

| Num | Characteristics | Min | Max | Unit |
|-----|-----------------------|-----|-----|------|
| C1 | ACLK Cycle Time | 39 | 80 | ns |
| C2 | ACLK Pulse Width Low | 15 | | ns |
| C3 | ACLK Pulse Width High | 15 | | ns |
| C4 | ACLK Rise/Fall Time | | 5 | ns |
| C5 | MCLK Cycle Time | 30 | | ns |
| C6 | MCLK Pulse Width Low | 12 | | ns |
| C7 | MCLK Pulse Width High | 12 | | ns |
| C8 | MCLK Rise/Fall Time | | 5 | ns |

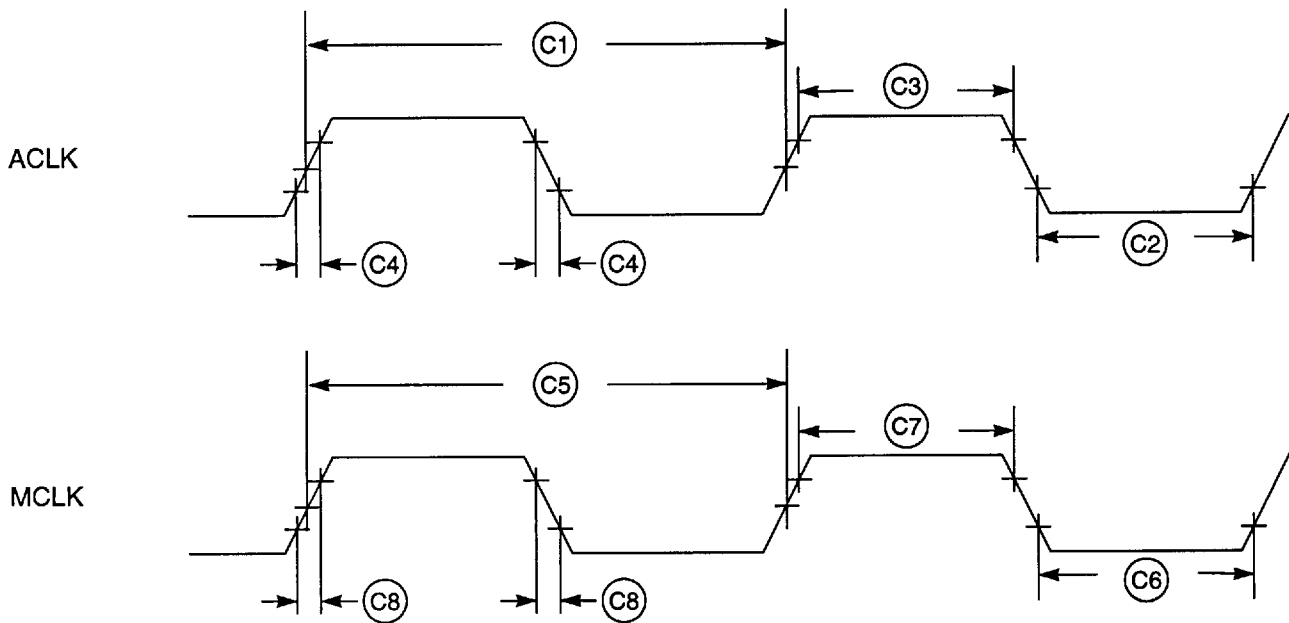


Figure 11. Clocks Timing

9. ELECTRICAL CHARACTERISTICS

9.1.2 Microprocessor Interface Timing

| Num | Characteristics | 33 MHz | | Unit |
|-----|---|--------|----------|------|
| | | Min | Max | |
| 1 | $\overline{\text{MSEL}}$ setup time before MCLK falling edge | 5 | | ns |
| 2 | $\overline{\text{MSEL}}$ hold time after MCLK falling edge | 1 | | ns |
| 3 | MADD/ $\overline{\text{MWR}}$ setup time before $\overline{\text{MSEL}}$ assertion | 6 | | ns |
| 4 | MADD/ $\overline{\text{MWR}}$ hold time after MCLK falling edge ^a | 3 | | ns |
| 5 | $\overline{\text{MDS}}$ setup time before MCLK falling edge | 6 | | ns |
| 6 | $\overline{\text{MDS}}$ hold time after MCLK falling edge | 1 | | ns |
| 7 | MDATA setup time before MCLK falling edge | 4 | | ns |
| 8 | MDATA hold time after MCLK falling edge | 1 | | ns |
| 9 | $\overline{\text{MSEL}}$ assertion to MDATA active | 0 | | ns |
| 10 | $\overline{\text{MSEL}}$ assertion to MDATA valid for CER Accesses ^{b,c} | | 34 | ns |
| 11 | MCLK falling edge to MDATA valid for CER Accesses ^{b,c} | | 27 | ns |
| 12 | $\overline{\text{MSEL}}$ negation to MDATA invalid | 0 | | ns |
| 13 | $\overline{\text{MSEL}}$ negation to MDATA inactive | | 15 | ns |
| 14 | $\overline{\text{MWR}}$ assertion to MDATA invalid | 0 | | ns |
| 15 | $\overline{\text{MWR}}$ assertion to MDATA inactive | | 13 | ns |
| 16 | MCLK rising edge to MDATA valid for Maintenance Accesses ^{b,d} | | T_D | ns |
| 17 | MCLK falling edge to MDATA valid for General Register Accesses ^{b,e} | | T_R | ns |
| 19 | $\overline{\text{MSEL}}$ assertion to $\overline{\text{MDTACK}}$ active | 0 | | ns |
| 20 | MCLK falling edge to $\overline{\text{MDTACK}}$ inactive | | 12 | ns |
| 21 | $\overline{\text{MSEL}}$ assertion to $\overline{\text{MDTACK}}$ asserted ^f | | 17 | ns |
| 22 | $\overline{\text{MSEL}}$ negation to $\overline{\text{MDTACK}}$ negated ^f | | 11 | ns |
| 23 | MCLK rising edge to $\overline{\text{MDTACK}}$ asserted ^f | | 15 | ns |
| 24 | $\overline{\text{MWSH}}$, $\overline{\text{MWSL}}$ setup time before MCLK falling edge ^a | 4 | | ns |
| 25 | $\overline{\text{MWSH}}$, $\overline{\text{MWSL}}$ hold time after MCLK falling edge ^a | 3 | | ns |
| 26 | MCLK falling edge to $\overline{\text{REQ}}$ valid | 0 | 15 | ns |
| 27 | MCLK falling edge to $\overline{\text{MDTACK}}$ asserted for General Register Read Accesses ^{f,g} | | T_{RD} | ns |
| 28 | MCLK falling edge to $\overline{\text{MDTACK}}$ asserted for General Register Write Accesses ^{f,h} | | T_{WD} | ns |

a. refers only to the first falling edge of MCLK in each access at which $\overline{\text{MSEL}}$ is asserted

b. for 150 pF load - add 0.9 ns for each additional 10 pF -- for 100 pF, subtract 4 ns

c. the timing is determined by the worst case of T10 and T11

d. T_D = External Memory access time + 33 ns

e. T_R = 4 × ACLK period + 26 ns

f. for 50 pF load

g. T_{RD} = 4 × ACLK period + 18 ns

h. T_{WD} is measured from the MCLK falling edge at which $\overline{\text{MDS}}$ is sampled as asserted. T_{WD} = 4 × ACLK period + 18 ns

9. ELECTRICAL CHARACTERISTICS

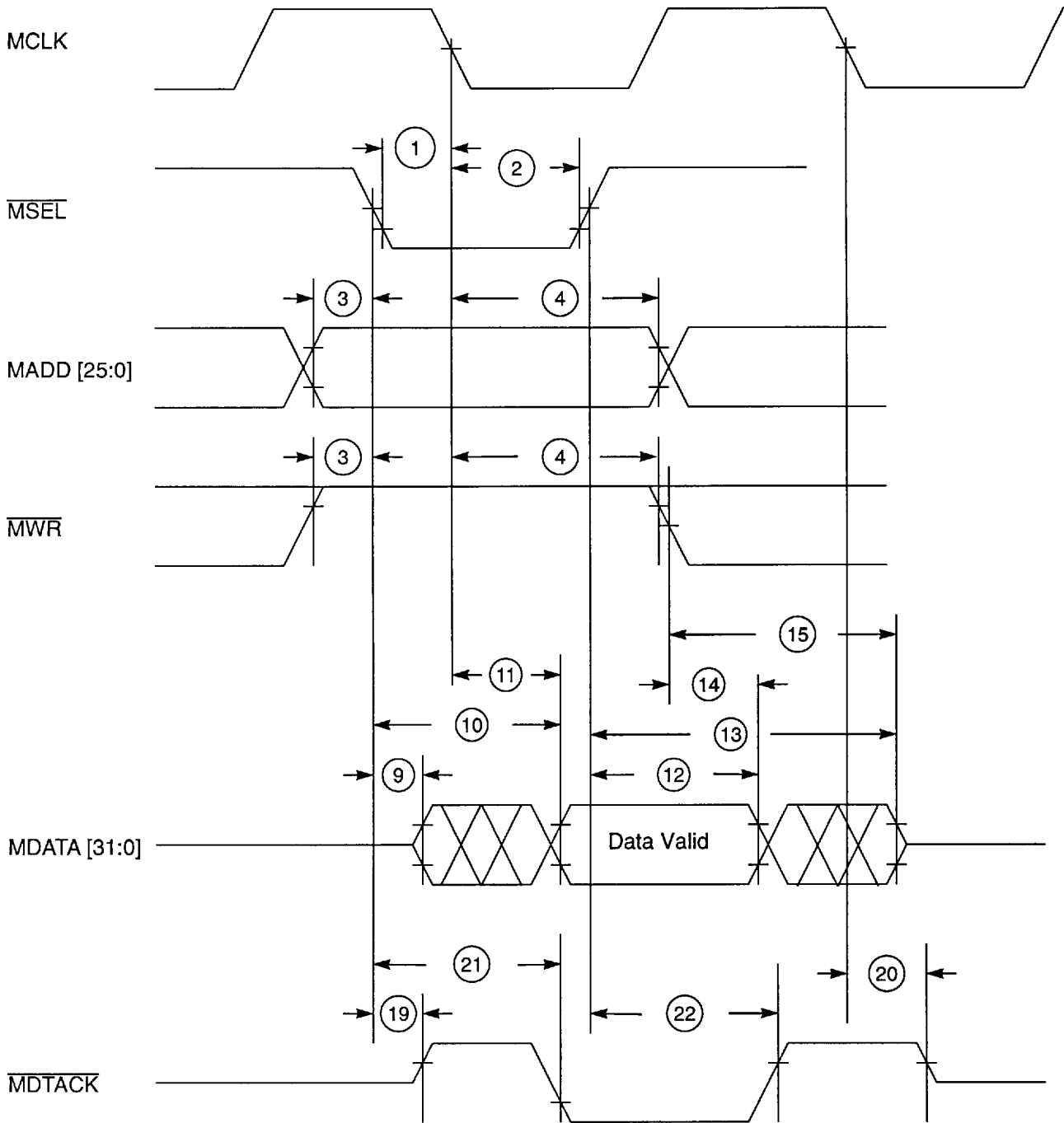


Figure 12. Cell Extraction Register Read Access Timing

9. ELECTRICAL CHARACTERISTICS

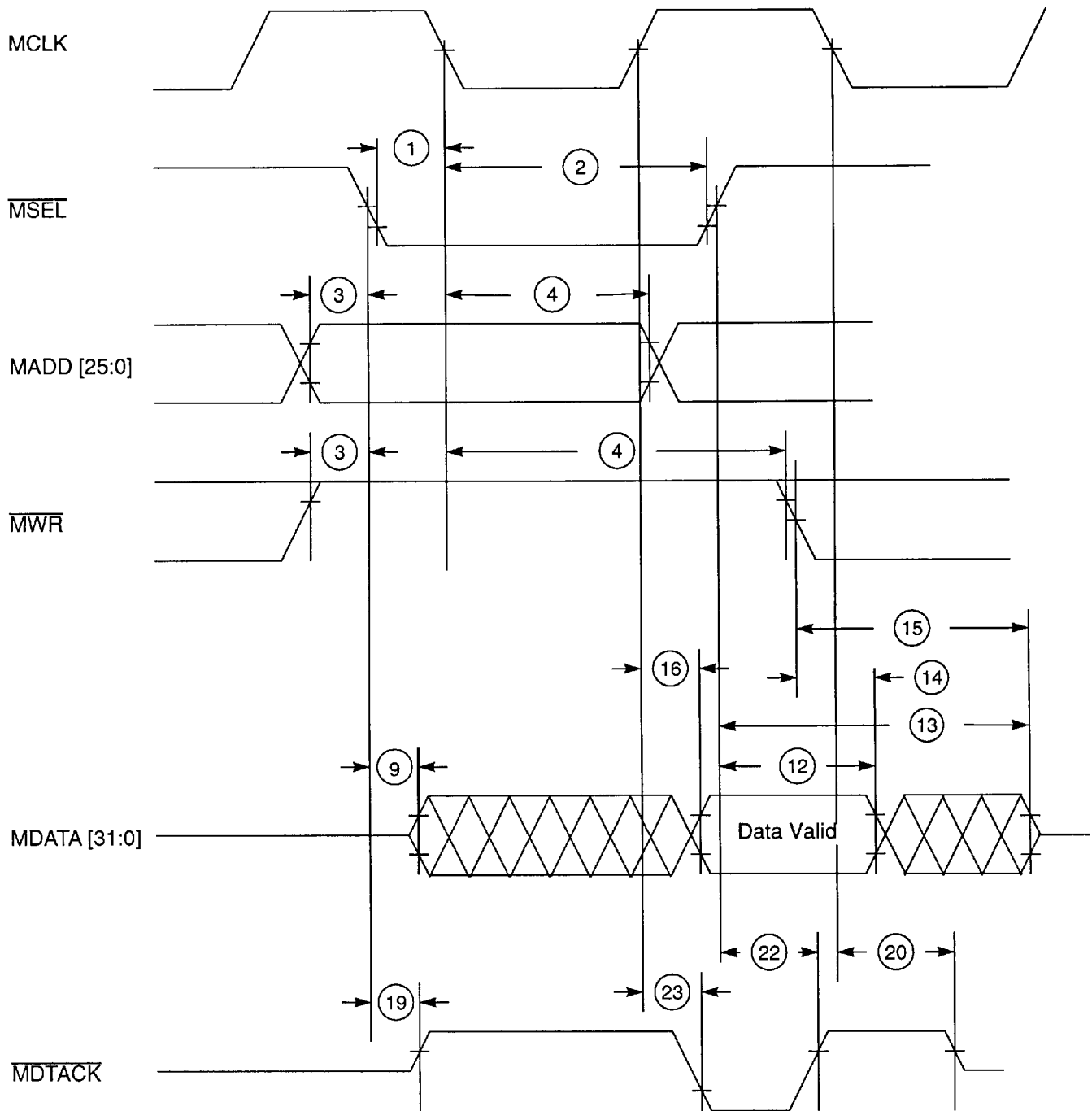


Figure 13. Maintenance Read Access Timing

9. ELECTRICAL CHARACTERISTICS

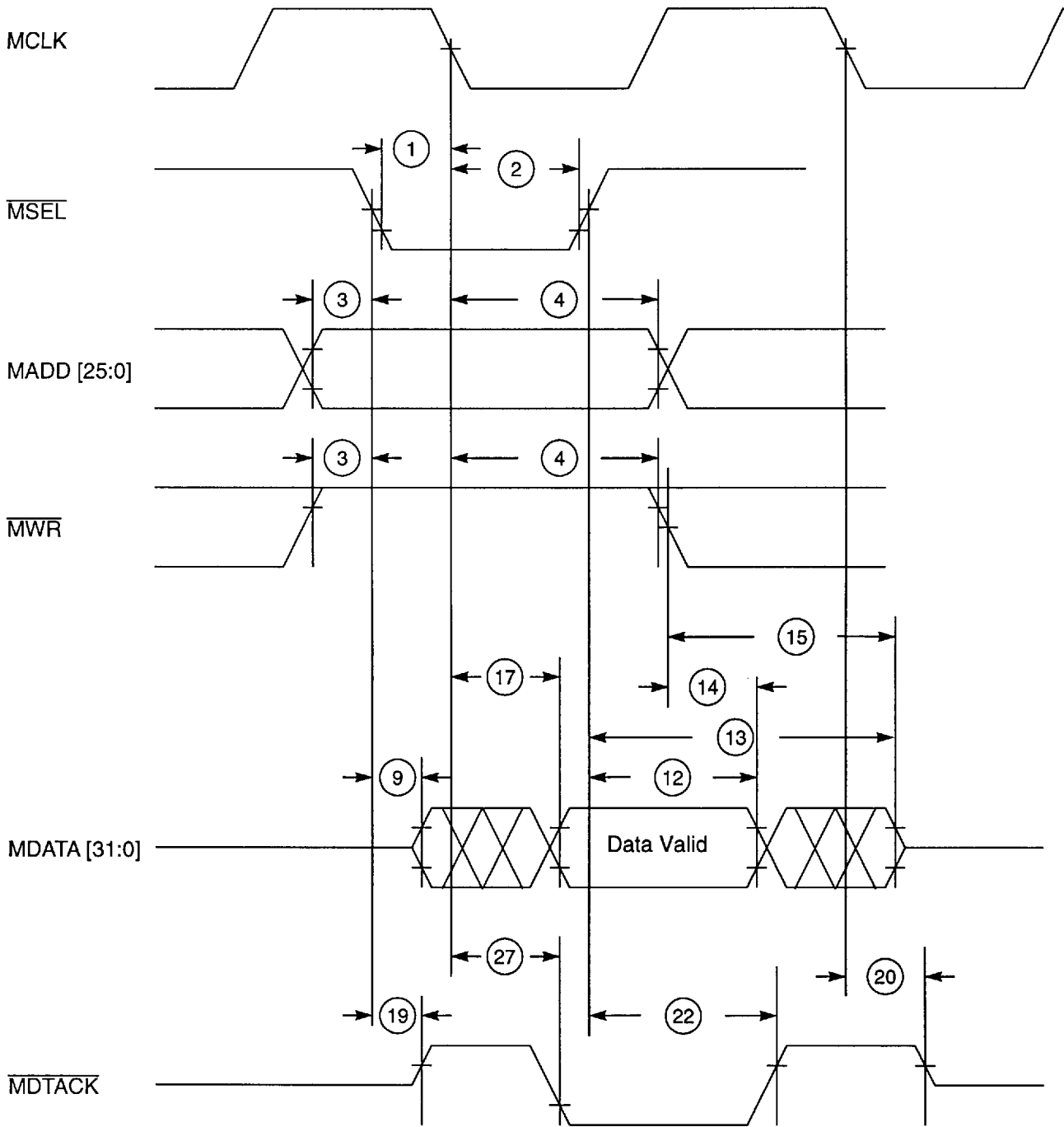


Figure 14. General Register Read Access Timing

9. ELECTRICAL CHARACTERISTICS

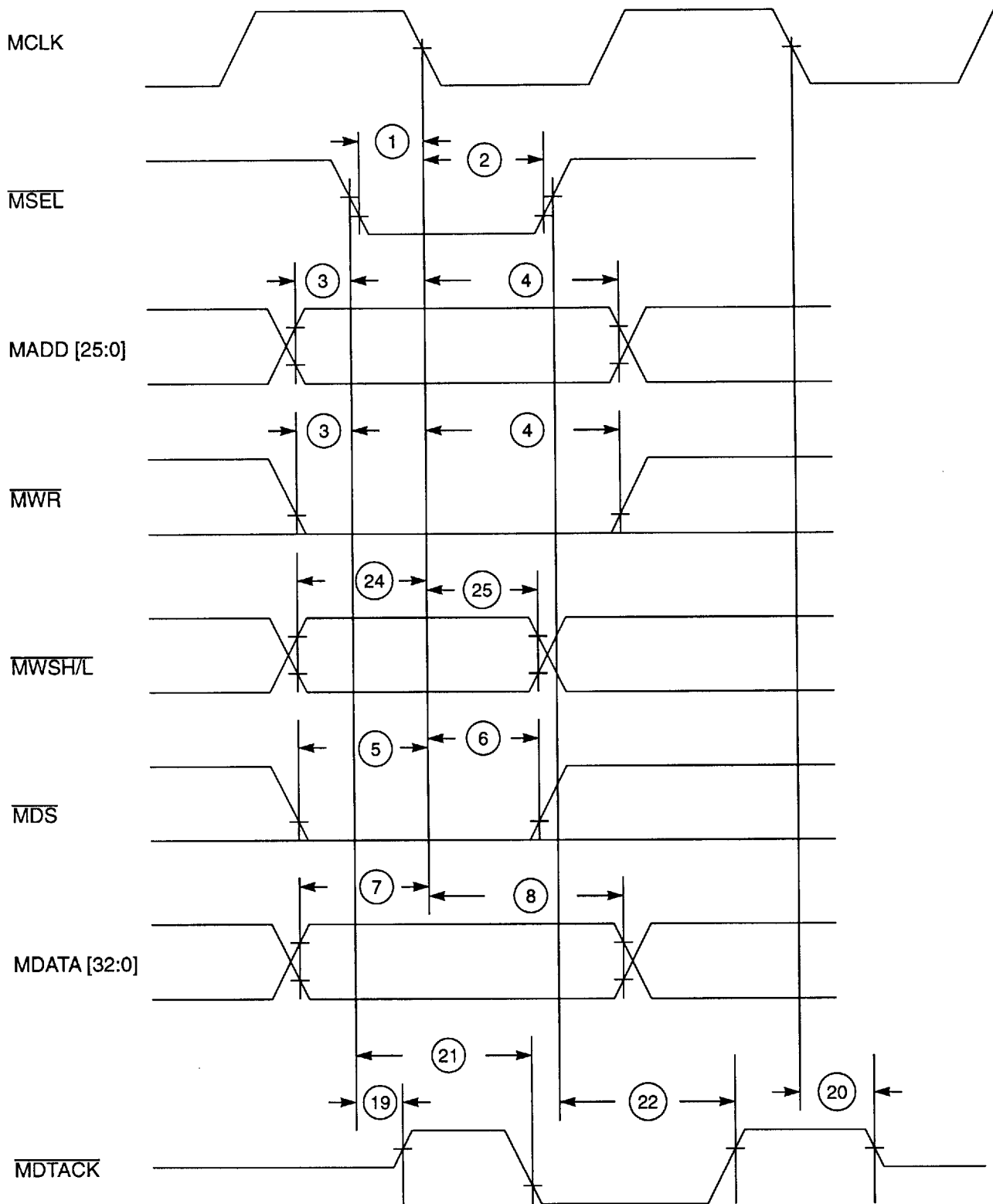


Figure 15. Cell Insertion Register Write Access / Maintenance Write Access Timing

9. ELECTRICAL CHARACTERISTICS

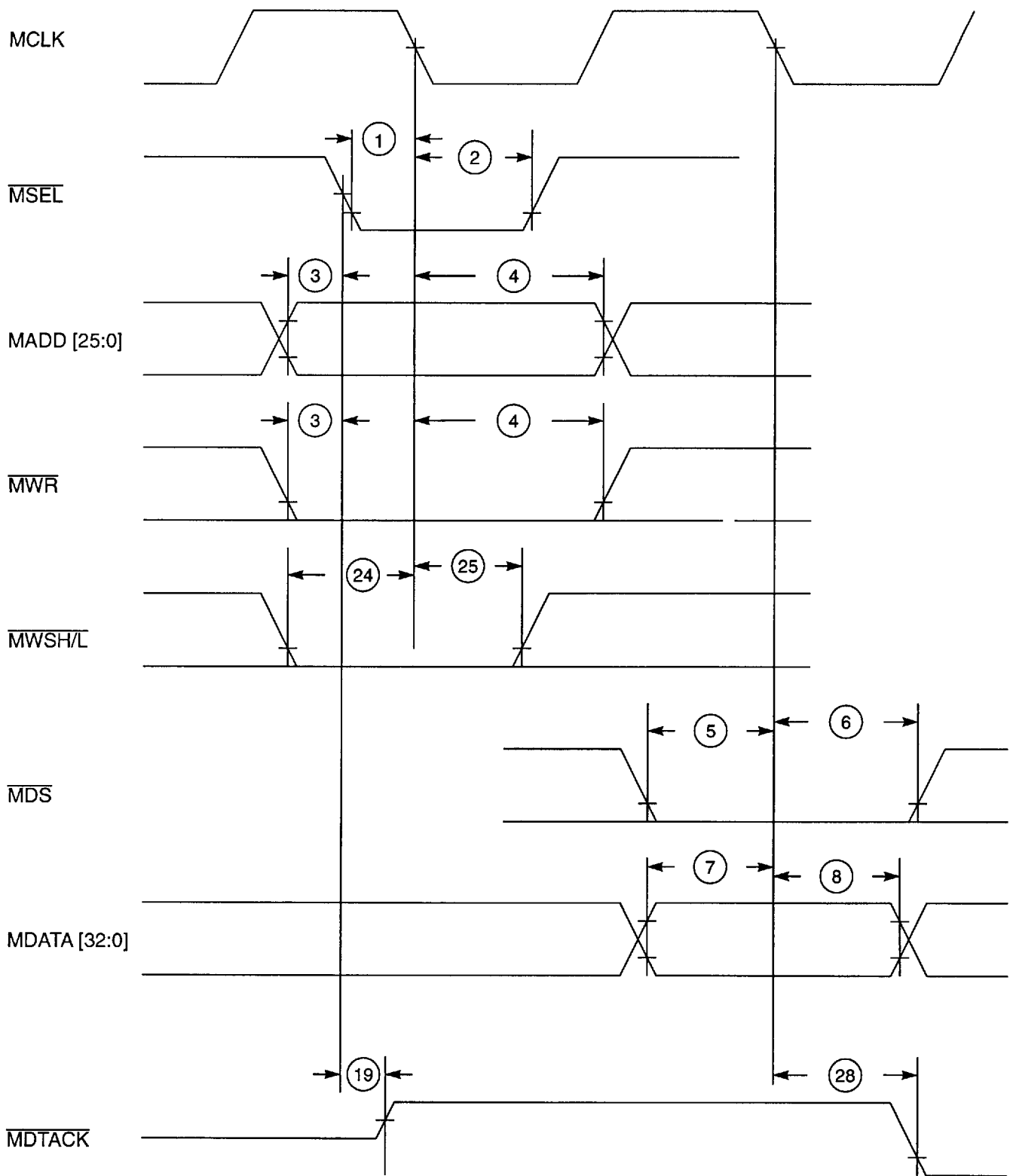


Figure 16. General Register Write Access Timing

9. ELECTRICAL CHARACTERISTICS

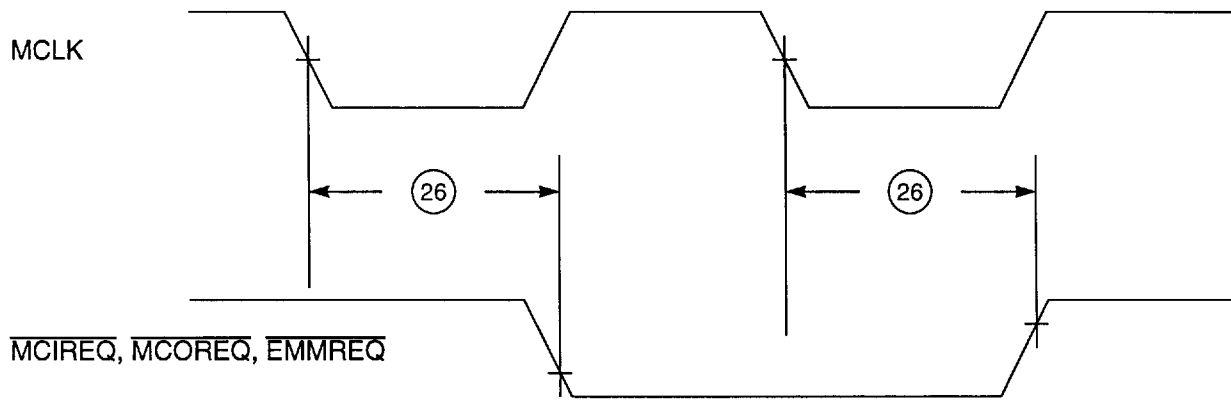


Figure 17. DMA Request Signals Timing

9. ELECTRICAL CHARACTERISTICS

9.1.3 PHY Interface Timing

| Num | Characteristics | 25 MHz | | Unit |
|-----|--|--------|-----|------|
| | | Min | Max | |
| 51 | setup time before ACLK rising edge | 10 | | ns |
| 52 | hold time after ACLK rising edge | 1 | | ns |
| 53 | propagation delay from rising edge of ACLK | 1 | 26 | ns |

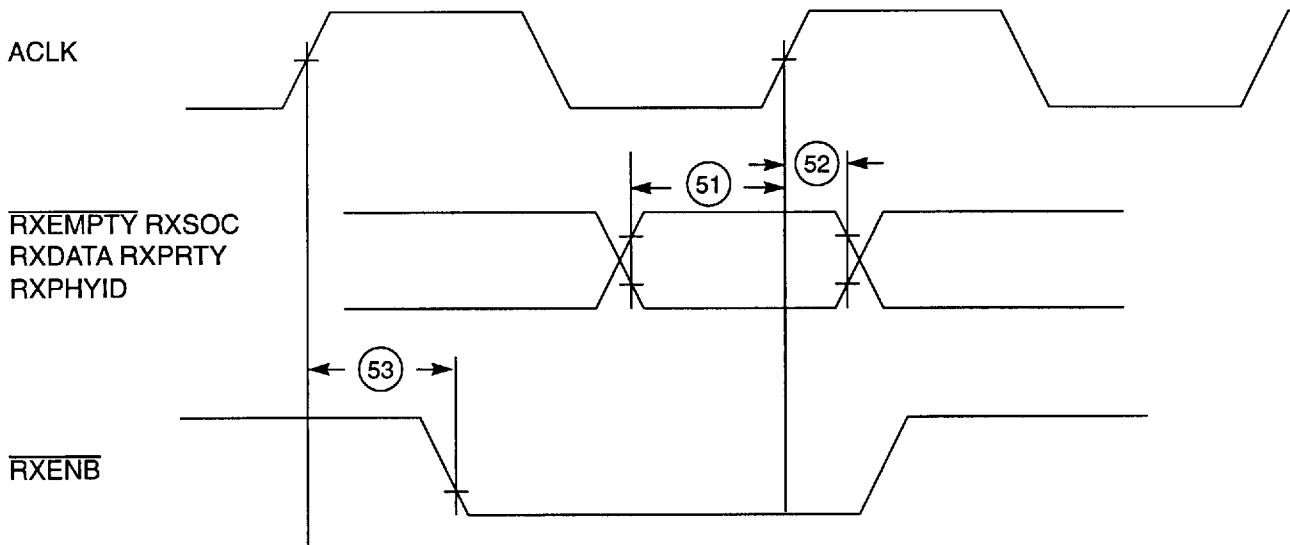


Figure 18. Receive PHY Interface Timing

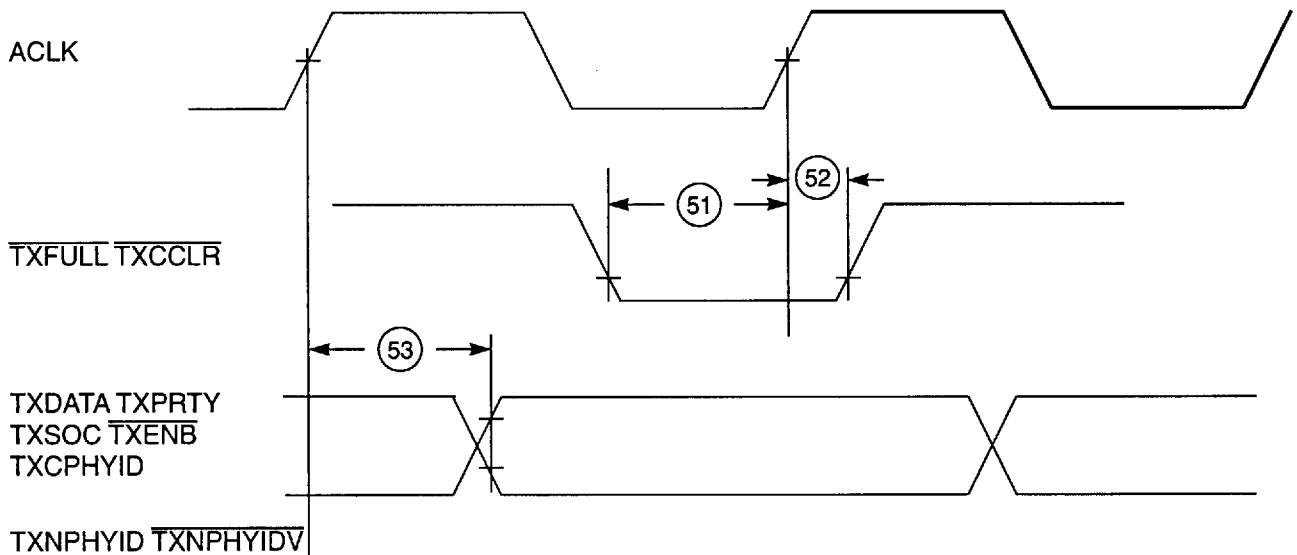


Figure 19. Transmit PHY Interface Timing

9. ELECTRICAL CHARACTERISTICS

9.1.4 External Memory Interface Timing

This section represents EM timing parameters for ACLK period of 39 ns and default definition of the EMT-CR register. The loads of the $\overline{\text{EMBSH0-3}}$, $\overline{\text{EMBSL0-3}}$

and $\overline{\text{EACEN}}$ pins are limited by 30 pF, loads of the $\overline{\text{EMWR}}$ and the EMADD bus are limited by 50 pF and the load of the EMDATA bus is limited by 60 pF.

9.1.5 Write Cycle Timing

| Num | Characteristics | 25.6 MHz | | Unit |
|-----|--|-----------------|-----|------|
| | | Min | Max | |
| 81 | Write Pulse Width ^a . | 16 | | ns |
| 82 | $\overline{\text{EMWR}}$ assertion time. $\overline{\text{EMWR}}$ low to end of Write ^a . | 20 ^b | | ns |
| | | 17 ^c | | ns |
| 83 | Address Setup Time. EMADD Valid to Beginning of Write ^a . | 5 ^d | | ns |
| | | 2 ^e | | ns |
| 84 | Address Valid Time. During this Time EMADD is Valid. | 25 | | ns |
| 85 | Address Hold Time. End of Write ^a to EMADD Invalid. | 1 | | ns |
| 86 | Data Driving Start Point. ACLK High to EMDATA Active. | 11 | | ns |
| 87 | Data Setup Time. EMDATA Valid to End of Write ^a . | 11 | | ns |
| 88 | Data Hold Time. End of Write ^a to EMDATA Invalid. | 1 | | ns |
| 89 | Data Driving End Point. ACLK High to EMDATA High-Z. | | 15 | ns |

a. A write occurs during the overlap of $\overline{\text{EMBSH0-3}}$, $\overline{\text{EMBSL0-3}}$, $\overline{\text{EACEN}}$ low and $\overline{\text{EMWR}}$ low

b. For $\overline{\text{EMWR}}$ load of 20 pF. It is recommended for applications with buffered $\overline{\text{EMWR}}$.

c. For $\overline{\text{EMWR}}$ load of 50 pF.

d. For EMADD load of 20 pF. It is recommended for applications with buffered EMADD.

e. For EMADD load of 50 pF.

9. ELECTRICAL CHARACTERISTICS

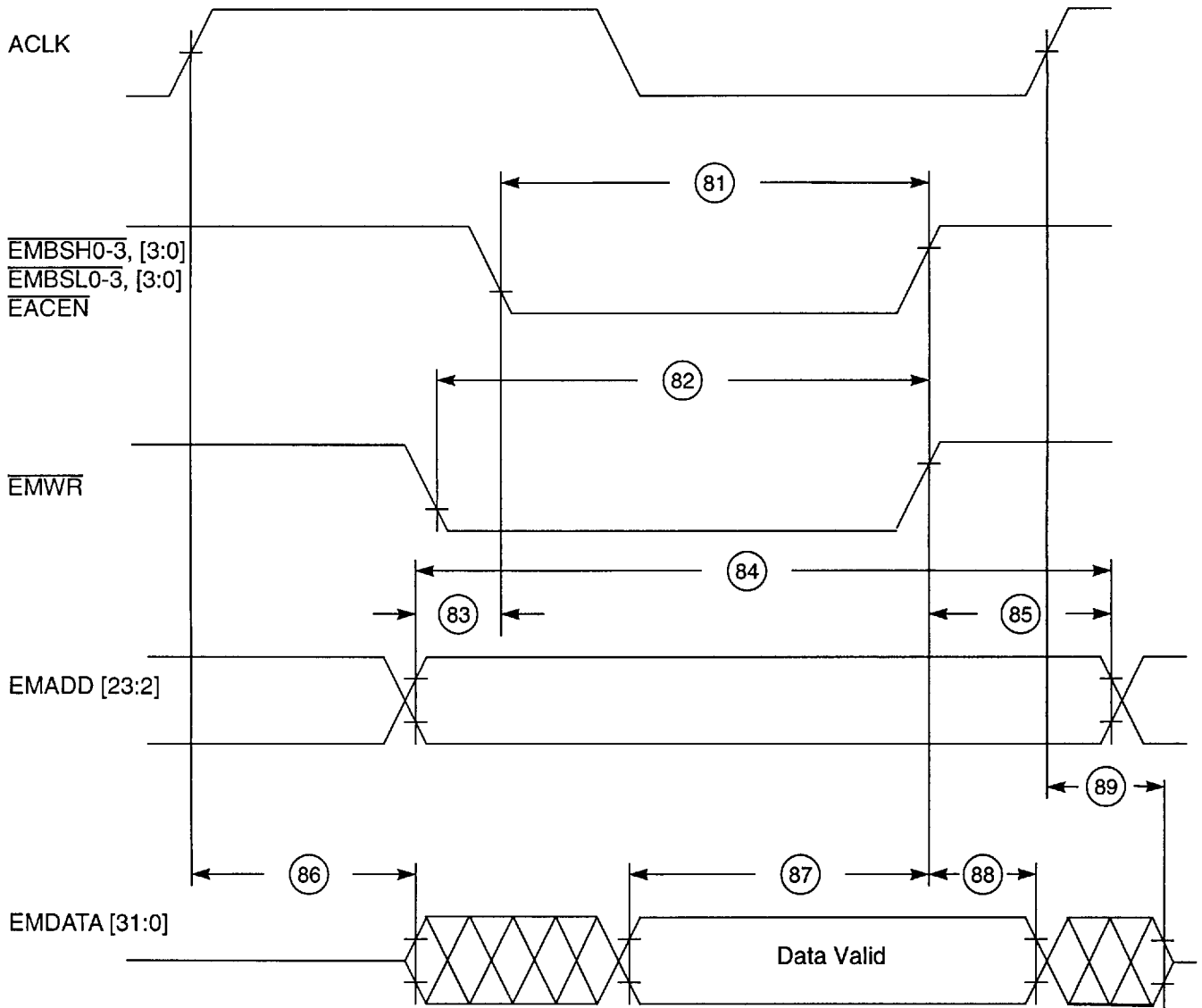


Figure 20. External Memory Write Access Timing

9. ELECTRICAL CHARACTERISTICS

9.1.6 Read Cycle Timing

| Num | Characteristics | 25 MHz | | Unit |
|-----|---|-----------------|----------------|------|
| | | Min | Max | |
| 90 | Enable Pulse Width. $\overline{\text{EMBSH0-3}}$, $\overline{\text{EMBSL0-3}}$, $\overline{\text{EACEN}}$ Pulse Width. | 28 | 38 | ns |
| 91 | Enable Hold Time. ACLK High to $\overline{\text{EMBSH0-3}}$, $\overline{\text{EMBSL0-3}}$, $\overline{\text{EACEN}}$ High. | 0 | 8 | ns |
| 92 | Address Setup Time. $\overline{\text{EMBSH0-3}}$, $\overline{\text{EMBSL0-3}}$, $\overline{\text{EACEN}}$ High. | 33 ^a | | ns |
| | | 30 ^b | | |
| 93 | Address Hold Time. EMADD Invalid to $\overline{\text{EMBSH0-3}}$, $\overline{\text{EMBSL0-3}}$, $\overline{\text{EACEN}}$ High | | 2 ^c | ns |
| 94 | Data Driving Start Point. $\overline{\text{EMBSH0-3}}$, $\overline{\text{EMBSL0-3}}$, $\overline{\text{EACEN}}$ Low to EMDATA Active. | 0 | | ns |
| 95 | Data Setup Time. EMDATA Valid to $\overline{\text{EMBSH0-3}}$, $\overline{\text{EMBSL0-3}}$, $\overline{\text{EACEN}}$ High. | 7 | | ns |
| 96 | Data Hold Time. $\overline{\text{EMBSH0-3}}$, $\overline{\text{EMBSL0-3}}$, $\overline{\text{EACEN}}$ High to EMDATA Invalid. | 0 | | ns |
| 97 | Data Driving End Point. $\overline{\text{EMBSH0-3}}$, $\overline{\text{EMBSL0-3}}$, $\overline{\text{EACEN}}$ High to EMDATA Inactive | | 9 | ns |

a. For EMADD load of 20 pF. It is recommended for applications with buffered EMADD.

b. For EMADD load of 50 pF.

c. A RAM with hold time from address change to data change is required.

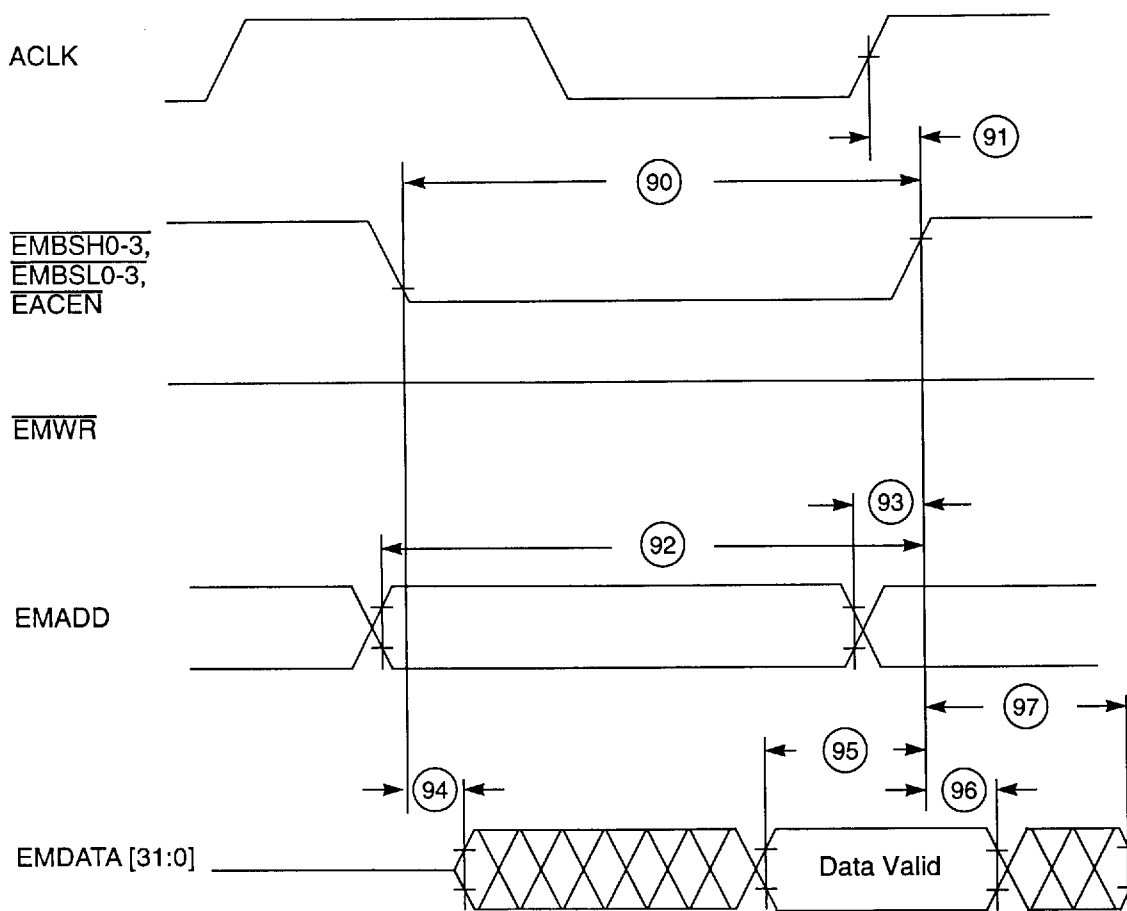


Figure 21. External Memory Read Access Timing

9. ELECTRICAL CHARACTERISTICS

9.1.7 DC Electrical Characteristics

Table 3. Preliminary Electrical Characteristics for MC92500

| ABSOLUTE MAXIMUM RATINGS | | | |
|--------------------------|--|------------------------|------|
| Symbol | Parameter | Value/Value Range | Unit |
| V_{DD} | DC Supply Voltage | -0.5 to 3.8 | V |
| V_{in} | DC Input Voltage | -0.5 to $V_{DD} + 0.5$ | V |
| V_{out} | DC Output Voltage | -0.5 to $V_{DD} + 0.5$ | V |
| I | DC Current Drain per Pin, Any Single Input or Output | ± 50 | mA |
| I | DC Current Drain VDD and VSS Pins | ± 100 | mA |
| T_{stg} | Storage Temperature | -65 to +150 | °C |
| T_L | Lead Temperature (10 second soldering) | 300 | °C |

Note: Maximum ratings are those values beyond which damage to the device may occur.

| RECOMMENDED OPERATING CONDITIONS (to guarantee functionality) | | | | |
|---|--|-----|----------|------|
| Symbol | Parameter | Min | Max | Unit |
| V_{DD} | DC Supply Voltage, $V_{DD} = 3.3V$ (Nominal) | 3.0 | 3.6 | V |
| V_{in} | Input Voltage | 0 | V_{DD} | V |
| T_A | Commercial Operating Temperature | 0 | 70 | °C |

Notes:

1. All parameters are characterized for DC conditions after thermal equilibrium has been established.
2. Unused inputs must always be tied to an appropriate logic voltage level (e.g., either V_{SS} or V_{DD}).
3. This device contains circuitry to protect the inputs against damage due to high static voltages or electric fields; however, it is advised that normal precautions be taken to avoid application of any voltage higher than maximum rated voltages to this high impedance circuit. For proper operation it is recommended that V_{in} and V_{out} be constrained to the range $0 \leq (V_{in} \text{ or } V_{out}) \leq V_{DD}$.

9. ELECTRICAL CHARACTERISTICS

**Table 4. Preliminary DC Electrical Characteristics for the MC92500 ($T_a = 0^\circ\text{C}$ to 70°C)
 $V_{DD} = 3.3\text{V} \pm 0.3\text{V}$**

| | Parameter | Condition | Min. | Max. | Unit |
|-----------|--|---|------|------|---------------|
| V_{IH} | TTL Inputs (5 V Tolerant) ^a | High State | 2.2 | | V |
| V_{IL} | TTL Inputs (5 V Tolerant) ^a | Low State | -0.3 | 0.8 | V |
| I_{in} | Input Leakage Current, No Pull Resistor | $V_{in} = V_{DD}$ or V_{SS} | -5 | 5 | μA |
| | with Pullup Resistor * | | -50 | -5 | |
| | with Pulldown Resistor * | | 5 | 50 | |
| I_{OH} | Output High Current, 4mA LVTTTL Output Type (5 V Tolerant) ^{a,b} | $V_{DD} = \text{Min}$, $V_{OH} \text{ Min} = 0.8 V_{DD}$ | -4 | - | mA |
| | Output High Current, ^c 16mA LVTTTL Output Typed | $V_{DD} = \text{Min}$, $V_{OH} \text{ Min} = 0.8 V_{DD}$ | -24 | - | |
| | 4mA LVTTTL Output Type ^d | | -6 | - | |
| I_{OL} | Output Low Current, 4mA LVTTTL Output Type (5 V Tolerant) ^{a,b} | $V_{DD} = \text{Min}$, $V_{OL} \text{ Max} = 0.4 \text{ Volts}$ | 4 | - | mA |
| | Output Low Current, ^c 16mA LVTTTL Output Type | $V_{DD} = \text{Min}$, $V_{OL} \text{ Max} = 0.4 \text{ Volts}$ | 24 | - | |
| | 4mA LVTTTL Output Type ^d | | 6 | - | |
| I_{oz} | Output Leakage Current, 3-State Output | Output = Hi Impedance $V_{out} = V_{DD}$ or V_{SS} | -10 | 10 | μA |
| I_{DDQ} | Max Quiescent Supply Current | $I_{out} = 0\text{mA}$ $V_{in} = V_{DD}$ or V_{SS} | | | mA |
| I_{DDQ} | Max Dynamic Supply Current | nominal load capaci- tance, ACLK = 25.6MHz, MCLK = 33MHz | | | mA |
| C_i | Input Capacitance (TTL) | | | 8 | pF |

* Inputs may be modified to include pull resistors at any time.

a) 5 V tolerant inputs and outputs can withstand up to 5.5 V

b) MDATA (31:0), MDTACK, EMDATA (31:0)

c) EACEN, EMWR, EMADD (23:2), EMBSH (3:0), EMBSL (3:0)

d) MINT, MCIREQ, MCOREQ, EMMREQ, RXENB, TXPHYID (3:0), TXPHYIDV, TXDATA (7:0), TXPRTY, TXSOC, TXENB, SRXCLAV, SRXDATA (7:0), SRXSOC, SRXPRTY, TDO, TESTOUT, VCOCTL

10. PACKAGE INFORMATION

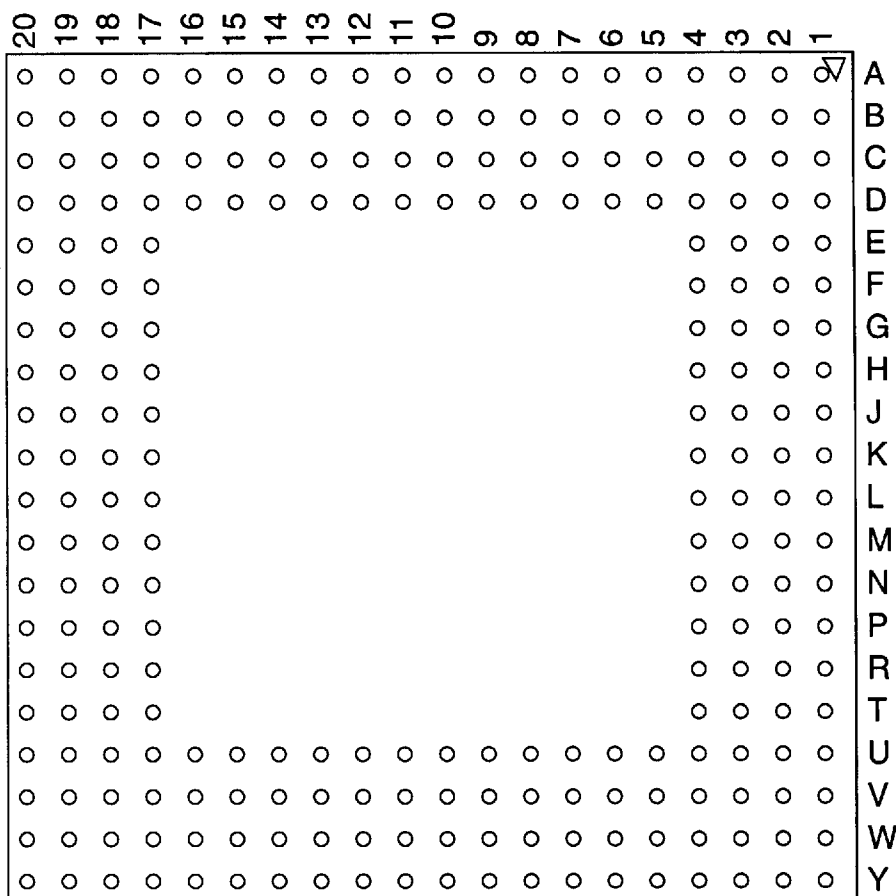
10.1 Pin Assignment

Table 5. Functional Pin Assignment

| Package Pin | Signal Name | Package Pin | Signal Name | Package Pin | Signal Name | Package Pin | Signal Name | Package Pin | Signal Name | Package Pin | Signal Name |
|-------------|-------------|-------------|-------------|-------------|-------------|-------------|-------------|-------------|-------------|-------------|-------------|
| C3 | TESTOUT | A8 | MSEL | A14 | SRXDATA:0 | E17 | RXDATA:3 | J19 | EMDATA:18 | R19 | EMADD:23 |
| A2 | ACLK | D9 | MCIREQ | B14 | SRXCLK | C20 | RXDATA:2 | J20 | EMDATA:17 | P17 | EMADD:22 |
| B2 | TESTSEL | C9 | MCOREQ | C14 | SRXCLAV | D19 | RXDATA:1 | K17 | EMDATA:16 | R18 | EMADD:21 |
| D5 | MADD:17 | B9 | MDTACK | A15 | SRXSOC | E18 | RXDATA:0 | K18 | EMDATA:15 | T20 | EMADD:20 |
| A3 | MADD:16 | A9 | MINT | B15 | SRXPRTY | D20 | EMDATA:31 | K19 | EMDATA:14 | T19 | EMADD:19 |
| B4 | MADD:15 | D10 | EMMREQ | D14 | N/C | E19 | EMDATA:30 | K20 | EMDATA:13 | U20 | EMADD:18 |
| C5 | MADD:14 | C10 | MCLK | C15 | N/C | F18 | EMDATA:29 | L20 | EMDATA:12 | V20 | EMADD:17 |
| A4 | MADD:13 | B10 | MWR | A16 | RXSOC | G17 | EMDATA:28 | L18 | EMDATA:11 | T17 | EMADD:16 |
| B5 | MADD:12 | A10 | MWSH | B16 | RXENB | E20 | EMDATA:27 | L19 | EMDATA:10 | U18 | EMADD:15 |
| C6 | MADD:11 | A11 | MWSL | C16 | RXEMPTY | F19 | EMDATA:26 | M20 | EMDATA:9 | U19 | EMADD:14 |
| D7 | MADD:10 | C11 | MDS | A17 | RXPHYID:3 | G18 | EMDATA:25 | M19 | EMDATA:8 | V18 | EMADD:13 |
| A5 | MADD:9 | B11 | SRXENB | A18 | RXPHYID:2 | F20 | EMDATA:24 | M18 | EMDATA:7 | Y19 | EMADD:12 |
| B6 | MADD:8 | A12 | SRXDATA:7 | D16 | RXPHYID:1 | G19 | EMDATA:23 | M17 | EMDATA:6 | W18 | EMADD:11 |
| C7 | MADD:7 | B12 | SRXDATA:6 | C17 | RXPHYID:0 | G20 | EMDATA:22 | N20 | EMDATA:5 | V17 | EMADD:10 |
| A6 | MADD:6 | C12 | SRXDATA:5 | B17 | RXPRTY | H18 | EMDATA:21 | N19 | EMDATA:4 | U16 | EMADD:9 |
| B7 | MADD:5 | D12 | SRXDATA:4 | C18 | RXDATA:7 | H19 | EMDATA:20 | N18 | EMDATA:3 | Y18 | EMADD:8 |
| A7 | MADD:4 | A13 | SRXDATA:3 | B20 | RXDATA:6 | H20 | EMDATA:19 | P20 | EMDATA:2 | W17 | EMADD:7 |
| C8 | MADD:3 | B13 | SRXDATA:2 | C19 | RXDATA:5 | J17 | EMDATA:18 | P19 | EMDATA:1 | Y17 | EMADD:6 |
| B8 | MADD:2 | C13 | SRXDATA:1 | D18 | RXDATA:4 | J18 | EMDATA:17 | R20 | EMDATA:0 | W16 | EMADD:5 |
| V15 | EMADD:4 | W10 | TDO | U5 | TXPRTY | P1 | MDATA:25 | H2 | MDATA:5 | | |
| U14 | EMADD:3 | Y9 | TDI | V4 | TXSOC | N3 | MDATA:24 | H3 | MDATA:4 | | |
| Y16 | EMADD:2 | W9 | ENID | W4 | TXDATA:7 | N2 | MDATA:23 | G1 | MDATA:3 | | |
| W15 | N/C | V9 | STXCLK | V3 | TXDATA:6 | N1 | MDATA:22 | G2 | MDATA:2 | | |
| Y15 | EMBSH:0 | U9 | STXCLAV | W1 | TXDATA:5 | M4 | MDATA:21 | G3 | MDATA:1 | | |
| W14 | EMBSH:1 | Y8 | STXSOC | V2 | TXDATA:4 | M3 | MDATA:20 | F1 | MDATA:0 | | |
| Y14 | EMBSH:2 | W8 | STXPRTY | U3 | TXDATA:3 | M2 | MDATA:19 | F2 | MADD:25 | | |
| V13 | EMBSH:3 | V8 | STXDATA:7 | T4 | TXDATA:2 | M1 | MDATA:18 | G4 | MADD:24 | | |
| W13 | N/C | Y7 | STXDATA:6 | V1 | TXDATA:1 | L4 | MDATA:17 | F3 | MADD:23 | | |
| Y13 | EMBSL:0 | W7 | STXDATA:5 | U2 | TXDATA:0 | L3 | MDATA:16 | E1 | MADD:22 | | |
| U12 | EMBSL:1 | V7 | STXDATA:4 | T3 | TXPHYID:3 | L2 | MDATA:15 | E2 | MADD:21 | | |
| V12 | EMBSL:2 | Y6 | STXDATA:3 | U1 | TXPHYID:2 | L1 | MDATA:14 | E3 | MADD:20 | | |
| W12 | EMBSL:3 | W6 | STXDATA:2 | T2 | TXPHYID:1 | K1 | MDATA:13 | D1 | MADD:19 | | |
| Y12 | N/C | U7 | STXDATA:1 | R3 | TXPHYID:0 | K3 | MDATA:12 | C1 | MADD:18 | | |
| U11 | AMODE:1 | V6 | STXDATA:0 | P4 | MDATA:31 | K2 | MDATA:11 | D2 | VCOCTL | | |
| V11 | AMODE:0 | Y5 | STXENB | T1 | MDATA:30 | J1 | MDATA:10 | | | | |
| W11 | ARST | W5 | TXENB | R2 | MDATA:29 | J2 | MDATA:9 | | | | |
| Y11 | TCK | V5 | TXFULL | P3 | MDATA:28 | J3 | MDATA:8 | | | | |
| Y10 | TRST | Y4 | TXCCLR | R1 | MDATA:27 | J4 | MDATA:7 | | | | |
| V10 | TMS | Y3 | TXPHYIDV | P2 | MDATA:26 | H1 | MDATA:6 | | | | |

10. PACKAGE INFORMATION

256 PBGA Pin Diagram/Power Pin Assignment (Bottom View)



VDD - D6, D11, D15, F4, F17, K4, L17, R4, R17, U6, U10, U15, B19, B18, C4, D3, W2, Y2, V19, W19, P18, V14
VSS - A1, D4, D8, D13, D17, H4, H17, N4, N17, U4, U8, U13, U17, A19, A20, B3, E4, Y1, W3, Y20, W20, T18, V16
AVDD - C2
AVSS - B1

Table 6. Signal Pin Allocation

| Block name | Number of pins |
|----------------------|----------------|
| MP | 67 |
| PHY | 34 |
| SWT | 26 |
| External memory | 64 |
| JTAG | 5 |
| General/NC | 13 |
| Total Signals | 209 |

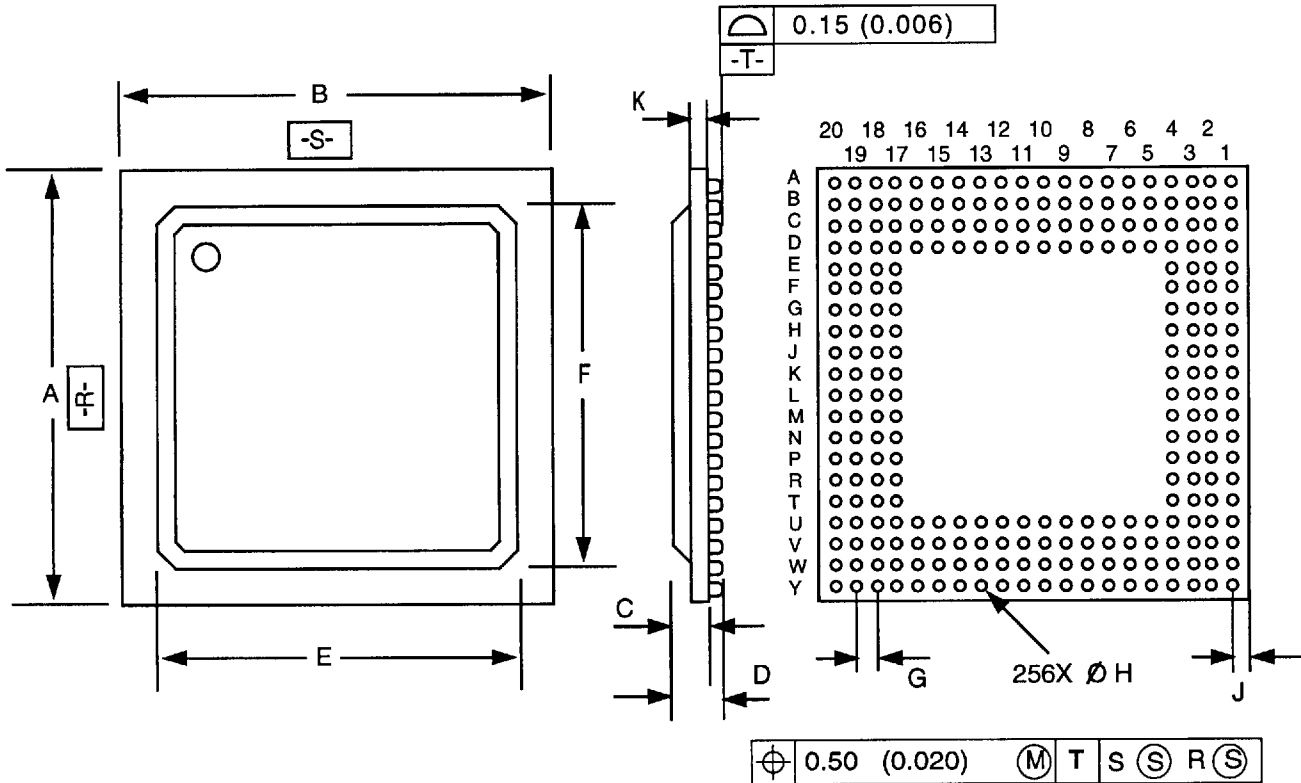
Table 7. Power Pin Allocation

| Power | Number of pins |
|--------------------|----------------|
| VDD | 22 |
| VSS | 23 |
| AVDD | 1 |
| AVSS | 1 |
| Total Power | 47 |

10. PACKAGE INFORMATION

10.2 256 PBGA Case Outline (Preliminary Drawing)

OMPAC - (used for Production) BT Package
 GTPAC - (used for Prototype and Production)



Dimensions for OMPAC

| DIM | MILLIMETERS | | INCHES | |
|-----|-------------|-------|----------|--------|
| | MIN | MAX | MIN | MAX |
| A | 26.90 | 27.10 | 1.0590 | 1.0669 |
| B | 26.90 | 27.10 | 1.0590 | 1.0669 |
| C | 1.330 | 1.730 | 0.0523 | 0.0681 |
| D | 1.830 | 2.430 | 0.072 | 0.0956 |
| E | 23.80 | 24.20 | 0.9370 | 0.9527 |
| F | 23.80 | 24.20 | 0.9370 | 0.9527 |
| G | 1.27 BSC | | .050 BSC | |
| H | 0.690 | 0.810 | 0.0271 | 0.0318 |
| J | 1.335 | 1.535 | .0526 | .0604 |
| K | 0.310 | 0.410 | 0.012 | 0.016 |

Dimensions for GTPAC

| DIM | MILLIMETERS | | INCHES | |
|-----|-------------|--------|----------|--------|
| | MIN | MAX | MIN | MAX |
| A | 26.90 | 27.10 | 1.0590 | 1.0669 |
| B | 26.90 | 27.10 | 1.0590 | 1.0669 |
| C | 1.526 | 2.134 | 0.060 | 0.084 |
| D | 2.026 | 2.834 | 0.080 | 0.112 |
| E | 17.780 | 22.860 | 0.700 | 0.900 |
| F | 17.780 | 22.860 | 0.700 | 0.900 |
| G | 1.27 BSC | | .050 BSC | |
| H | 0.690 | 0.810 | 0.0271 | 0.0318 |
| J | 1.335 | 1.535 | .0526 | .0604 |
| K | 0.510 | 0.610 | 0.020 | 0.024 |