

BCD

		Real coded				
		C	1	2	4	8
10 P o s i t i o n s	0	●				
	1	●	●			
	2	●		●		
	3	●	●	●		
	4	●			●	
	5	●	●		●	
	6	●		●	●	
	7	●	●	●	●	
	8	●				●
	9	●	●			●



Tolerances:	Date	Name
	03/09	dr
IP rating	07/09	dr
Modifications	Date	Name

DRS 60010 CH

knitter-switch

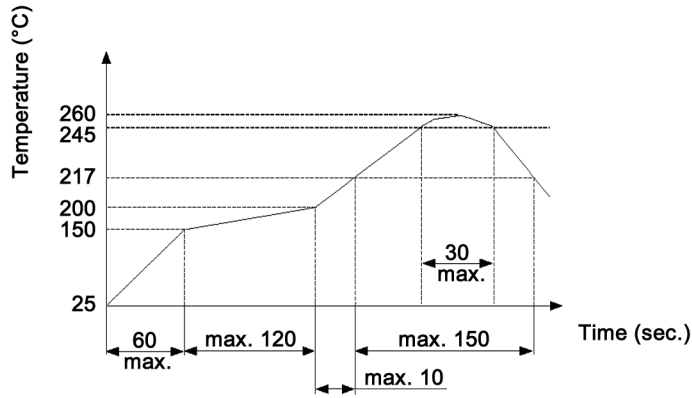
30 17 57

Page

1/2

Specifications:

Contact rating: non-switching: 400mA, 24V DC
switching: 150mA, 24V DC
Contact resistance: 80mOhm max.
Insulation resistance: 100MOhm min. at 250V DC for 1 minute +/-5sec.
Dielectric strength: 250V AC (50/60Hz) for 1 minute
Operating temperature: -60°C to +125°C
Storage temperature: -60°C to +125°C
Mechanical life: 10 000 cycles
Operating force: 700gf/cm. max.
Soldering conditions: auto-soldering: 260 +/-5°C, 5 +/-1sec.
reflow soldering:



Material: Cover: LCP, black
Base: LCP
Actuator: PA66
Detent spring: STS
Contact / terminal: phosphor bronze, min. 0.07µm gold plated over min. 0.1µm nickel
PCB: epoxy seal, min. 0.05µm gold plated
O-ring: silicone
IP rating: IP67



Tolerances:	Date	Name	DRS 60010 CH	30 17 57	Page
	03/09	dr			
			knitter-switch		2/2
Modifications	Date	Name			