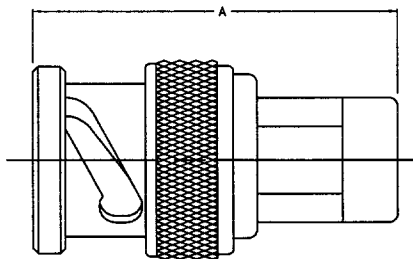


# RED INDICATES ORIGINAL

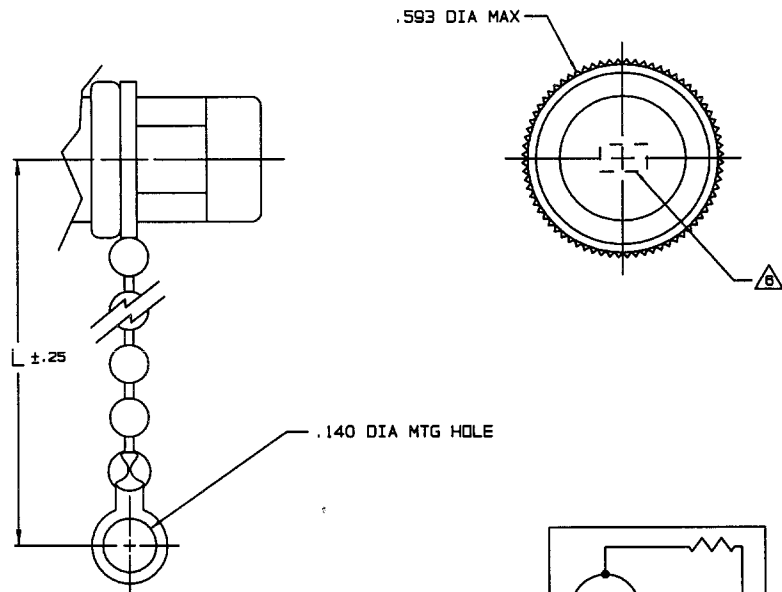
DATA CONTAINED IN THIS DOCUMENT IS PROPRIETARY TO TROMPETER ELECTRONICS, INC. AND SHALL NOT BE DISCLOSED, COPIED OR USED FOR PROCUREMENT OR MANUFACTURE WITHOUT EXPRESS WRITTEN PERMISSION.

REVISIONS			105-1620	SH 1C
REV	EO	DESCRIPTION	DWN	APPROVED
B	12810	UPDATED: BOM TO CURRENT PIN SEE ECD	R L	4/19/99

DASH NO	A DIM	L DIM	CHAIN MATL
-1	1.03	---	---
-2	1.06	2.50	BRASS $\nabla$
-3		2.50	NYLON
-4	1.06	3.00	BRASS $\nabla$
-5		3.00	NYLON
-6		6.00	BRASS $\nabla$
-7		6.00	NYLON



-1 SHOWN

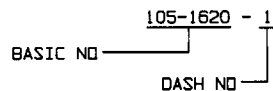


INCH	MM
.005	0.13
.03	0.76
.140	3.56
.25	6.35
.593	15.06
1.03	26.16
1.06	26.92
2.50	63.50
3.00	76.20
6.00	152.40

$\nabla$  NICKEL PLATED

$\nabla$  RESISTANCE VALUE MARKING

5. EXAMPLE OF COMPLETE PART NO.

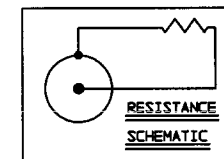


4. TERMINATED BNC TYPE COAXIAL PLUGS, PRECISION 75 OHM BAYONET

$\nabla$  RESISTANCE VALUE: 75 OHMS, 1/4 W, 0.1%

2. FINISH: TFS-1A (NICKEL)

1. ALL DIM ARE IN INCHES



QTY	DESCRIPTION	PART NUMBER	ITEM
TOL. UNLESS SPECIFIED .XX ± .03 .XXX ± .005 .XXXX ± .001 ANGLES	<b>TROMPETER ELECTRONICS, INC.</b>	UTNAS1 SPL 75 OHM, 0.1%	
DWN R/L 4/10/99	MATERIAL	CODE IDENT	DRAWING NO.
CHK [Signature] 2/16/99		14949	105-1620
ENGR	APPR [Signature]	SCALE 4/1	REV B
NEXT ASSY	DATE 1/26/95	SHEET 1C	