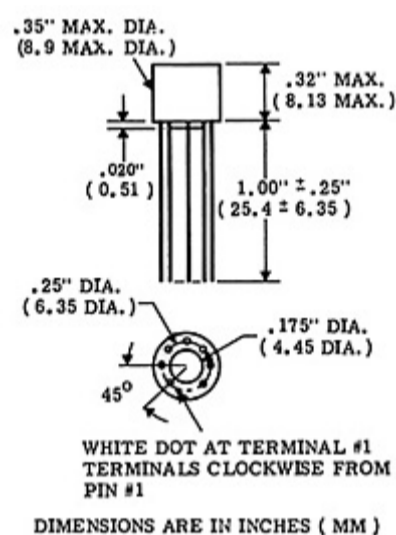


Ultra Miniature Transformers

W Series Thru Hole

Specifications

- **MIL-PRF-27:** All units manufactured to MIL-PRF-27, Grade 5, Class S.
- **FREQUENCY RESPONSE:** ± 3 db, 400 Hz - 100 KHz at 1.0 Milliwatt.
- **MAXIMUM DISTORTION:** 5% With Rated Power Level at 1 KHz and 400 Hz.
- **DIELECTRIC STRENGTH:** All Units Tested at 200 V RMS.
- **INSULATION RESISTANCE:** Greater Than 10,000 Megohms at 300 V DC.
- **WEIGHT:** 2.5 Grams.
- **OPERATING TEMPERATURE:** -55° C to +130° C
- **TERMINALS:** Solid .016 Diameter Conductor. Solderability per MIL-STD-202 Method 208.
- **THERMAL SHOCK:** 25 Cycles, Method 107, MIL-STD-202, Test Condition 55° C. to +130° C



Larger size drawing of W Series [1]

Ultra Miniature Transformers: W Series

Pico Part Number W Series	Prim. Imped. Ohms	Sec. Imped. Ohms Split Windings		Power Watts		Prim. Unbal. DC Curr. ma	Prim. DC Resist. Ohms	Sec. DC Resist. Ohms		Turns Ratio Prim/Sec.		Prices 1-9 *** (US \$)
		SER	PAR	1 KHz and higher	400 Hz and higher			Ser Conn	Par Conn	Sec Ser Conn	Sec Par Conn	
W-26003	10ct	10ct	2.5	.4	.075	31.6	1.1	1.3	.33	1:1	2:1	58.23
W-26005	20ct	8ct	2	.4	.075	22.3	2.2	1	.25	1.58:1	3.16:1	58.23
W-26010	20ct	20ct	5	.4	.075	22.3	2.2	2.6	.65	1:1	2:1	58.23
W-26015	32ct	32ct	8	.4	.075	17.6	3.5	4.2	1.05	1:1	2:1	58.23
W-26020	40ct	40ct	10	.4	.075	15.8	4	4.5	1.2	1:1	2:1	58.23

W-26025	48ct	16ct	4	.4	.075	14.4	5.3	1.9	.48	1.73:1	3.46:1	61.72
W-26030	50ct	50ct	12.5	.4	.075	14.1	5.6	6.5	1.6	1:1	2:1	61.72
W-26035	80ct	32ct	8	.4	.075	11.1	8	4	1	1.58:1	3.16:1	73.36
W-26040	100ct	40ct	10	.4	.075	10	10	4.5	1.2	1.58:1	3.16:1	61.72
W-26045	100ct	100ct	25	.4	.075	10	10	12	3	1:1	2:1	61.72

**Ultra Miniature Transformers:
W Series**

Pico Part Number W Series	Prim. Imped. Ohms	Sec. Imped. Ohms Split Windings		Power Watts		Prim. Unbal. DC Curr. ma	Prim. DC Resist. Ohms	Sec. DC Resist. Ohms		Turns Ratio Prim/Sec.		Prices 1-9 *** (US \$)
		SER	PAR	1 KHz and higher	400 Hz and higher			Ser Conn	Par Conn	Sec Ser Conn	Sec Par Conn	
W-26050	120ct	12.8ct	3.2	.4	.075	9.1	12	1.5	.38	3.06:1	6.12:1	55.53
W-26055	120ct	60ct	15	.4	.075	9.1	12	7.2	1.8	1.41:1	2.83:1	73.36
W-26060	120ct	120ct	30	.4	.075	9.1	12	14.5	3.6	1:1	2:1	73.36
W-26065	150ct	12ct	3	.4	.075	8.2	15	1.5	.38	3.54:1	7.08:1	55.53
W-26070	150ct	50ct	12.5	.4	.075	8.2	15	6	1.5	1.73:1	3.46:1	61.72
W-26075	150ct	100ct	25	.4	.075	8.2	15	12	3	1.22:1	2.45:1	61.72
W-26080	150ct	150ct	37.5	.4	.075	8.2	15	16.8	4.2	1:1	2:1	73.36
W-26085	150ct	600ct	150	.4	.075	8.2	15	70	17.5	1:2	1:1	61.72
W-26090	200ct	200ct	50	.4	.075	7	20	24	6	1:1	2:1	61.72
W-26095	300ct	12ct	3	.4	.075	5.8	30	1.5	.38	5:1	10:1	55.53
W-26100	300ct	50ct	12.5	.4	.075	5.8	30	6	1.5	2.45:1	4.9:1	61.72
W-26105	300ct	150ct	37.5	.4	.075	5.8	30	18	4.5	1.41:1	2.83:1	61.72
W-26110	300ct	300ct	75	.4	.075	5.8	30	36	9	1:1	2:1	73.36
W-26115	300ct	600ct	150	.4	.075	5.8	30	72	18	1:1.41	1.41:1	55.53
W-26120	320ct	12.8ct	3.2	.4	.075	5.6	32	1.5	.38	5:1	10:1	55.53
W-26125	400ct	40ct	10	.4	.075	5	40	4.5	1.1	3.16:1	6.32:1	73.36
W-26130	400ct	120ct	30	.4	.075	5	40	14	3.5	1.83:1	3.65:1	73.36
W-26135	400ct	200ct	50	.4	.075	5	40	24	6	1.41:1	2.83:1	61.72
W-26140	400ct	400ct	100	.4	.075	5	40	48	12	1:1	2:1	73.36
W-26145	400ct	1000ct	250	.4	.075	5	40	120	30	1:1.58	1.26:1	84.12
W-26150	400ct	2000ct	500	.4	.075	5	40	240	60	1:2.24	1:1.12	84.12
W-26155	400ct	4000ct	1000	.4	.075	5	40	480	120	1:3.16	1:1.58	76.02
W-26160	500ct	12.8ct	3.2	.4	.075	4.5	50	1.5	.38	6.25:1	12.5:1	64.39
W-26165	500ct	16ct	4	.4	.075	4.5	50	2	.5	5.6:1	11.2:1	64.39
W-26170	500ct	50ct	12.5	.4	.075	4.5	50	6	1.5	3.16:1	6.32:1	64.39
W-26175	500ct	150ct	37.5	.4	.075	4.5	50	18	4.5	1.83:1	3.65:1	64.39
W-26180	500ct	500ct	125	.4	.075	4.5	50	60	15	1:1	2:1	64.39
W-26185	*500ct	500ct	-	.4	.075	4.5	50	60	-	1:1	-	64.39
W-26190	500ct	600ct	150	.4	.075	4.5	50	72	18	1:1.1	1.83:1	64.39
W-26195	600ct	12.8ct	3.2	.4	.075	4.1	60	1.5	.38	6.85:1	13.7:1	55.53
W-26200	600ct	30ct	7.5	.4	.075	4.1	60	3.6	.9	4.47:1	8.94:1	58.23
W-26205	600ct	48ct	12	.4	.075	4.1	60	5.8	1.45	3.54:1	7.07:1	58.23
W-26210	600ct	200ct	50	.4	.075	4.1	60	24	6	1.73:1	3.46:1	58.23
W-26215	600ct	600ct	150	.4	.075	4.1	60	72	18	1:1	2:1	58.23
W-26220	*600ct	600ct	-	.4	.075	4.1	60	72	-	1:1	-	64.39
W-26225	600ct	1200ct	300	.4	.075	4.1	60	144	36	1:1.41	1.41:1	58.23
W-26230	640ct	12.8ct	3.2	.4	.075	3.9	64	1.5	.38	7.07:1	14.14:1	58.23
W-26235	700ct	100ct	25	.4	.075	3.8	70	12	3	2.65:1	5.29:1	58.23
W-26240	800ct	12.8ct	3.2	.4	.075	3.5	80	1.5	.38	7.9:1	15.8:1	58.23
W-26245	800ct	48ct	12	.4	.075	3.5	80	5.8	1.45	4.08:1	8.16:1	64.39
W-26250	800ct	800ct	200	.4	.075	3.5	80	96	24	1:1	2:1	58.23
W-26255	900ct	600ct	150	.4	.075	3.3	90	72	18	1.22:1	2.45:1	58.23
W-26260	1000ct	12ct	3	.4	.075	3.2	100	1.5	.38	9.13:1	18.3:1	58.23
W-26265	1000ct	50ct	12.5	.4	.075	3.2	100	6	1.5	4.47:1	8.94:1	64.39
W-26270	1000ct	1000ct	250	.4	.075	3.2	100	120	30	1:1	2:1	64.39

**Ultra Miniature Transformers:
W Series**

Pico Part Number W Series	Prim. Imped. Ohms	Sec. Imped. Ohms Split Windings		Power Watts		Prim. Unbal. DC Curr. ma	Prim. DC Resist. Ohms	Sec. DC Resist. Ohms		Turns Ratio Prim/Sec.		Prices 1-9 *** (US \$)
		SER	PAR	1 KHz and higher	400 Hz and higher			Ser Conn	Par Conn	Sec Ser Conn	Sec Par Conn	
W-26275	1060ct	12.8ct	3.2	.4	.075	3.1	106	1.5	.38	9.1:1	18.2:1	58.23
W-26280	1200ct	12.8ct	3.2	.4	.075	2.9	120	1.5	.38	9.68:1	19.4:1	52.43
W-26285	1200ct	500ct	125	.4	.075	2.9	120	60	15	1.55:1	3.1:1	52.43
W-26290	1200ct	1200ct	300	.4	.075	2.9	120	140	35	1:1	2:1	52.43
W-26295	*1200ct	1200ct	-	.4	.075	2.9	120	140	-	1:1	-	71.75
W-26300	1500ct	12ct	3	.4	.075	2.6	150	1.5	.38	11.2:1	22.4:1	58.23
W-26305	1500ct	500ct	125	.4	.075	2.6	150	60	15	1.73:1	3.46:1	64.42
W-26310	*1500ct	600ct	-	.4	.075	2.6	150	72	-	1.58:1	-	64.42
W-26315	*1500ct	1500ct	-	.4	.075	2.6	150	180	-	1:1	-	64.42
W-26320	1600ct	12.8ct	3.2	.4	.075	2.5	160	1.5	.38	11.2:1	22.4:1	58.23
W-26325	2000ct	8ct	2	.4	.075	2.2	200	1	.25	15.8:1	31.6:1	76.02
W-26330	2000ct	2000ct	500	.4	.075	2.2	200	240	60	1:1	2:1	76.02
W-26335	*2000ct	2000ct	-	.4	.075	2.2	200	240	-	1:1	-	84.12
W-26340	2000ct	8000ct	2000	.4	.075	2.2	200	960	240	1:2	1:1	76.02
W-26345	2500ct	2500ct	625	.4	.075	2	250	300	75	1:1	2:1	76.02
W-26350	3000ct	3000ct	725	.4	.075	1.8	300	360	90	1:1	2:1	61.86
W-26355	*3000ct	3000ct	-	.4	.075	1.8	300	360	-	1:1	-	84.12
W-26360	3600ct	3600ct	900	.4	.075	1.7	360	432	108	1:1	2:1	61.86
W-26365	4000ct	16ct	4	.4	.075	1.6	400	1.9	.47	15.8:1	31.6:1	76.02
W-26370	4000ct	600ct	150	.4	.075	1.6	400	72	18	2.58:1	5.16:1	76.02
W-26375	4000ct	1000ct	250	.4	.075	1.6	400	120	30	2:1	4:1	84.12
W-26380	*4000ct	8000ct	-	.4	.075	1.6	400	960	-	1:1.41	-	84.12
W-26385	5000ct	500ct	125	.4	.075	1.4	500	60	15	3.16:1	6.32:1	64.42
W-26390	5000ct	5000ct	1250	.4	.075	1.4	500	600	150	1:1	2:1	64.42
W-26395	7500ct	50ct	12.5	.33	.075	1.2	750	6	1.5	12.2:1	24.5:1	64.42
W-26400	7500ct	100ct	25	.33	.075	1.2	750	12	3	8.66:1	17.3:1	64.42
W-26405	7500ct	600ct	150	.33	.075	1.2	750	72	18	3.54:1	7.07:1	71.73
W-26410	7500ct	2500ct	625	.33	.075	1.2	750	300	75	1.73:1	3.46:1	71.73
W-26415	*7500ct	7500ct	-	.33	.075	1.2	750	900	-	1:1	-	84.12
W-26420	8000ct	12.8ct	3.2	.3	.075	1.1	800	1.5	.38	25:1	50:1	64.42
W-26425	8000ct	1000ct	250	.3	.075	1.1	800	120	30	2.83:1	5.66:1	71.73
W-26430	*8000ct	1200ct	-	.3	.075	1.1	800	144	-	2.58:1	-	84.12
W-26435	*9000ct	9000ct	-	.27	.075	1.1	900	1080	-	1:1	-	84.12
W-26440	10,000ct	12.8ct	3.2	.25	.075	1.0	1000	1.5	.38	28:1	56:1	58.23
W-26445	10,000ct	16ct	4	.25	.075	1.0	1000	1.92	.48	25:1	50:1	58.23
W-26450	10,000ct	100ct	25	.25	.075	1.0	1000	12	3	10:1	20:1	64.42
W-26455	10,000ct	200ct	50	.25	.075	1.0	1000	24	6	7.07:1	14.14:1	64.42
W-26460	10,000ct	500ct	125	.25	.075	1.0	1000	60	15	4.47:1	8.94:1	64.42
W-26465	10,000ct	600ct	150	.25	.075	1.0	1000	72	18	4.08:1	8.16:1	64.42
W-26470	10,000ct	1000ct	250	.25	.075	1.0	1000	120	30	3.16:1	6.32:1	64.42
W-26475	10,000ct	1200ct	300	.25	.075	1.0	1000	144	36	2.89:1	5.77:1	76.02
W-26480	10,000ct	1500ct	375	.25	.075	1.0	1000	180	45	2.58:1	5.16:1	76.02
W-26485	10,000ct	2000ct	500	.25	.075	1.0	1000	240	60	2.24:1	4.47:1	74.42
W-26490	10,000ct	5000ct	1250	.25	.075	1.0	1000	600	150	1.41:1	2.83:1	74.42
W-26495	10,000ct	7500ct	1875	.25	.075	1.0	1000	900	225	1.15:1	2.3:1	76.02
W-26500	10,000ct	10,000ct	2500	.25	.075	1.0	1000	1200	300	1:1	2:1	74.42
W-26505	*10,000ct	10,000ct	-	.25	.075	1.0	1000	1200	-	1:1	-	84.12
W-26510	15,000ct	400ct	100	.16	.075	.82	1500	48	12	6.12:1	12.24:1	73.36
W-26515	15,000ct	500ct	125	.16	.075	.82	1500	60	15	5.48:1	10.95:1	73.36
W-26520	15,000ct	600ct	150	.16	.075	.82	1500	72	18	5:1	10:1	73.36

Ultra Miniature Transformers: W Series

Pico Part Number W Series	Prim. Imped. Ohms	Sec. Imped. Ohms Split Windings		Power Watts		Prim. Unbal. DC Curr. ma	Prim. DC Resist. Ohms	Sec. DC Resist. Ohms		Turns Ratio Prim/Sec.		Prices 1-9 *** (US \$)
		SER	PAR	1 KHz and higher	400 Hz and higher			Ser Conn	Par Conn	Sec Ser Conn	Sec Par Conn	
W-26525	15,000ct	10,000ct	2500	.16	.075	.82	1500	1200	300	1.22:1	2.45:1	73.36
W-26530	*15,000ct	15,000ct	-	.16	.075	.82	1500	1800	-	1:1	-	84.12
W-26535	15,000ct	15,000ct	3750	.16	.075	.82	1500	1800	450	1:1	2:1	75.74
W-26540	16,000ct	1000ct	250	.15	.075	.8	1600	120	30	4:1	8:1	75.74
W-26545	20,000ct	500ct	125	.125	.075	.7	2000	60	15	6.33:1	12.65:1	73.36
W-26550	20,000ct	600ct	150	.125	.075	.7	2000	72	18	5.77:1	11.55:1	73.36
W-26555	20,000ct	800ct	200	.125	.075	.7	2000	96	24	5:1	10:1	67.07
W-26560	20,000ct	1000ct	250	.125	.075	.7	2000	120	30	4.47:1	8.94:1	84.12
W-26565	20,000ct	5000ct	1250	.125	.075	.7	2000	600	150	2:1	4:1	73.36
W-26570	20,000ct	10,000ct	2500	.125	.075	.7	2000	1200	300	1.41:1	2.83:1	73.36
W-26575	*20,000ct	20,000ct	-	.125	.075	.7	2000	2400	-	1:1	-	84.12
W-26580	25,000ct	500ct	125	.1	.075	.63	2500	60	15	7.07:1	14.14:1	76.02
W-26585	25,000ct	1000ct	250	.1	.075	.63	2500	120	30	5:1	10:1	76.02
W-26590	30,000ct	50ct	12.5	.083	.075	.58	3000	6	1.5	24.5:1	49:1	76.02
W-26595	30,000ct	1200ct	300	.083	.075	.58	3000	144	36	5:1	10:1	76.02
W-26600	30,000ct	500ct	125	.083	.075	.58	3000	60	15	7.75:1	15.5:1	76.02
W-26605	30,000ct	200ct	50	.083	.075	.58	3000	24	6	12.25:1	24.5:1	76.02
W-26610	30,000ct	5000ct	1250	.083	.075	.58	3000	600	150	2.45:1	4.9:1	76.02
W-26615	30,000ct	10,000ct	2500	.083	.075	.58	3000	1200	300	1.73:1	3.46:1	76.02
W-26620	*30,000ct	30,000ct	-	.083	.075	.58	3000	3600	-	1:1	-	84.12
W-26625	40,000ct	400ct	100	.062	.062	.5	4000	48	12	10:1	20:1	84.12
W-SHIELD: MU-METAL SHIELD .37" d x .32" h (9.4 mm d x 8.1 mm h) SINGLE SHIELD												10.05
WXX-SHIELD: MU-METAL SHIELD .395" d x .33" h (10 mm d x 8.4 mm h) USE WITH W-SHIELD FOR DOUBLE SHIELDING												10.05

* Includes Electrostatic Shield

**Discount Prices:

- 1-9 Net;
- 10-24 less 10%;
- 25-49 less 16%;
- 50-99 less 23%;
- 100-499 less 30%

Ordering Instructions:

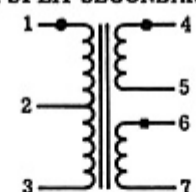
- No minimum.
- Net 30 days F.O.B. Pelham, NY
- **Delivery--stock to one week for sample orders.**

[Click Here For Surface Mount Version of W Series \[2\]](#)

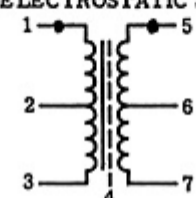
FEATURES

- Extreme resistance to thermal shock
- Ultra miniature size
- PICO is approved QPL Source (Mil-PRF-27)
- Magnetic Shields available
- Electrostatic shielding can be added
- Variation of standard designs available
- Special production techniques ensure uniform size and leads which are free of encapsulant. No meniscus in lead area.
- Every unit can be made with a 300 thermal cycle guarantee using PICO's special SR construction. Contact factory for details.

SCHMATIC FOR TRANSFORMERS WITH SPLIT SECONDARIES



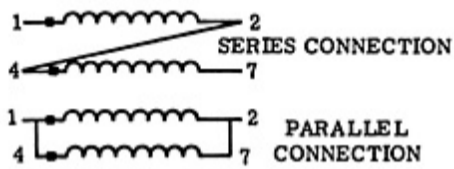
SCHMATIC FOR TRANSFORMERS WITH ELECTROSTATIC SHIELD



INDUCTORS

PART NUMBERS	INDUCTANCE SERIES	DC CURRENT ma	DC RESISTANCE OHMS
W-26705	SERIES 0.1 .08	4 10	25 6.5
	PARALLEL .025 .02	8 20	
W-26710	SERIES 0.9 0.5	2 6	105 26
	PARALLEL .23 .13	4 12	
W-26715	SERIES 2.5 0.9	2 4	630 160
	PARALLEL 0.6 0.23	4 8	
W-26720	SERIES 4.5 1.2	2 4	2300 575
	PARALLEL 1.1 0.3	4 8	

SCHEMATIC FOR INDUCTORS



Inductors: All inductors have split windings and measurements are listed for both series and parallel connections. Two values of inductance, each at a particular value of DC Current, are listed for each inductor.

Delivery - stock to one week for sample orders.

For immediate engineering assistance or to place an order:

Call Toll Free: 800-431-1064

PICO Electronics, Inc.

143 Sparks Ave. Pelham, NY 10803-1810

Tel: 914-738-1400 or Fax: 914-738-8225

[Go back to Thru Hole Transformers and Inductors menu^{\[3\]}](#)