

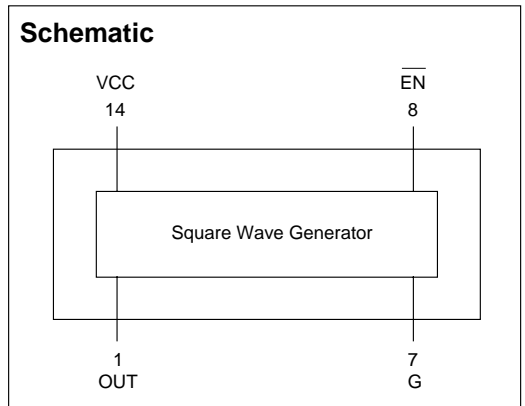
14 Pin DIP TTL Square-Wave Generator

Features

- Output frequencies from 2 to 100 MHz $\pm 5\%$
- Low Profile 14 pin dual-in-line package
- Operating temperature range 0 to 70 °C
- Output synchronized using enable line
- Inherent Delay 4nS Typ.
- 50% duty cycle
- Schottky TTL

PART NUMBER	MHz $\pm 5\%$	PART NUMBER	MHz $\pm 5\%$
EP8250	2	EP8259	35
EP8251	3	EP8260	40
EP8252	4	EP8261	45
EP8253	5	EP8262	50
EP8254	10	EP8263	60
EP8255	15	EP8264	70
EP8256	20	EP8265	80
EP8257	25	EP8266	90
EP8258	30	EP8267	100

DC Electrical Characteristics			Min	Max	Unit
Parameter	Test Conditions				
V _{OH}	High-Level Output Voltage	V _{CC} = min. V _{IL} = max. I _{OH} = max	2.7		V
V _{OL}	Low-Level Output Voltage	V _{CC} = min. V _{IH} = min. I _{OL} = max		0.5	V
V _{IK}	Input Clamp Voltage	V _{CC} = min. I _I = I _{IK}		-1.2V	V
I _{IH}	High-Level Input Current	V _{CC} = max. V _{IN} = 2.7V		50	μ A
		V _{CC} = max. V _{IN} = 5.25V		1.0	mA
I _{IL}	Low-Level Input Current	V _{CC} = max. V _{IN} = 0.5V		-2	mA
I _{OS}	Short Circuit Output Current	V _{CC} = max. V _{OUT} = 0.	-40	-100	mA
I _{CCH}	High-Level Supply Current	V _{CC} = max. V _{IN} = OPEN		75	mA
I _{CCL}	Low-Level Supply Current	V _{CC} = max. V _{IN} = 0		75	mA
T _{RO}	Output Rise Time	V _{CC} = 5.0V		4	nS
N _H	Fanout High-Level Output	V _{CC} = max. V _{OH} = 2.7V		20 TTL LOAD	
N _L	Fanout Low-Level Output	V _{CC} = max. V _{OL} = 0.5V		10 TTL LOAD	



Recommended Operating Conditions		Min	Max	Unit
V _{CC}	Supply Voltage	4.75	5.25	V
V _{IH}	High-Level Input Voltage	2.0		V
V _{IL}	Low-Level Input Voltage		0.8	V
I _{IK}	Input Clamp Current		-18	mA
I _{OH}	High-Level Output Current		-1.0	mA
I _{OL}	Low-Level Output Current		20	mA
d	Duty Cycle	45	55	%
T _A	Operating Free-Air Temperature	0	+70	°C

