

VC08-Series Specifications



12.50L x 12.50W x 7.50H (mm)

PDI VC08-Series Voltage Controlled Crystal Oscillator (VCXO) ensure a precise frequency under demanding circumstances. With ultra-low phase noise, low jitter, and excellent performance in high vibration environments, this VCXO is offered in both standard and custom frequencies. PDI provides quick-turn sampling for your proto-typing needs, mass production capability, and competitive pricing.

ex) **VC08-25000X-C-B-B-3-R-X***

FREQUENCY

00500X-99999X =
0.500 MHz – 99.000 MHz
C10000-C16000 =
100.000 MHz – 160.000 MHz

OUTPUT

C = TTL/CMOS
O = LVCMOS

FREQUENCY STABILITY

B = +/-25
(Temp A & B)
C = +/-50
S = Special

OPERATING TEMPERATURE

A = 0 to +70°C
B = -20 to +70°C
D = -40 to +85°C
E = -55 to +125°C
S = Special

SUPPLY VOLTAGE

3 = 3.3
5 = 5.0

PACKAGE

G = Surface Mount Gull Wing
R = Tape & Reel
S-Z = Special Circumstances

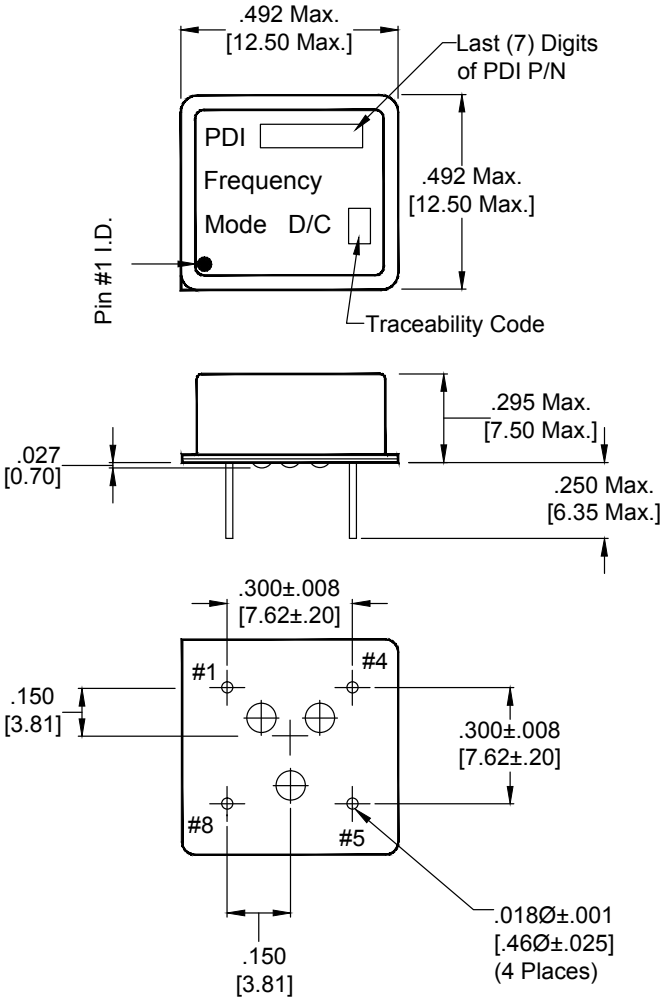
*(X) for standard or assigned for customization.


Parameter	Frequency Range*1			Units
	0.5000 to 30.0000	30.0001 to 70.0000	70.0001 to 160.0000	MHz
Frequency Stability*1	Temp Range A and B			ppm
	All Temp Ranges			
Frequency Adjustment	Voltage Control Range			%Vcc
	Tuning Sensitivity			ppm/V
	Slope			Monotonic and Positive*2
	Linearity (Max.)			%
	Input Impedance (Min.)			Ohm
	Modulation Bandwidth (Min.)			kHz
Temperature Range*1	Operating			°C
	Storage			
Supply Voltage*1	Vcc			V
Supply Current	Per Option			mA
	3.3V	20	25	
Load (Max.)	5.0V			pF
	3.3V	15		
Rise/Fall Times (Max.)	5.0V			ns
	3.3V	10	5	
Logic "1" (Min.)	TTL/CMOS			Vdc
	HCMOS			%Vcc
Logic "0" (Max.)	TTL/CMOS			Vdc
	HCMOS			%Vcc
Tri-State	High (≥ 70% Vcc) or Open			Enable
	High (≤ 30% Vcc)			Disable
Typical Phase Noise	At 10 Hz			dBc/Hz
	At 100 Hz			
	At 1 kHz			
	At 10 kHz			
	At 100 kHz			

VC08-Series 12.50 x 12.50 x 7.50 (mm)

PPDI VC08-Series Voltage Controlled Crystal Oscillator (VCXO) ensure a precise frequency under demanding circumstances. With ultra-low phase noise, low jitter, and excellent performance in high vibration environments, this VCXO is offered in both standard and custom frequencies. PDI provides quick-turn sampling for your proto-typing needs, mass production capability, and competitive pricing.

PIN	CONNECTION
1	Voltage Control
2	Ground/Case
3	Output
4	Supply Voltage



 <p>RoHS Compliant EU 2002/95/EC Precision Devices, Inc.</p>	<p>*1 Not all Frequency/Temperature/Voltage combinations are available. *2 Increasing control voltage increases output frequency.</p>	<p>NOTES: Terminals are Au. Other options are available, please consult factory. All product is supplied RoHS and REACH compliant. Product can be supplied on Tape and Reel, on reels of 1,000 units. Not all Frequency/Temperature combinations are available. Decimal $XXX = \pm .008$, $XX = \pm .020$ Metric [$XXX = \pm .20$], [$XX = \pm .50$] Specifications subject to change without notice, last updated 4/1/13.</p>
--	---	---