

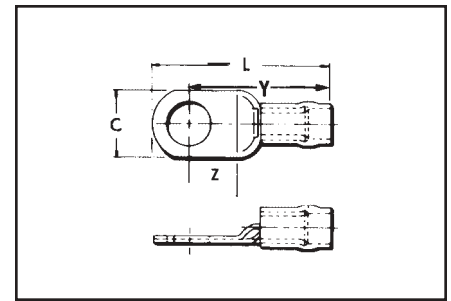
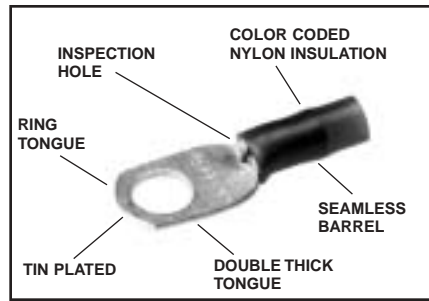
TYPES YAEV AND YAEV-L

INSULUG™

TERMINAL - NYLON INSULATED - RING-TONGUE

300 VOLTS MAX. 105° C MAX.

The INSULUG™ type YAEV is designed for very demanding high vibration applications encountered in aircraft and aboard ships as well as motor lead applications in hospitals, industrials and generating plants. The nylon insulated seamless, electrolytic copper barrel with double thick tongue provides an extra strong insulated connection. The terminal is rated 105°C and meets MIL-T-7928 requirements.



Features and Benefits

- Double thick tongue.
 - ◇ Provides maximum reliability and electrical capacity plus an extra strong terminal tongue.
- Manufactured from one-piece pure electrolytic copper.
 - ◇ Provides high conductivity, low resistance with no seams to split plus ductility for excellent crimp forming properties.
- Electro-tin plated.
 - ◇ Provides long-lasting corrosion resistance.
- Nylon insulation is locked in place.
 - ◇ Insulation will not move or twist off.
- 300 volt nylon insulation.
 - ◇ High dielectric strength and stability in demanding oily environmental conditions.
- Color Coded.
 - ◇ Provides quick, easy wire size connector selection.

CATALOG NUMBER	WIRE RANGE AWG AN AIRCRAFT	STUD SIZE	MS25036- * DASH NO.	DIMENSIONS				BULK CATALOG NUMBER	INSTALLATION TOOLING	WIRE STRIP LENGTH
				C	Z MIN.	Y MAX.	L MAX.			
YAEV18 BOX	22-18 Max. Insul. Dia. Accom.: .125 Color Code: Red	8-10	—	.31	.24	.77	.91	YAEV18	Ratchet: MR8D94	1/4"
YAEV14 BOX	18-14 Max. Insul. Dia. Accom.: .154 Color Code: Blue	8-10	—	.31	.24	.88	.94	YAEV14	Ratchet: MR18, MR8D94	1/4"
YAEV10-T7 BOX	12-10 Max. Insul. Dia. Accom.: .209 Color Code: Yellow	4-5	—	.30	.24	.95	1.09	YAEV10-T7	Ratchet: MR8D94 MR8-33-T1 M8ND with N10ET-9 DIE MR18* MR4 10M	5/16"
YAEV10-T11 BOX		6-8	—	.37	.26	.97	1.14	YAEV10-T11		
YAEV10 BOX		8-10	—	.37	.26	.97	1.14	YAEV10		
YAEV10-L36 BOX		8-10	—	.30	.18	.89	1.04	YAEV10-L36		
YAEV10-T3 BOX		1/4	—	.47	.38	1.12	1.30	YAEV10-T3		
YAEV10-T2 BOX		5/16	—	.53	.31	1.12	1.30	YAEV10-T2		
YAEV10-T4 BOX		3/8	—	.56	.35	1.12	1.35	YAEV10-T4		

* No. 10 Str. Cu. only.

TYPES YAEV AND YAEV-L

(Continued)

INSULUG™

B-20

CATALOG NUMBER	WIRE RANGE	STUD SIZE †	MS25036 DASH NO.	DIMENSIONS				BULK CATALOG NUMBER	INSTALLATION TOOLING	HYPRESS Y29NC		WIRE STRIP LENGTH
				C	Z MIN.	Y MAX.	L MAX.			NEST	INDENTOR	
YAEV8C-L14 BOX	8 Str. Max. Insul. Dia. Accom.: .258 Color Code: Red	6-8	—	.41	.28	1.20	1.40	YAEV8C-L14	Ratchet: M8ND with N8CET-2 Die Non-Ratchet: MY28-6* Hydraulic: Y35, Y39 with U8CET Die Set	DEV8L	Y29PLE-1 Y29PLE-1	7/16"
YAEV8C-L BOX		8-10	-115	.41	.28	1.20	1.40	YAEV8C-L				
YAEV8C-L1 BOX		1/4	-116	.46	.33	1.24	1.47	YAEV8-L1				
YAEV8C-L2 BOX		5/16	-117	.57	.35	1.28	1.55	YAEV8C-L2				
YAEV8C-L3 BOX		3/8	-118	.57	.35	1.39	1.55	YAEV8C-L3				
YAEV8C-L4 BOX	1/2	—	.73	.47	1.39	1.75	YAEV8C-L4					
—	6 Str. Max. Insul. Dia. Accom.: .313 Color Code: Blue	8-10	-119**	.48	.29	1.33	1.56	YAEV6C-L1**	Non-Ratchet: MY28-6* Hydraulic: Y35, Y39 with U6CET Die Set	DEV6L	Y29PLE-1 Y29PLE-1	1/2"
—		1/4	-120**	.48	.29	1.33	1.56	YAEV6C-L**				
—		5/16	-121**	.60	.36	1.39	1.68	YAEV6C-L4**				
—		3/8	-122**	.60	.36	1.39	1.68	YAEV6C-L2**				
—		1/2	—	.73	.47	1.53	1.91	YAEV6C-L10				
—	4 Str. Max. Insul. Dia. Accom.: .374 Color Code: Yellow	8-10	—	.55	.28	1.40	1.62	YAEV4C-L3	Non-Ratchet: MY28-6* Hydraulic: Y35, Y39 with U4CET Die Set	DEV4L	Y29PLE-1 Y29PLE-1	1/2"
—		1/4	-123	.55	.28	1.37	1.62	YAEV4C-L				
—		5/16	-124	.63	.34	1.43	1.74	YAEV4C-L4				
—		3/8	-125	.63	.34	1.43	1.74	YAEV4C-L2				
—		1/2	—	.73	.47	1.56	1.92	YAEV4C-L5				
—	2 Str. Max. Insul. Dia. Accom.: .459 Color Code: Red	10	—	.69	.35	1.72	2.03	YAEV2C-L3	Non-Ratchet: MY28-6* Hydraulic: Y35, Y39 with U2CET Die Set	DEV2L	Y29PLE-1 Y29PLE-1	5/8"
—		1/4	-126	.69	.35	1.61	2.03	YAEV2C-L1				
—		5/16	—	.69	.35	1.68	2.03	YAEV2C-L2				
—		3/8	-127	.69	.35	1.69	2.03	YAEV2C-L				
—		1/2	-128	.77	.47	1.80	2.16	YAEV2C-L4				
—	1 Str. Max. Insul. Dia. Accom.: .516 Color Code: White	1/4	-129	.76	.38	1.63	2.14	YAEV1C-L1	Non-Ratchet: MY28-6* Hydraulic: Y35, Y39 with U1CET Die Set	DV26L	Y29PLE-1 Y29PLE-1	5/8"
—		5/16	—	.76	.38	1.71	2.14	YAEV1C-L2				
—		3/8	-130	.76	.38	1.72	2.14	YAEV1C-L				
—		1/2	-131	.86	.47	1.86	2.27	YAEV1C-L3				
—		1/0 Str.	1/4	-132	.83	.43	1.97	2.40				
—	Max. Insul. Dia. Accom.: .564 Color Code: Blue	5/16	—	.83	.43	1.97	2.40	YAEV25-L2	Non-Ratchet: MY28-6* Hydraulic: Y35, Y39 with U25ET Die Set	DEV25L	Y29PLE-1 Y29PLE-1	11/16"
—		3/8	-133	.83	.43	1.97	2.40	YAEV25-L				
—		1/2	-134	.88	.47	2.02	2.46	YAEV25-L3				
—		5/8	—	.88	.63	2.17	2.67	YAEV25-L4				
—		2/0 Str.	1/4	—	.93	.49	2.19	2.72				
—	Max. Insul. Dia. Accom.: .628 Color Code: Yellow	5/16	-135	.93	.49	2.19	2.72	YAEV26-L2	Non-Ratchet: MY28-6* Hydraulic: Y35, Y39 with U26ET Die Set	DEV26L	Y29PLE-1 Y29PLE-1	13/16"
—		3/8	-136	.93	.49	2.19	2.72	YAEV26-L				
—		1/2	-137	.93	.49	2.27	2.72	YAEV26-L3				
—		5/8	—	.93	.63	2.43	2.72	YAEV26-L12				
—		2/0 Str.	1/4	—	.93	.49	2.19	2.72				

† Additional terminal stud sizes available.

* BMY, BNCH-MT bench mount adapter available.

** NOTE: Add suffix "M" to cat. number to conform to MS25036 - standard for these items only (example: YAEV6C-L1M).

See above. Contact Burndy for UL listed products.