



**Caravel AC - CLE3L2 - 020190**  
 (Family) (Model) (Part Number)

### Electrical Specifications

Rated Voltage:	230 VAC
AC Frequency:	60 Hz
Power Supply:	60.0 Watts
Line Current:	0.25 Amps
Locked Rotor Current	0.70 Amps
Nominal Speed:	1650 RPM

### Mechanical Specifications

Dimensions:	10.00in x 3.50in
Weight	70.4 oz
Max Airflow @ 0 in H <sub>2</sub> O	525.0 CFM
Max Pressure @ 0 CFM	0.331 in H <sub>2</sub> O
Noise	49.2 dBA



#### North American Sales Office

Phone: +1 (972) 644 5591  
 sales@comairrotron.com

#### European Sales Office

Phone: +44 7595 221168  
 saleseurope@comairrotron.com

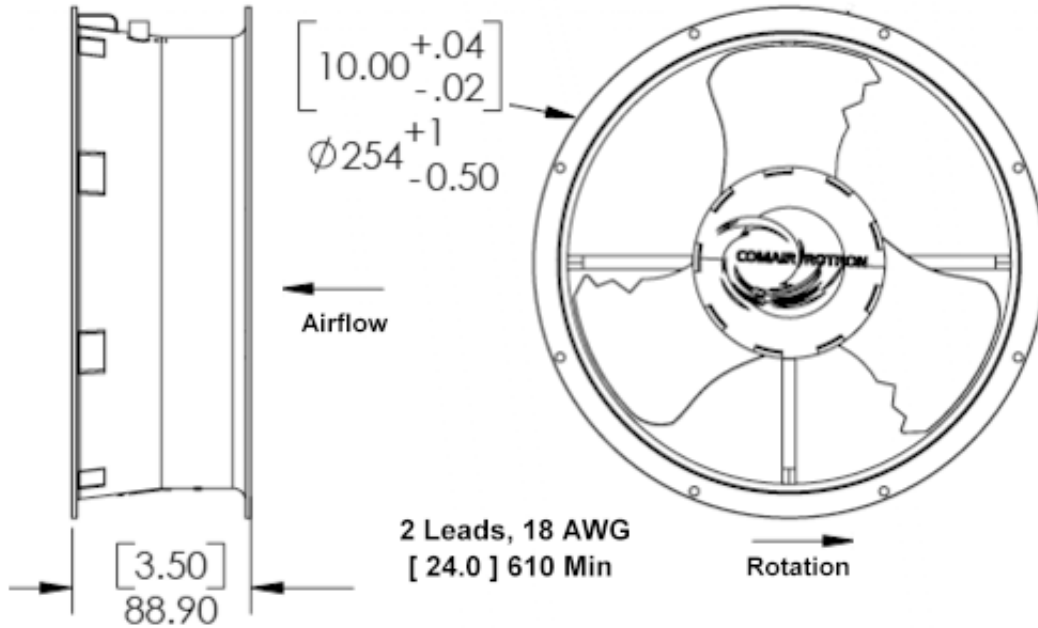
#### Asian Sales Office

Phone: +86 21 623 91966  
 salesasia@comairrotron.com

Print Date: Friday, March 23, 2012 at 02:35:09 - AC Fan Datasheet - Web Version 1.0 Rev. A



## Mechanical Drawing

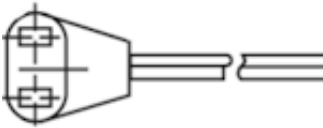


## Options

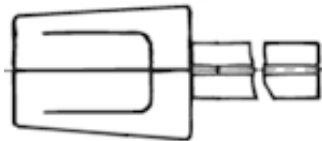
Part Number	Model Number	Bearing Type	Fan Rotation	Termination	In-Stock <small>(Click 'Yes' for current stock)</small>
<input checked="" type="radio"/> 020190	CLE3L2	Ball	Normal	24 in min 18 AWG Leads	No
<input type="radio"/> 020191	CLE3T2	Ball	Normal	Solder Terminals	No

## Accessories (Click on part number for detailed drawing.)

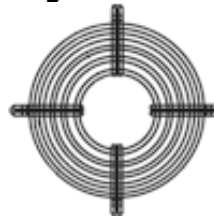
**428056**  
Plug and Cord



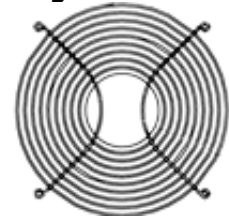
**550440**  
Plug and Cord



**476323**  
Finger Guard



**557923**  
Finger Guard



**North American Sales Office**  
Phone: +1 (972) 644 5591  
sales@comairrotron.com

**European Sales Office**  
Phone: +44 7595 221168  
saleseurope@comairrotron.com

**Asian Sales Office**  
Phone: +86 21 623 91966  
salesasia@comairrotron.com

Print Date: Friday, March 23, 2012 at 02:35:09 - AC Fan Datasheet - Web Version 1.0 Rev. A