

CATALOG NUMBER

B019-K36-03

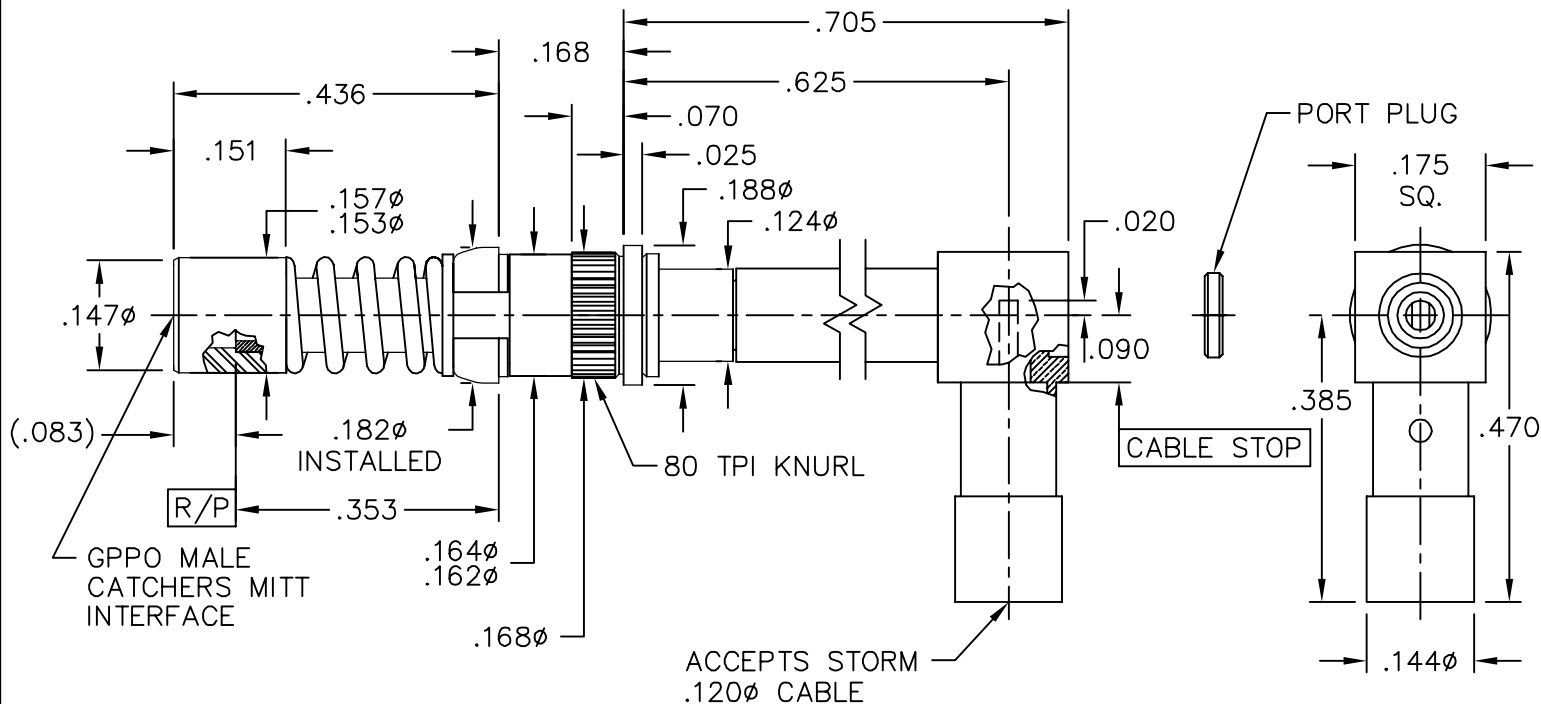
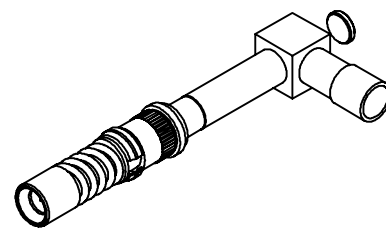
MATERIAL AND FINISH

SHROUDS AND SLEEVE: CRES 303; PASSIVATED

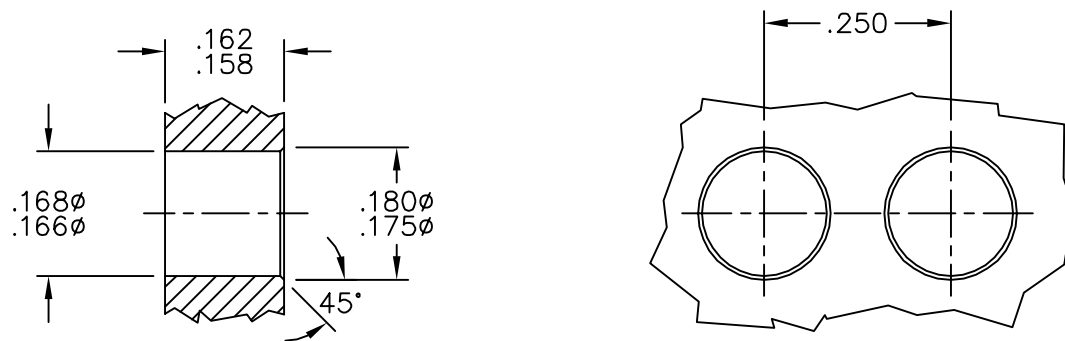
CONTACTS, RING, R/A HOUSING, AND EXTENSIONS: BeCu; GOLD PLATE 50-100 MICROINCHES OVER NICKEL PLATE 50 MICROINCHES MIN.

DIELECTRICS: VIRGIN PTFE

SPRING: STAINLESS STEEL 17-7



RECOMMENDED MOUNTING HOLE



This drawing and any data contained herein is the property of Corning Gilbert Inc., and constitutes and contains proprietary and confidential information. Neither receipt nor possession of this drawing confers or transfers any right to duplicate, use or disclose any information contained herein except as expressly authorized by Corning Gilbert Inc.

GPPO MALE CATCHERS  
MITT R/A FLOAT MOUNT  
TO STORM .120 CABLE

IDENT CODE:

82316

REVISION: A

Corning Gilbert Inc.

SOURCE FILE: MECR# 2739

DWG. NO.:

OL-B019-K36-03

ASSY. PROC.: AP01-134