

NOTES:

1. MATERIALS AND FINISHES: (PLATING THICKNESS IN MICRO-INCHES)
 BODY - BRASS, NICKEL PLATING
 CONTACT - BERYLLIUM COPPER, GOLD PLATING
 INSULATORS - PTFE

2. ELECTRICAL:
 A. IMPEDANCE: 75 OHM

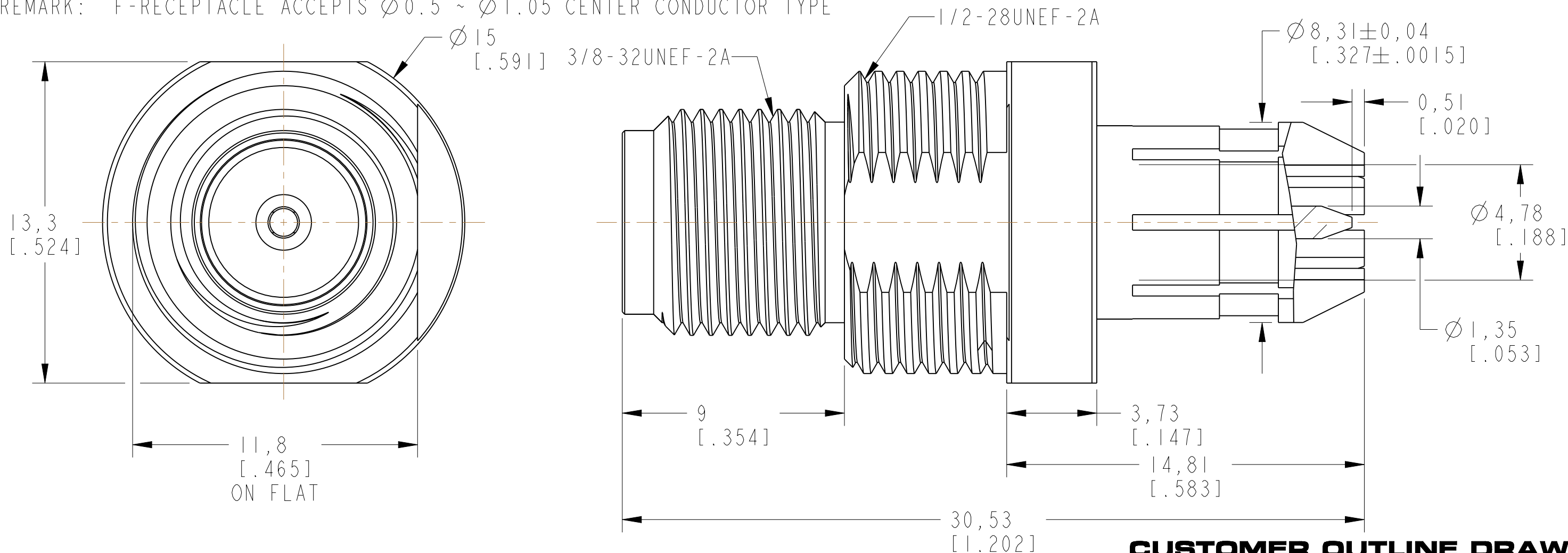
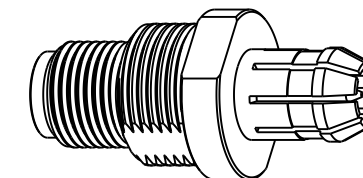
3. MECHANICAL:
 A. DURABILITY: 500 CYCLES MIN.
 B. TEMPERATURA RANGE: -65° C TO +165° C

REMARK: F-RECEPTACLE ACCEPTS Ø0.5 ~ Ø1.05 CENTER CONDUCTOR TYPE

THIRD ANGLE PROJ.

REVISIONS

REV	DESCRIPTION	DATE	ECO	APPR
A	RELEASE TO MFG	8-Jun-03		TOM
B	MODIFY FLANGE DIMENSION TO Ø8.31	1-Mar-04		
C	MODIFY FLANGE LENGTH TO 14.02 / ID TO Ø5.54	25-Jun-04		
D	UPDATE PUSH-ON BODY	13-Nov-07		
E	REDRAWN IN PRO/E, SYNC	10-Mar-15	2881	MJD



CUSTOMER OUTLINE DRAWING
 ALL OTHER SHEETS ARE FOR INTERNAL USE ONLY

UNLESS OTHERWISE SPECIFIED, DIMENSIONS ARE IN METRIC AND TOLERANCES ARE:
 <0.5mm ±0.05mm 0.5 - 6mm ±0.1mm 6 - 30mm ±0.2mm 30 - 120mm ±0.3mm ANGLES ±1°

NOTICE - These drawings, specifications, or other data (1) are, and remain the property of Amphenol corp. (2) must be returned upon request; and (3) are confidential and not to be disclosed to any person other than those to whom they are given by Amphenol Corp. the furnishing of these drawings, specifications, or other data by Amphenol Corp., or to any other person to anyone for any purpose is not to be regarded by implication or otherwise in any manner licensing, granting rights to permitting such holder or any other person to manufacture, use or sell any product, process or design, patented or otherwise, that may in any way be related to or disclosed by said drawings, specifications, or other data.

MATERIAL	DRAWN J.CHEN	DATE 05-Mar-15	TITLE F FEMALE TO MALE THRU BNC ADAPTOR		Amphenol Connex
REFERENCE FF-SPCMI-NT3G-75	ENGINEER SHARON	DATE 28-Feb-04	SCALE: 2.0:1.0 SHEET 3 OF 3		
CONFIGURATION LEVEL: In Work	APPROVED	DATE	DWG SIZE B	REV E	DRAWING NO.
FINISH	CAD FILE				ITEM NO.
					PART NO.112532-12