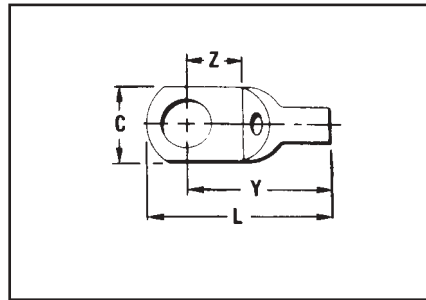


TYPES YAV BOX AND YAV

HYLUG™

B-14

SEAMLESS UNINSULATED
COMPRESSION HEAVY DUTY
RING TONGUE TERMINAL



CATALOG NUMBER	WIRE RANGE	STUD SIZE	DIMENSIONS				BULK CAT. NO.	INSTALLATION TOOLING	WIRE STRIP LENGTH
			C	L MAX.	Y MAX.	Z MIN.			
YAV18-T4 BOX	22-18 Str. and Sol.	3, 4	.19	.62	.54	.16	YAV18-T4	Non-Ratchet: Y10D, Y10-22 Ratchet: MR8G98, MR8-9Q, Y8MRB-1, MR20	9/32"
YAV18-L33 BOX		4-6	.25	.67	.55	.18	YAV18-L33		
YAV18-T5 BOX		4-6	.31	.76	.61	.24	YAV18-T5		
YAV18-T1 BOX		6-8	.31	.76	.61	.24	YAV18-T1		
YAV18 BOX		8-10	.31	.76	.61	.24	YAV18		
YAV14-L33 BOX	20-14 Str.	4-6	.25	.71	.59	.18	YAV14-L33	Non-Ratchet: Y10D, Y10-22 Ratchet: MR8G98, MR8-9Q, Y8MRB-1, MR20	9/32"
YAV14-T5 BOX		4-6	.31	.79	.64	.24	YAV14-T5		
YAV14-T1 BOX		6-8	.31	.79	.64	.24	YAV14-T1		
YAV14-L36 BOX		8-10	.29	.74	.59	.18	YAV14-L36		
YAV14 BOX	20-12 Sol.	8-10	.31	.79	.64	.24	YAV14	Non-Ratchet: Y10D, Y10-22 Ratchet: MR8G98, MR8-9Q, Y8MRB-1, MR20	9/32"
YAV14-T2 BOX		1/4	.42	.99	.75	.32	YAV14-T2		
YAV14-T3 BOX		5/16	.44	.99	.75	.32	YAV14-T3		
YAV12-G2 BOX ■	14-12 Str.	8-10	.30	.82	.67	.24	YAV12-G2	Y10D, Y8MRB-1 M8ND w/N14HT	9/32"
YAV12-G3 BOX ■		1/4	.36	1.00	.76	.34	YAV12-G3		
YAV10-T7 BOX	†14 Str. 12-10 Str. and Sol.	4-6	.30	.93	.78	.24	YAV10-T7	Non-Ratchet: Y10, Y10-22 Ratchet: MR8G98, MR8-9Q, Y8MRB-1, MR20	7/16"
YAV10-T11 BOX		6-8	.38	.97	.79	.26	YAV10-T11		
YAV10-L36 BOX		8-10	.29	.86	.71	.23	YAV10-L36		
YAV10 BOX		8-10	.38	.97	.79	.26	YAV10		
YAV10-T3 BOX		1/4	.47	1.10	.87	.32	YAV10-T3		
YAV10-T2 BOX		5/16	.53	1.13	.87	.31	YAV10-T2		
YAV10-T4 BOX		3/8	.56	1.18	.90	.35	YAV10-T4		
YAV9C-L36 BOX		10-9 Str.	8-10	.31	.97	.83	.15		
YAV9C-T9 BOX	1/4		.44	1.19	.95	.31	YAV9C-T9		
YAV9C-T4 BOX	5/16		.52	1.27	1.02	.36	—		

● Available in (90°) right angle design.

* Use #10 groove

■ Use #14 groove

† UL listed for 14 Str. to #10 Sol. & Str. when installed with MR8G98 and Y8MRB-1 tools only.