



Application

Dialight vertical board mount OPTOPIPE® light pipes provide an excellent solution for products that contain a PCB that is parallel to the panel in need of indication. These UL94-V0 Water Clear Polycarbonate light pipes are secured to the PCB using a custom snap-fit base that is easy to install. Vertical light pipes are ideal for building automation and other industrial applications. Dialight's OPTOPIPE® light pipes provide a great way to efficiently transfer light.

Certifications & Ratings

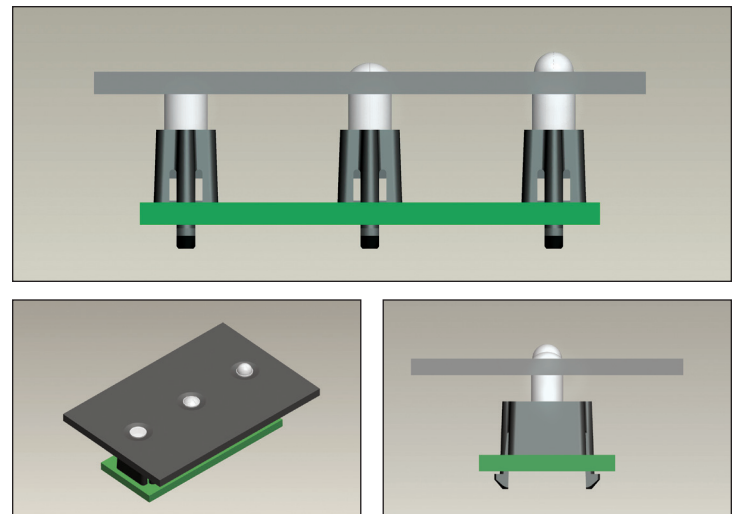
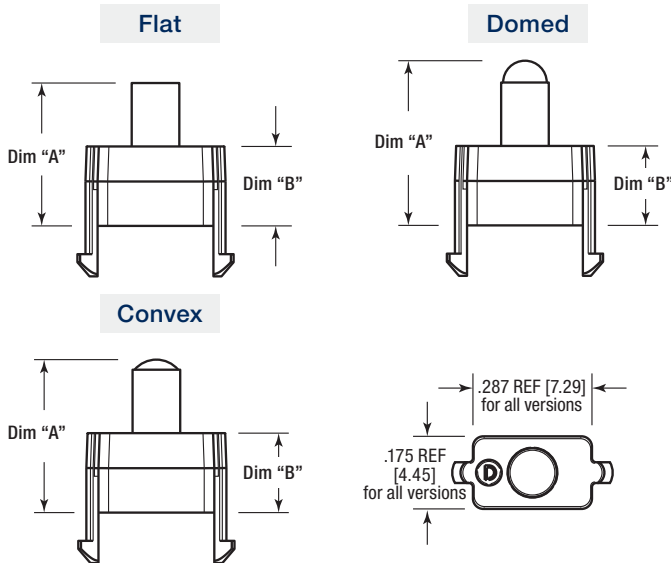
- RoHS compliant

Features & Benefits

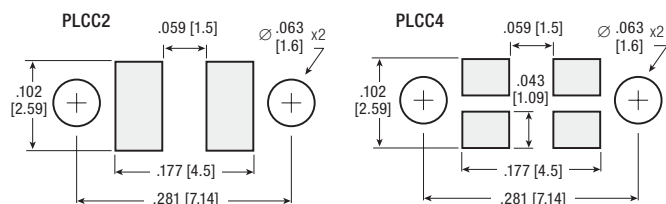
- Lengths varying from .250" to 1.250"
- Three lens styles for optimal viewing angles; Flat, Convex, and Domed
- Designed for both single and multi-color LEDs
- Positive snap-in mounting to .063" ± .007" (1.6 ± 0.178 mm) PCB with opaque light barrier
- Low-voltage and minimal power consumption
- Light is produced through photonic emission, not as a by-product of a radiating heat source
- Molded from RoHS compliant UL94-V0 Water Clear Polycarbonate with an oxygen index of 35%
- Designed to be used with Dialight PLCC-2 and PLCC-4 surface mount LEDs 597-XXXX-207F (pad layout shown). See the Surface Mount Selector Guide for LED operating characteristics. Lower profile surface mount LEDs in 598 and 597 series can be used as well as reverse mount LEDs. Please consult factory for availability.

Dimensions

inches [mm]



Recommended Solder Pad and Through Hole Layout



Single Color

Multi-Color



Ordering Information Series 515

Part Number Guide

F=Clear, DF=Diffused

5	1	5	-	1	1	9	X	-	X	X	X	X	X	F
								Lens Shape						
								Flat	2	Length in inches; see Dim A below				
								Convex	3					
								Domed	4					
								LED Type						
								0	PLCC2 or PLCC4					
								1	Chip LED					
								2	Reverse Mount					

Flat Lens

Dialight P/N			Dim "A"	Dim "B"
PLCC or PLCC4	Chip LED	Reverse Mount		

Clear

515-1192-00250F	515-1192-10250F	515-1192-20250F	.250 [6.35]	.197 [5.0]
515-1192-00300F	515-1192-10300F	515-1192-20300F	.300 [7.62]	.197 [5.0]
515-1192-00350F	515-1192-10350F	515-1192-20350F	.350 [8.89]	.197 [5.0]
515-1192-00450F	515-1192-10450F	515-1192-20450F	.450 [11.43]	.197 [5.0]
515-1192-00550F	515-1192-10550F	515-1192-20550F	.550 [13.97]	.375 [9.53]
515-1192-00600F			.600 [15.24]	.375 [9.53]
515-1192-00630F	515-1192-10630F	515-1192-20630F	.630 [16.00]	.375 [9.53]
515-1192-00800F	515-1192-10800F	515-1192-20800F	.800 [20.32]	.375 [9.53]
515-1192-00900F	515-1192-10900F	515-1192-20900F	.900 [22.86]	.375 [9.53]
515-1192-01000F	515-1192-11000F	515-1192-21000F	1.000 [25.4]	.375 [9.53]

Diffused

515-1192-00250DF	515-1192-10250DF		.250 [6.35]	.197 [5.0]
515-1192-00350DF			.350 [8.89]	.197 [5.0]
515-1192-00550DF			.550 [13.97]	.375 [9.53]

Convex Lens

Dialight P/N		Dim "A"	Dim "B"
PLCC or PLCC4			

Clear

515-1193-00300F	.300 [7.62]	.197 [5.0]
515-1193-00350F	.350 [8.89]	.197 [5.0]
515-1193-00450F	.450 [11.43]	.197 [5.0]
515-1193-00550F	.550 [13.97]	.375 [9.53]
515-1193-00630F	.630 [16.00]	.375 [9.53]
515-1193-00800F	.800 [20.32]	.375 [9.53]
515-1193-00900F	.900 [22.86]	.375 [9.53]
515-1193-01000F	1.000 [25.4]	.375 [9.53]

Diffused

515-1193-00450DF	.450 [11.43]	.197 [5.0]
----------------------------------	--------------	------------

Domed Lens

Dialight P/N			Dialight P/N		Dim "A"	Dim "B"
PLCC or PLCC4	Dim "A"	Dim "B"	PLCC or PLCC4	Chip LED		

Clear

515-1194-00300F	.300 [7.62]	.197 [5.0]
515-1194-00350F	.350 [8.89]	.197 [5.0]
515-1194-00450F	.450 [11.43]	.197 [5.0]
515-1194-00630F	.630 [16.00]	.375 [9.53]
515-1194-00709F	.709 [18.01]	.375 [9.53]
515-1194-01000F	1.000 [25.4]	.375 [9.53]
515-1194-01169F	1.169 [29.69]	.375 [9.53]

Diffused

515-1194-00300DF	515-1194-10300DF	.300 [7.62]	.197 [5.0]
515-1194-00350DF	515-1194-10350DF	.350 [8.89]	.197 [5.0]
515-1194-00450DF	515-1194-10450DF	.450 [11.43]	.197 [5.0]
515-1194-00512DF		.512 [13]	.197 [5.0]
515-1194-00610DF		.610 [15.49]	.375 [9.53]
515-1194-00630DF		.630 [16.00]	.375 [9.53]
515-1194-00650DF		.650 [16.51]	.375 [9.53]
515-1194-01169DF		1.169 [29.69]	.375 [9.53]
	515-1194-10800DF	.800 [20.32]	.375 [9.53]

Dialight reserves the right to make changes at any time in order to supply the best product possible. The most current version of this document will always be available at: www.dialightsignalsandcomponents.com

Warranty Statement: Except for the warranty expressly provided for at: www.dialight.com/resources/warranties/, Dialight disclaims any and all other warranties, express or implied, including, without limitation, any warranties of merchantability, fitness for a particular purpose, title, and noninfringement.