

DOUBLE-BALANCED MIXER

MODEL S-1

WIDE BANDWIDTH

1 - 500 MHz

FEATURES:

-
-
-

APPLICATIONS:

-
-

SPECIFICATIONS:

Output Frequency Range:

LO/RF	1 - 500 MHz
IF	DC - 500 MHz

Conversion Loss (dB):

	Typ	Max
2 - 250 MHz	5.5	7.0
1 - 500 MHz	6.5	8.0

Isolation (dB) Typ/Max:

	LO/RF	LO/IF
1 - 10 MHz	65/45	45/35
10 - 250 MHz	45/35	40/25
250 - 500 MHz	40/25	30/20

L.O. Power:

+7 dBm (Nom)

1 dB Com. Point:

+1 dBm (Typ)

IP₃ (input)

+13 dBm (Typ)

Absolute Maximum Power:

150 mW

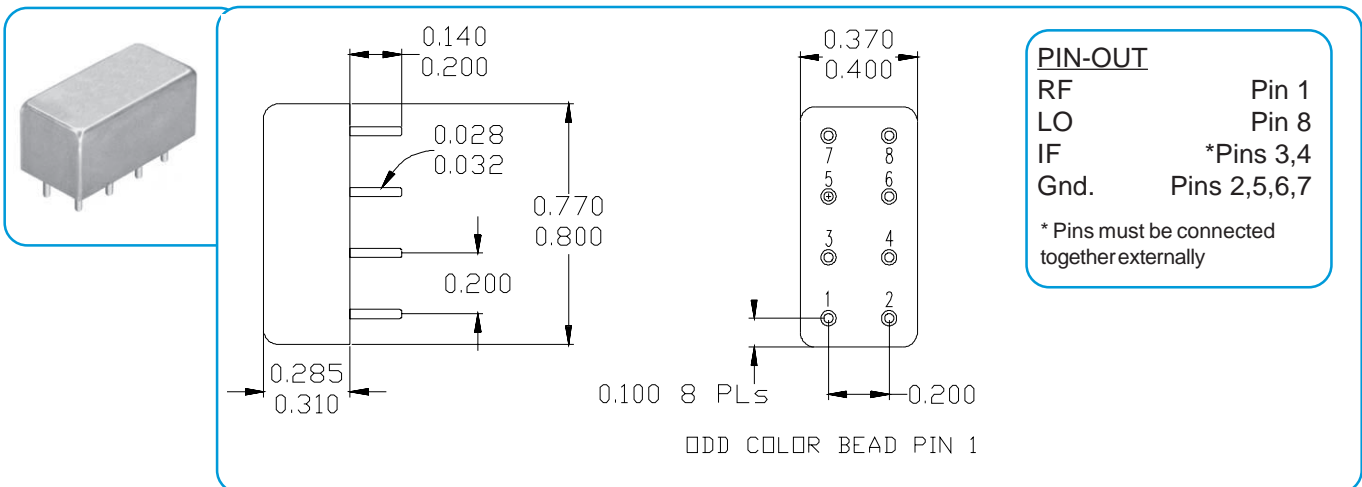
Impedance:

50 ohms

Operating Temperature Range:

-55 °C to +100°C

MECHANICAL OUTLINE: 120



DOUBLE-BALANCED MIXER

MODEL S-1

WIDE BANDWIDTH

1 - 500 MHz

PERFORMANCE PLOTS

IF Frequency @ 50 MHz

