

FLCX series


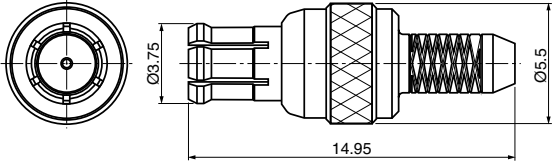

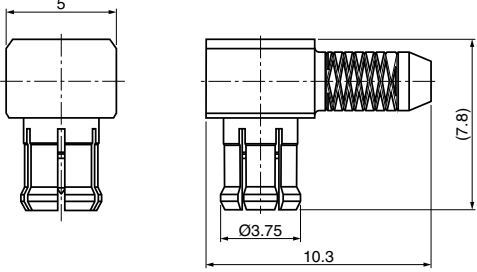

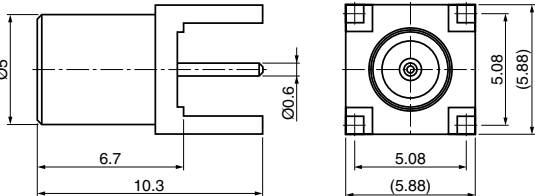

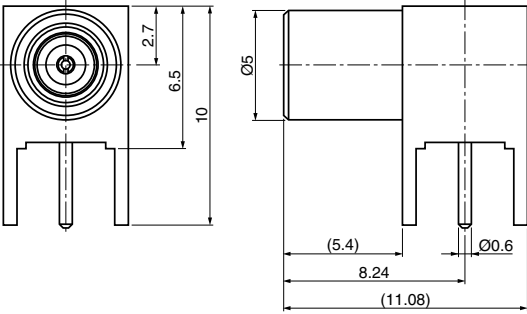
Coaxial connector


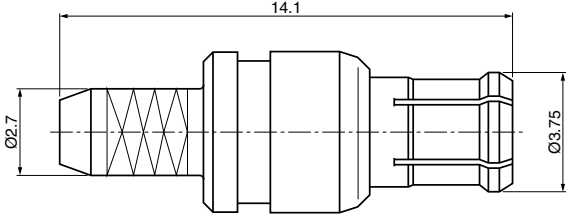

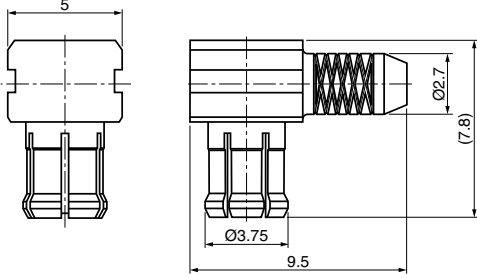

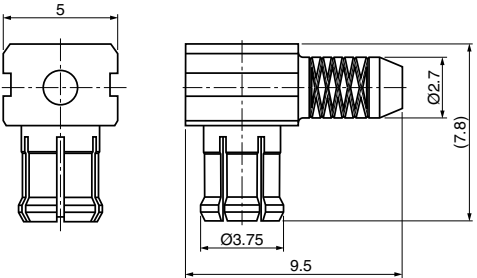
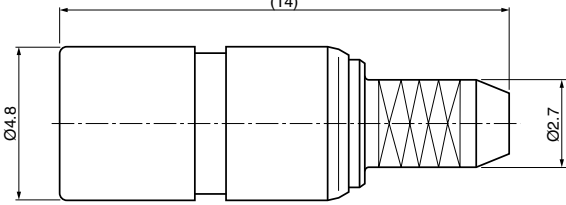
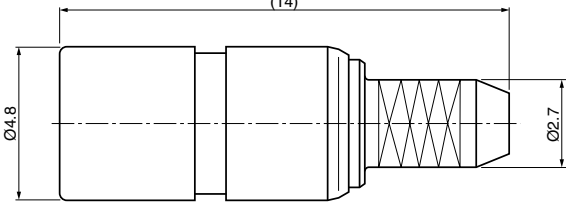
75 ohms


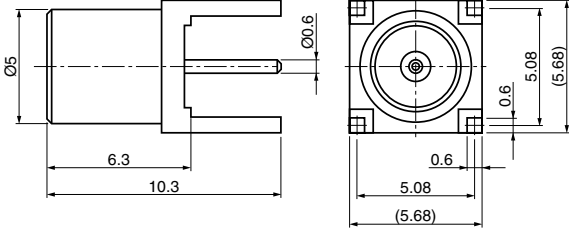
Same size as for MCX type

Note: Connectors for the 75 ohm system are not compatible with the 50 ohm system.

RoHS

		<p>Straight plug</p> <table border="1" data-bbox="1105 401 1275 459"> <tr> <td>Part No.</td> </tr> <tr> <td>FLCX-CSPM1+</td> </tr> </table> <p>With ferrule and shrink tube For use with cables: 1.5C-2V</p>	Part No.	FLCX-CSPM1+
Part No.				
FLCX-CSPM1+				
		<p>Right-angle plug</p> <table border="1" data-bbox="1105 821 1275 879"> <tr> <td>Part No.</td> </tr> <tr> <td>FLCX-CLPM1+</td> </tr> </table> <p>With ferrule and shrink tube For use with cables: 1.5C-2V</p>	Part No.	FLCX-CLPM1+
Part No.				
FLCX-CLPM1+				
		<p>Receptacle</p> <table border="1" data-bbox="1105 1241 1275 1300"> <tr> <td>Part No.</td> </tr> <tr> <td>FLCX-CSRF1+</td> </tr> </table>	Part No.	FLCX-CSRF1+
Part No.				
FLCX-CSRF1+				
		<p>Right-angle receptacle</p> <table border="1" data-bbox="1105 1662 1275 1720"> <tr> <td>Part No.</td> </tr> <tr> <td>FLCX-CLRF1+</td> </tr> </table>	Part No.	FLCX-CLRF1+
Part No.				
FLCX-CLRF1+				

		<p>Straight plug</p> <table border="1" data-bbox="1160 401 1328 459"> <tr><td>Part No.</td></tr> <tr><td>FLCX-SPM1+</td></tr> </table> <p>With ferrule and shrink tube For use with cables: 1.5D-2V</p>	Part No.	FLCX-SPM1+
Part No.				
FLCX-SPM1+				
		<p>Right-angle plug</p> <table border="1" data-bbox="1160 821 1328 879"> <tr><td>Part No.</td></tr> <tr><td>FLCX-LPM1+</td></tr> </table> <p>With ferrule and shrink tube For use with cables: 1.5D-2V</p>	Part No.	FLCX-LPM1+
Part No.				
FLCX-LPM1+				
		<p>Right-angle plug</p> <table border="1" data-bbox="1160 1241 1328 1300"> <tr><td>Part No.</td></tr> <tr><td>FLCX-LPM2+</td></tr> </table> <p>With ferrule and shrink tube For use with cables: RG-174/U</p>	Part No.	FLCX-LPM2+
Part No.				
FLCX-LPM2+				
		<p>Straight jack</p> <table border="1" data-bbox="1160 1662 1328 1720"> <tr><td>Part No.</td></tr> <tr><td>FLCX-SPF1+</td></tr> </table> <p>With ferrule and shrink tube For use with cables: 1.5D-2V</p>	Part No.	FLCX-SPF1+
Part No.				
FLCX-SPF1+				

		<p>Receptacle</p> <table border="1" data-bbox="1105 401 1275 461"> <tr> <td>Part No.</td> </tr> <tr> <td>FLCX-SRF1+</td> </tr> </table>	Part No.	FLCX-SRF1+
Part No.				
FLCX-SRF1+				