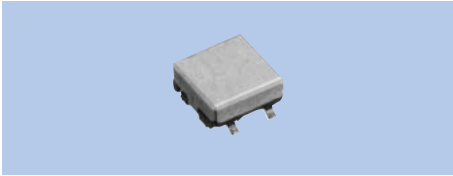


Transformers for Inverter or Converter

C5-S, C5-S2, C6-R1-4L, C8-R1-4L Series

Coils, Filters

C5-S

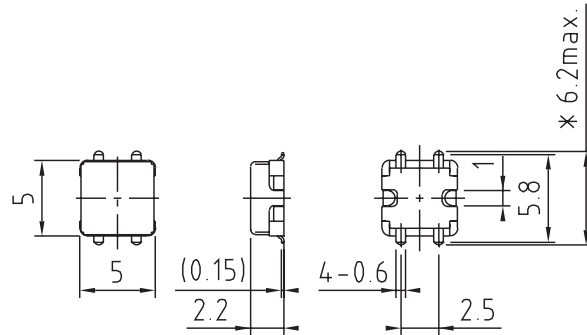


Specifications

- (1) 1~180μH
- (2) 10~300kHz
- (3) -

Features

- SMD
- 1000pcs./Reel



C5-S2

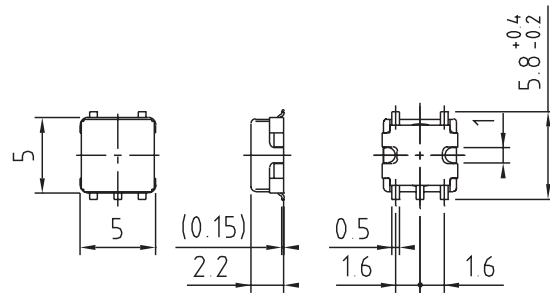


Specifications

- (1) 1~180μH
- (2) 10~300kHz
- (3) -

Features

- SMD
- 1000pcs./Reel



C6-R1-4L

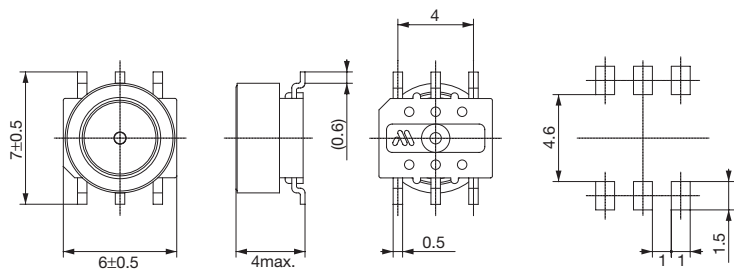


Specifications

- (1) -
- (2) 10~300kHz
- (3) 0.5W

Features

- SMD
- 1500pcs./Reel



C8-R1-4L

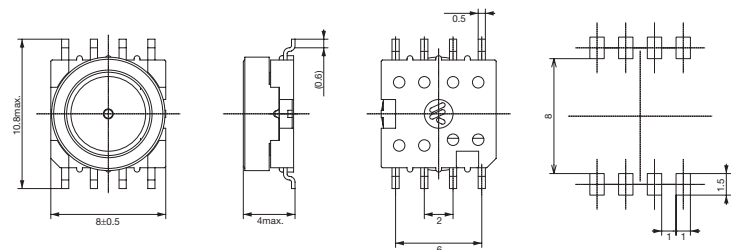


Specifications

- (1) -
- (2) 10~300kHz
- (3) 0.8W

Features

- SMD
- 1000pcs./Reel



- (1) Inductance
- (2) Operational frequency
- (3) Power Capacity