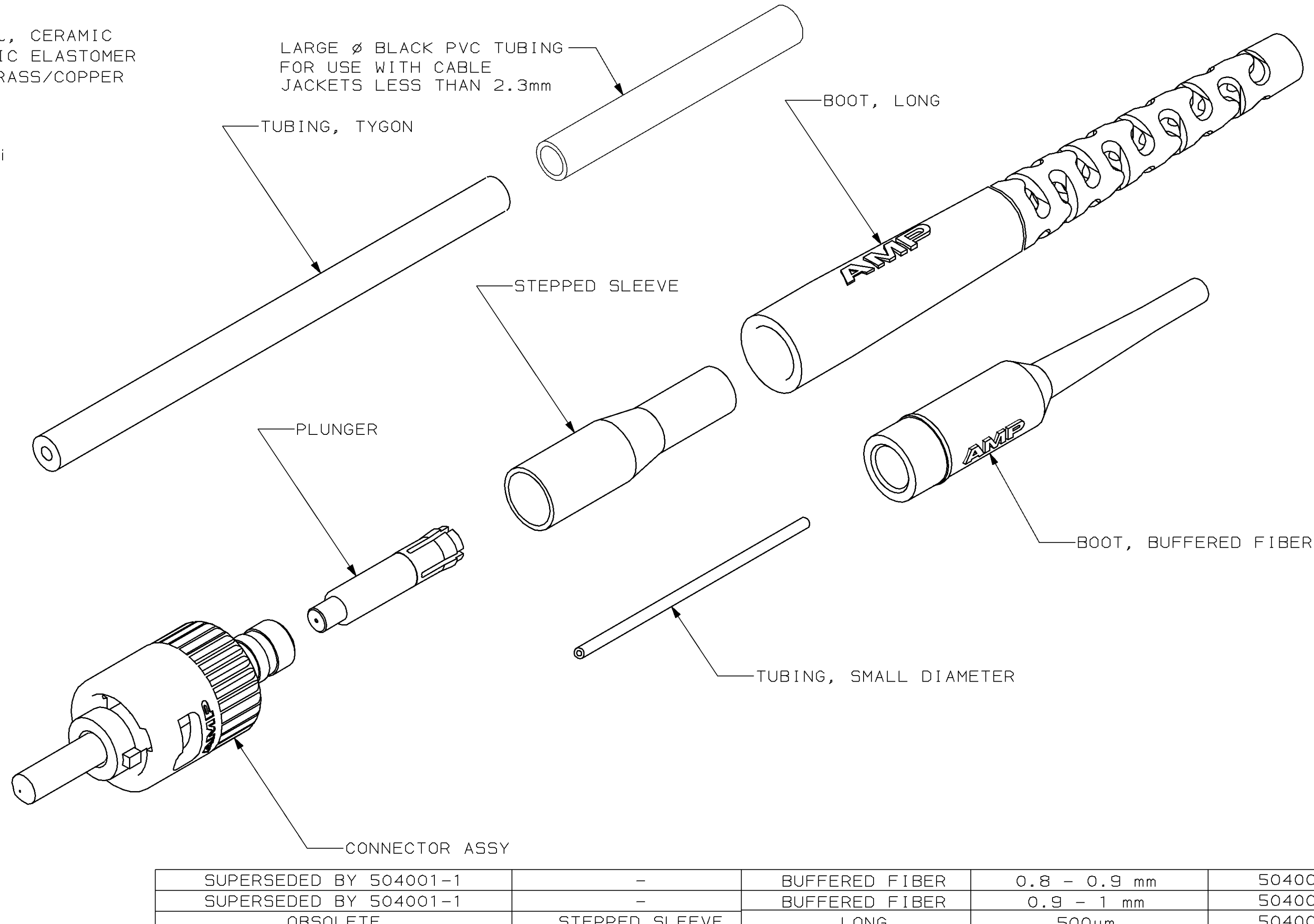


LOC		DIST		REVISIONS				DATE	APPD
ZONE	LTR	DESCRIPTION	DATE	APPD					
CE	16	P	F	G	REV PER	0A00-0318-96	7-8-96	DDE	

① CONNECTOR ASSY: AL, CERAMIC
 BOOT: THERMOPLASTIC ELASTOMER
 STEPPED SLEEVE: BRASS/COPPER
 PLUNGER: AL

② STEPPED SLEEVE: Ni



SUPERSEDED BY 504001-1	-	BUFFERED FIBER	0.8 - 0.9 mm	504001-6
SUPERSEDED BY 504001-1	-	BUFFERED FIBER	0.9 - 1 mm	504001-5
OBSOLETE	STEPPED SLEEVE	LONG	500µm	504001-4
SUPERSEDED BY 504001-1	-	BUFFERED FIBER	250µm	504001-3
SUPERSEDED BY 504001-1	STEPPED SLEEVE	LONG	0.8 - 0.9 mm	504001-2
SUPERSEDED BY 504001-1	STEPPED SLEEVE	LONG/ BUFFERED	250µm/ 0.8 - 1 mm	504001-1
	CRIMP SLEEVE	BOOT TYPE	BUFFER SIZE	PART NO

DO NOT SCALE PRINT. UNLESS SPECIFIED DIMENSIONS IN mm [INCHES] TOLERANCES ON : 2 PLC DEC ± - 3 PLC DEC ± - ANGLES ± -	DR 8-29-92 D ERDMAN	AMP Incorporated Harrisburg, PA 17105-3608		
MATERIAL	CHK 8-29-92 B EDWARDS			
FINISH	APPD 9-21-92 S GRINDERSLEV	NAME KIT, CONNECTOR, 125µm 2.5mm BAYONET, XTC MULTIMODE		
	APPD 8-29-92 K MONROE	SIZE	CAGE CODE	DRAWING NO
	PRODUCT SPEC	①	00779	②-504001
	APPLICATION SPEC	SCALE	-	SHEET 1 OF 1
	WEIGHT	-	-	-

THIS DRAWING IS A CONTROLLED DOCUMENT FOR AMP INCORPORATED. IT IS SUBJECT TO CHANGE AND THE CONTROLLING ENGINEERING ORGANIZATION SHOULD BE CONTACTED FOR THE LATEST REVISION.

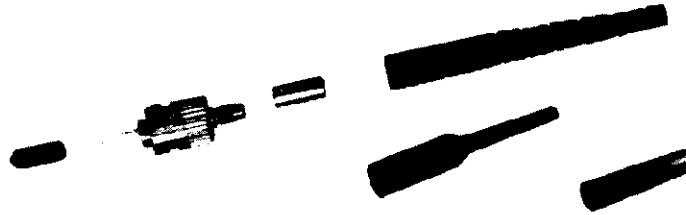


Products for Industrial and Commercial Applications

Fiber Optic Products

Multimode Fiber Optic Components

ST-Style Connectors — Epoxy Type



Fiber Size (µm)	Cable Dia. Max.	Boot Type & Color	Part Numbers	
			Ceramic	Stainless Steel
125	3.0	Short/Black	503569-2 ¹	—
125	3.0	Short/Black	503571-1 ¹	—
125	3.0	Short/Black/Bare Buffer	503571-3 ¹	—
140	3.0	Bend Limiting/BL Bare Buffer	501380-6 ²	—
125	3.0	Bulk Pk/No Boot	492458-3 ²	5-504008-4
125	3.0	Short/BL/Bare Buffer	492458-1 ²	—
125	3.0	Short/Black	1-501380-6 ²	—
125	0.9	Bare Buffer/Black	2-501380-1 ²	—
125	3.0	Bend Limiting/Black	501380-1 ²	504008-3
140	3.0	Bend Limiting/Black	—	504008-7

¹ Zirconia ceramic ferrule, polymer body, polymer coupling nut.

² Zirconia ceramic ferrule, nickel plated brass body, nickel plated die cast coupling nut.

Epoxyless Type

ST-Style Connectors — Epoxyless Type

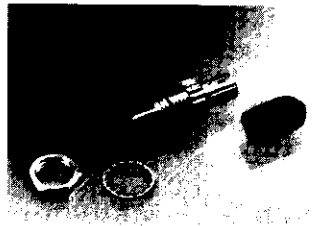
Fiber Size (µm)	Ferrule Type	Body Type	Coupling Nut Type	Part Number
125	Polymer	Polymer	Polymer	503453-1
125	Stainless Steel	Aluminum	Die Cast Zinc	504034-1
125	Ceramic	Aluminum	Die Cast Zinc	504001-1

Fiber Optic Products

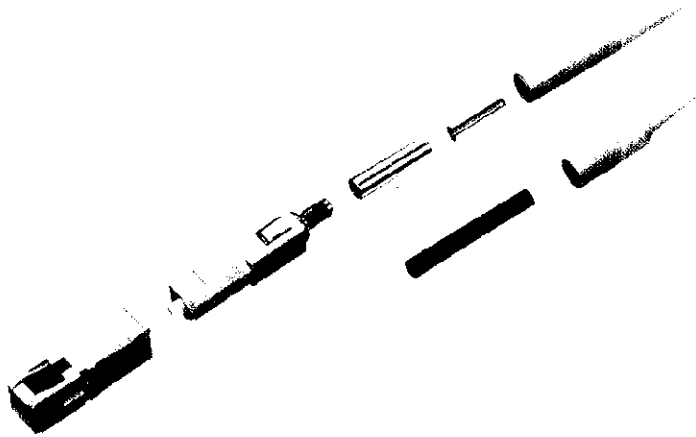
ST-Style Receptacles

Material

Zirconia Ceramic
Part No. 502750-1
(Single Package)



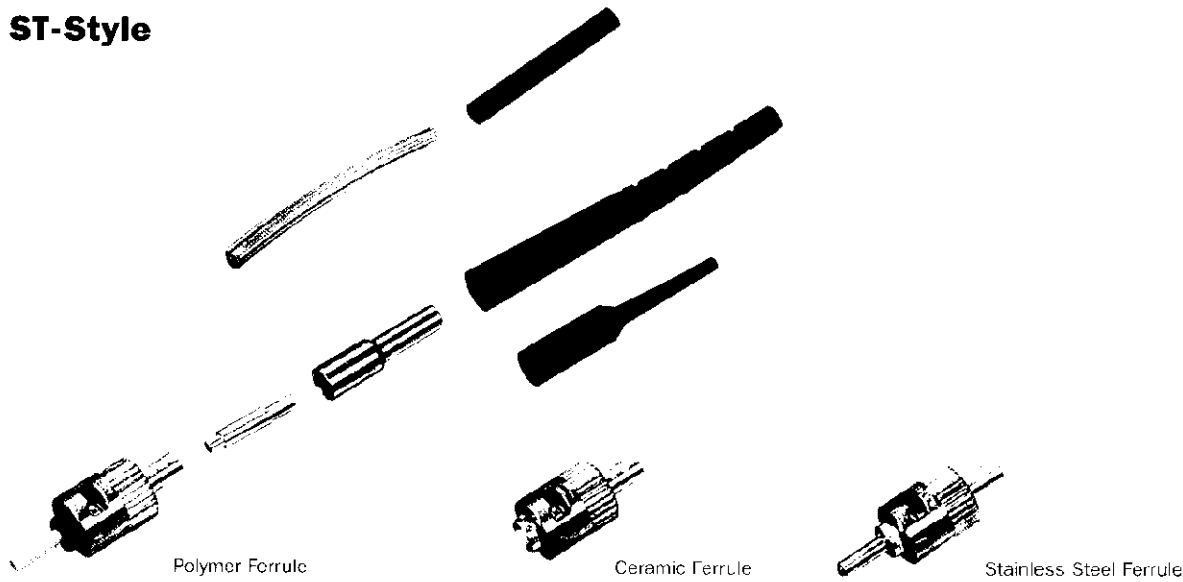
LightCrimp Connectors
SC



Product Facts

- No epoxy, polish
- Cleave, crimp, polish and connect, no epoxy needed
- Compliant with TIA/EIA, IEC, CECC and EN standards
- Consistent performance over a wide range of temperatures
- Termination tool kits on pages 178 and 179
- Each connector comes with accessories needed to terminate to 900µm, 250µm Bare Buffer and 3mm cables

ST-Style



Description		Part Number
Simplex SC	Multimode, Ceramic Ferrule	503692-1
Duplex SC	Multimode, Ceramic Ferrule	503693-1
ST-Style	Multimode, Polymer Ferrule	492168-1
ST-Style	Multimode, Stainless Steel Ferrule	504034-1
ST-Style	Multimode, Ceramic Ferrule	504001-1
ST-Style	Singlemode, Ceramic Ferrule	504000-1

- [Home](#)
- [Part Number Search](#)
- [Document Search](#)
- [Text Search](#)
- [Alternate Part Search](#)
- [Multiple Part Comparison](#)
- [Alphabetical Search](#)
- [Brand Search](#)
- [Industry Product Search](#)
- [Product Type Search](#)
- [Product Family Search](#)
- [Competitor Cross Reference](#)
- [Lead Free Solutions](#)
- [Help/Glossary](#)

Current Brand View	AMP	View All Tyco Electronics Brands <small>Click to activate links to all other products</small>
---------------------------	---------------------	--

Fiber Optic Products

- [ST-Style Connectors](#)
- [LightCrimp Products \(ST-Style\)](#)

[AMP](#) **504001-1** [Active](#) [Active](#)
(Tyco Electronics P/N: 504001-1)

[Search for Parts](#) | [Previous](#) [**1**] [2](#) [3](#) [4](#) [Next](#)

Document links for this part cannot be displayed. Your browser does not support inline frames or is currently configured not to display inline frames. Inline frames are supported in both Internet Explorer 5 and Netscape 6, as well as all later versions of these browsers.

Related Part Information		
General Information	eCommerce	Related Part Information
<ul style="list-style-type: none"> General Info Sales Info Assembly Subcontractors 	<ul style="list-style-type: none"> Pricing Product Availability 	

Photos & Line Drawings - The photographs and/or line drawings are representative images of a product for viewing purposes only.

[Product Photo](#)

Searchable Features:	
Brand:	AMP
Product Type:	Connector
Fiber Size (Micron):	125
Mode:	Multimode
Cable Diameter (Max.) (mm [in]):	3.00 [0.118]
Hole Size (µm):	125
Boot Type:	Long
Epoxyless:	Yes
Pre-Polished:	No
Operating Temperature (°C):	-40 – +65

Other Properties:	
Termination Type:	LightCrimp XTC
Insertion Loss (dB):	0.40

Body Material:	Aluminum
Ferrule Material:	Ceramic
Coupling Nut Material:	Die Cast Zinc
Packaging Method:	Individual Kit
NETCONNECT Select System:	No

[Copyright](#) and [Privacy Statement](#)

Visit [Tyco International, Ltd.](#)

[Products](#) | [Catalog](#) | [Brands](#) | [Industries](#) | [Commerce](#) | [Supplier](#) | [Customer Service](#) | [About](#) | [Home](#)