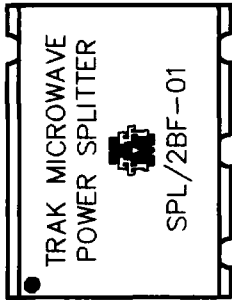
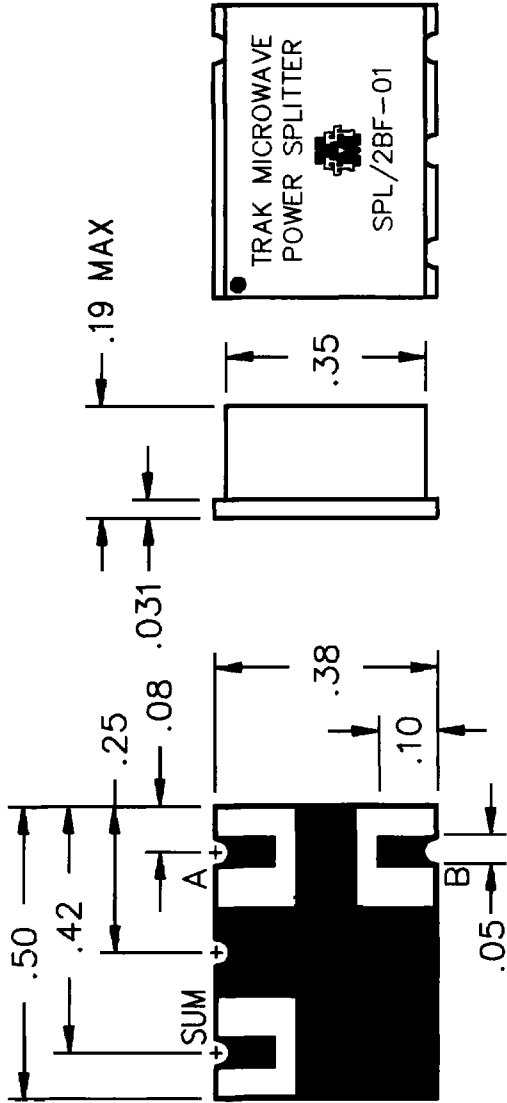
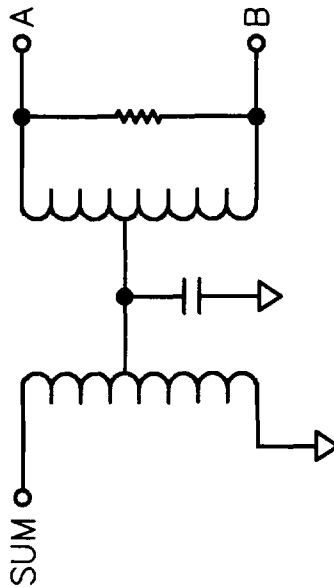


POWER SPLITTER



SPECIFICATIONS:

- FREQUENCY : 4-2000 MHz
- LOSS : 0.75 dB TYP, 2.0 dB MAX
- VSWR : 1.3:1 TYP, 1.5:1 MAX
- AMP BALANCE : ± 0.1 dB TYP, ± 0.3 dB MAX
- PHASE BALANCE : $\pm 1^\circ$ TYP, $\pm 3^\circ$ MAX
- ISOLATION : 22 dB TYP, 14 dB MIN
- POWER : 1 WATT NOMINAL
- IMPEDANCE : 50 OHMS NOMINAL



SCHEMATIC DIAGRAM

MATERIAL

- STANDARD
- SPECIAL
- BASE : FR-4
- COVER : VECTRA
- MARKING : LASER
- FINISH : SOLDER TIN



4726 Eisenhower Boulevard
Tampa, Florida 33634
(813)884-1411, FAX (813)886-2794

MODEL NO. SPL/2BF-01 SHT 1 OF 1 DATE 5/94