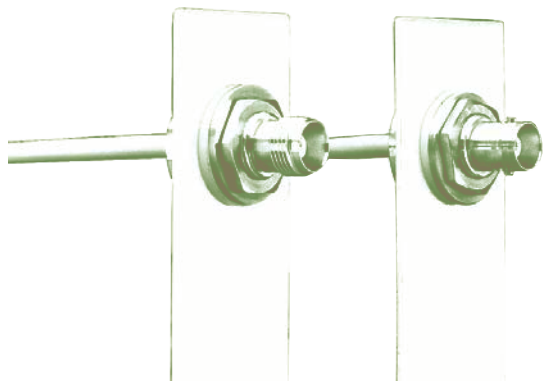
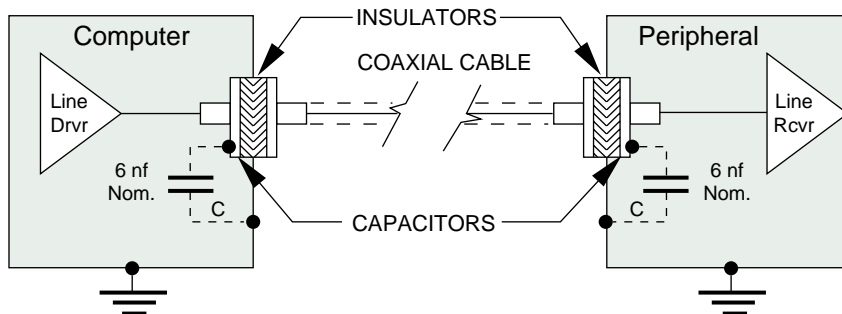


COAXIAL GROUND FILTER BULKHEAD JACKS

Coaxial Ground Filter Bulkhead Jacks

Designated in catalog pages by "GF".



GROUND FILTER SPECIFICATIONS

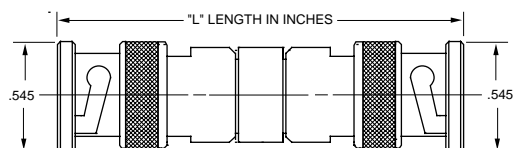
RF Insertion Loss: 0.1 dB max. to 1 GHz
 Dissipation Factor: 5% max. @ 1 KHz & 25°C
 Voltage Rating: 200 VDC @ sea level & 25°C
 Capacitance: 4nF min., 10nF max. @ 1 KHz & 25°C
 Insulation Resistance: 1 Gighom min. @ 200 VDC & 25°C
 Dielectric Withstanding
 Voltage: 500 VDC @ sea level & 25°C for 1 minute
 Filter RF Attenuation: 1MHz- 1dB, 3MHz- 2dB
 10MHz- 8dB, 30MHz- 16dB, 100/300/1000MHz- 30dB

These connectors reduce radiated electrical noise to meet the EMI/RFI requirements of F.C.C. Regulation on RFI Interference-Part 15, Subpart J, as a result of Docket 20780, which limits allowable computer and peripheral equipment emissions to a range of 20 to 1000 MHz. Radiated interference from HF components and electrical pulse harmonics are avoided by using a built-in capacitor which acts as a high pass filter to attenuate spurious HF signals while bypassing ground loop, directing contact current flow harmlessly to ground.

Connector Type	Mounting Hole	Ohm	Part Number
BNC, WRENCH CRIMP	D8.094	50Ω/75Ω	(U)BJ26GF- [△]
BNC, TOOL CRIMP	D8.094	50Ω	BJ226GF- [△]
BNC, FEED-THROUGH	D8.094	50Ω/75Ω	(U)BJ28GF
BNC, CIRCUIT BOARD	D8.093	50Ω/75Ω	(U)CBBJ26GF
TNC, WRENCH CRIMP	D8.094	50Ω/75Ω	(U)BJ46GF- [△]
TNC, TOOL CRIMP	D8.094	50Ω	BJ246GF- [△]
TNC, FEED-THROUGH	D8.094	50Ω/75Ω	(U)BJ48GF
TNC, CIRCUIT BOARD	D8.093	50Ω/75Ω	(U)CBBJ46GF

Designate 75Ω version by prefix "U"

BNC ATTENUATOR

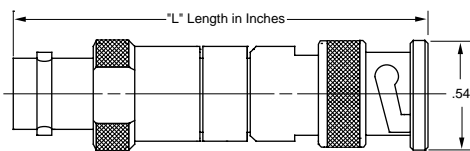


Replace Ω with impedance and dB with dB required.
 Example: TNA-75-20-BNC

CONNECTOR TYPE	L	PART NUMBER
50Ω plug & jack	3.24"	TNA-Ω-dB-BNC
75Ω plug & jack	3.24"	UTNA-Ω-dB-BNC
50Ω plugs	3.17"	TNA-Ω-dB-BNC/M
75Ω plugs	3.17"	UTNA-Ω-dB-BNC/M
50Ω jacks	3.30"	TNA-Ω-dB-BNC/F
75Ω jacks	3.30"	UTNA-Ω-dB-BNC/F

Video frequency 10 MHz max. attenuation 20 dB max.

BNC PADS



SCHEMATIC	IMPEDANCE	L	PART NUMBER
	50Ω	2.16"	TNA2-R
	75Ω	2.16"	UTNA2-R
	50Ω	2.16"	TNA3-R
	75Ω	2.16"	UTNA3-R
	50Ω	3.23"	TNA4-R
	75Ω	3.23"	UTNA4-R

[△] - Refers to Cable Group Table, see pages 91-133. "D" mounting holes are on page 54