

J210 – J212 / SST210 – SST212

FEATURES

- Low Noise
- Low Leakage
- High Power Gain

APPLICATIONS

- General Purpose Amplifiers
- VHF/UHF Amplifiers
- Mixers
- Oscillators


DESCRIPTION

The J210 Series is an N-Channel JFET single device encapsulated in a TO-92 plastic package well suited for automated assembly. The device features low leakage, typically under 2 pA, low noise, under 10 nano volts per square hertz at 10 hertz and high gain. This series is excellent for mixer, oscillators and amplifier applications.

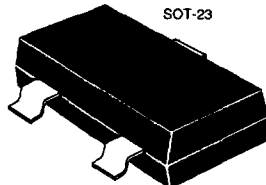
ORDERING INFORMATION

Part	Package	Temperature Range
J210-11	Plastic TO-92 Package	-55°C to +135°C
SST210-11	Plastic SOT-23	-55°C to +135°C

PIN CONFIGURATION



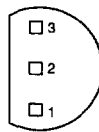
TO-92



SOT-23

CJ1

1 DRAIN
2 SOURCE
3 GATE



BOTTOM VIEW

PRODUCT MARKING (SOT-23)	
SST210	Z10
SST211	Z11
SST212	Z12

ABSOLUTE MAXIMUM RATINGS (T_A = 25°C unless otherwise noted)

Parameter/Test Condition	Symbol	Limit	Unit
Gate-Drain Voltage	V _{GD}	-25	V
Gate-Source Voltage	V _{GS}	-25	V
Gate Current	I _G	10	mA
Power Dissipation	P _D	360	mW
Power Derating		3.27	mW/°C
Operating Junction Temperature	T _J	-55 to 135	°C
Storage Temperature	T _{stg}	-55 to 150	°C
Lead Temperature (1/16" from case for 10 seconds)	T _L	300	°C

ELECTRICAL CHARACTERISTICS (T_A = 25°C unless otherwise noted)

SYMBOL	CHARACTERISTICS	TYP ¹	210		211		212		UNIT	TEST CONDITIONS
			MIN	MAX	MIN	MAX	MIN	MAX		
STATIC										
V _{(BR)GSS}	Gate-Source Breakdown Voltage	-35	-25		-25		-25		V	I _G = -1mA, V _{DS} = 0V
V _{GS(OFF)}	Gate-Source Cut off Voltage		-1	-3	-2.5	-4.5	-4	-6		V _{DS} = 15V, I _D = 1nA
I _{DSS}	Saturation Drain Current ²		2	15	7	20	15	40	mA	V _{DS} = 15V, V _{GS} = 0V
I _{GSS}	Gate Reverse Current	-1		-100		-100		-100	pA	V _{GS} = -15V, V _{DS} = 0V
		-0.5							nA	T _A = 125°C
I _G	Gate Operating Current	-1							pA	V _{DG} = 10V, I _D = 1mA
I _{D(OFF)}	Drain Cutoff Current	1							pA	V _{DS} = 10V, V _{GS} = -8V
V _{GS(F)}	Gate-Source Forward Voltage	0.7							V	I _G = 1mA, V _{DS} = 0V
DYNAMIC										
g _{fs}	Common-Source Forward Transconductance		4	12	6	12	7	12	mS	V _{DS} = 15V, V _{GS} = 0V f = 1kHz
g _{os}	Common-Source Output Conductance			150		200		200	mS	
C _{iss}	Common-Source Input Capacitance	4							pF	V _{DS} = 15V, V _{GS} = 0V f = 1MHz
C _{rss}	Common-Source Reverse Transfer Capacitance	1.5								
\bar{e}_n	Equivalent Input Noise Voltage	5							nV/ \sqrt{Hz}	V _{DS} = 15V, V _{GS} = 0V f = 1kHz

NOTES: 1. For design aid only, not subject to production testing.
 2. Pulse test; PW = 300ms, duty cycle à 3%.