

# Customer Information Sheet

DRAWING No. D38XX-XX

SHEET 2 OF 2

IF IN DOUBT - ASK

(C)

NOT TO SCALE

THIRD ANGLE PROJECTION

ALL DIMENSIONS IN mm

ORDER CODE:

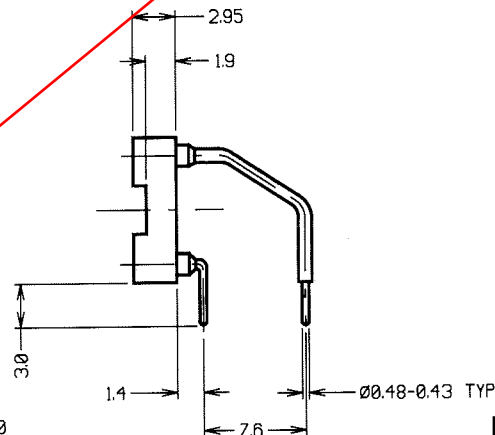
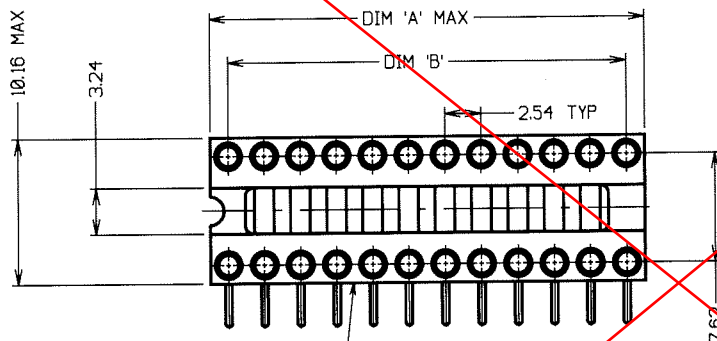
**D38XX-XX**

No. OF WAYS

FINISH

- 01 - GOLD CLIP, TIN SHELL
- 05 - GOLD CLIP, GOLD SHELL
- T6 - 90/10 TIN/LEAD CLIP, TIN SHELL

## OBSOLETE



**SPECIFICATIONS:**

**MATERIAL:**

- MOULDING - GLASS-FILLED POLYESTER UL94V-0
- CONTACT SHELL - BRASS
- CONTACT CLIP - BERYLLIUM COPPER

**FINISH:**

- 01 - 0.1µ GOLD CLIP, 4µ TIN SHELL
- 05 - 0.1µ GOLD CLIP, 0.13µ GOLD SHELL
- T6 - 1.3µ 90/10 TIN/LEAD CLIP, 4µ TIN SHELL

**ELECTRICAL:**

- CURRENT RATING - 1 AMP MAX
- VOLTAGE RATING = 100V AC, 150V DC
- CONTACT RESISTANCE - 10 MILLIOHMS MAX
- INSULATION RESISTANCE - 10,000 MEGOHMS MIN
- DIELECTRIC STRENGTH - 1,000V AC MIN

**MECHANICAL:**

- INITIAL INSERTION FORCE - 3N MAX (Ø0.43mm GAUGE)
- INITIAL WITHDRAWAL FORCE - 0.5N MIN (Ø0.43mm GAUGE)
- DURABILITY - 100 CYCLES MIN

**ENVIRONMENTAL:**

- OPERATING TEMPERATURE - -55°C TO +125°C

FOR COMPLETE SPECIFICATION, SEE COMPONENT SPECIFICATION C004XX (LATEST ISSUE).

**MOULDING:**

MATERIAL - 30% GLASS-FILLED POLYESTER UL94V-0

**NOTES:**

1. RECOMMENDED MOUNTING HOLE SIZE = Ø0.80mm.

PART No.	No. OF WAYS	DIM 'A'	DIM 'B'
D3806-XX	6	7.62	5.08
D3808-XX	8	10.16	7.62
D3814-XX	14	17.75	15.24
D3816-XX	16	20.32	17.78
D3818-XX	18	22.86	20.32
D3820-XX	20	25.40	22.86
D3824-XX	24	30.48	27.94

5	29.11.99	5129
ISS.	DATE	C/NOTE
APPROVED:		
CHECKED:		
DRAWN: J. KEIR		
CUSTOMER REF.:		
ASSEMBLY DRG:		

<b>HARWIN</b>			<p>THIS DRAWING AND ANY INFORMATION OR DESCRIPTIVE MATTER SET OUT HEREON ARE CONFIDENTIAL AND COPYRIGHT PROPERTY OF THE HARWIN GROUP AND MUST NOT BE DISCLOSED, LOANED, COPIED OR USED FOR MANUFACTURING, TENDERING OR FOR ANY OTHER PURPOSE WITHOUT THEIR WRITTEN PERMISSION.</p>	<p>TOLERANCES</p> <ul style="list-style-type: none"> <li>X. = ±1mm</li> <li>X.X = ±0.25mm</li> <li>X.XX = ±0.10mm</li> <li>X.XXX = ±0.01mm</li> <li>ANGLES = ±1°</li> <li>UNLESS STATED</li> </ul>	<p>MATERIAL:</p> <p style="text-align: center;">SEE ABOVE</p>	<p>TITLE: 90° DISPLAY SOCKET (0.3" PITCH)</p>
<p>HARWIN INC U.S.A. TEL: (812) 285 0055 FAX: (812) 285 0056</p>	<p>HARWIN PLC UK TEL: 01705 370451 FAX: 01705 314590</p>	<p>HARWIN PTE SINGAPORE TEL: 65 7794909 FAX: 65 7793868</p>		<p>FINISH: SEE ABOVE</p>	<p>DRAWING NUMBER: <b>D38XX-XX</b></p>	<p>SHT 2 OF 2</p>