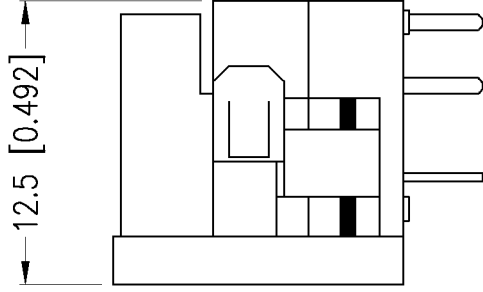
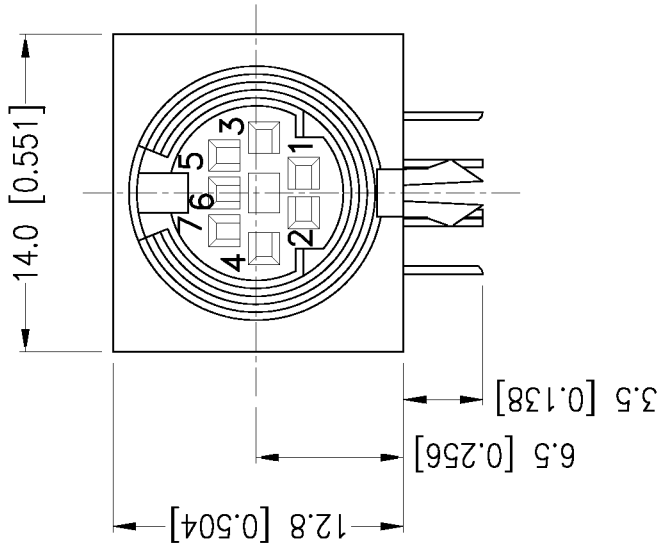
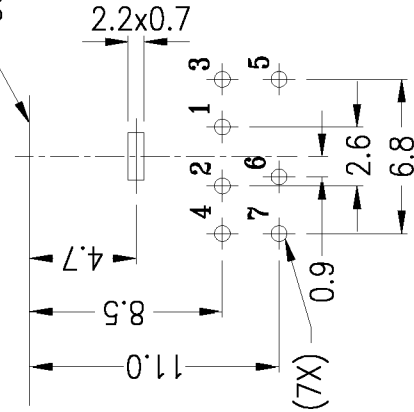


SNAP IN FIT



SPECIFICATIONS:
 RATING: 100V AC 1A MAX OR
 12V DC 2A MAX
 INSULATION RESISTANCE:
 50 MOHM MIN AT 250V DC
 DIELECTRIC STRENGTH:
 250V AC, 1 MINUTE
 CONTACT RESISTANCE:
 30 mOHM MAX
 INSERTION FORCE:
 4.5KG MAX
 WITHDRAWAL FORCE:
 0.9KG~3KG

FOOTPRINT (BOTTOM VIEW)



CONNECTOR FACE



9615 SW Allen, Suite 103
 Beaverton, OR 97006
 Phone: (503) 643-4899
 800-275-4899
 Fax: (503) 643-6129
 Website: www.cuistack.com

TITLE: MINIATURE CIRCULAR CONNECTORS w/o SHIELD	
PART NO. MD-70SS	UNITS: MM [INCHES]
DRAWN BY:	APPROVED BY:
	SCALE: 3X