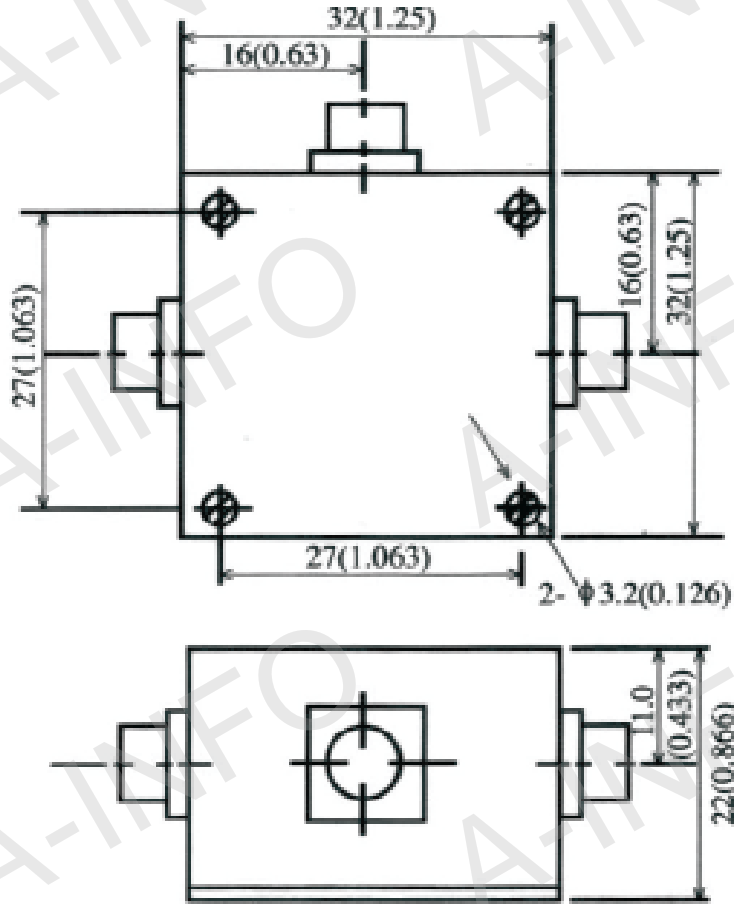


Outline Drawing (Size: mm)

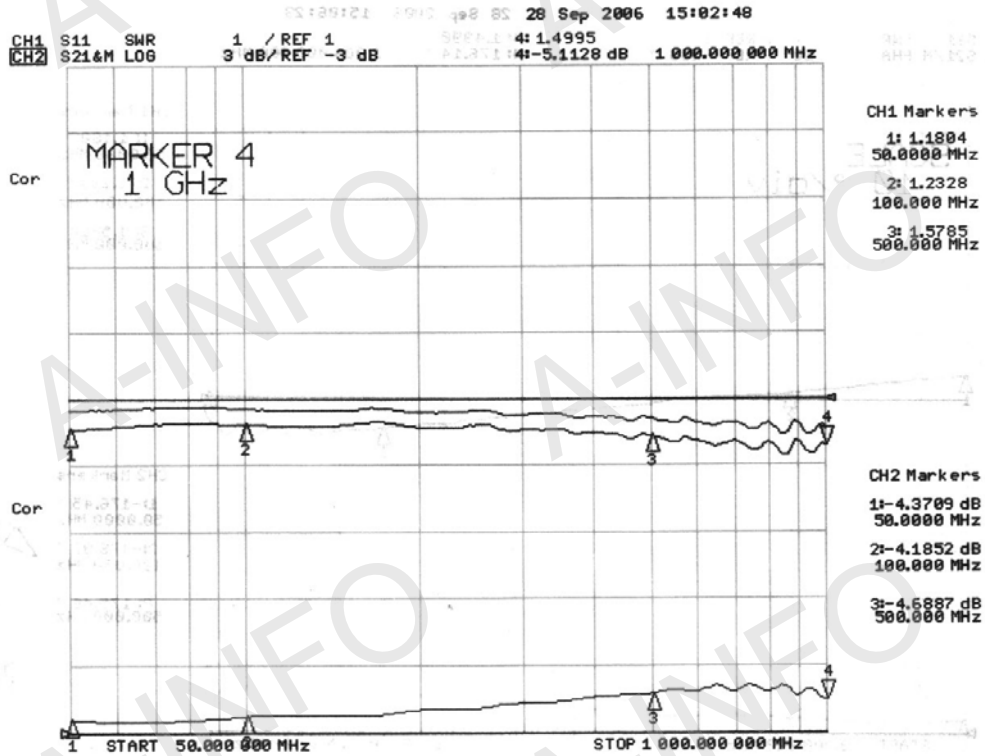


Technical Specification

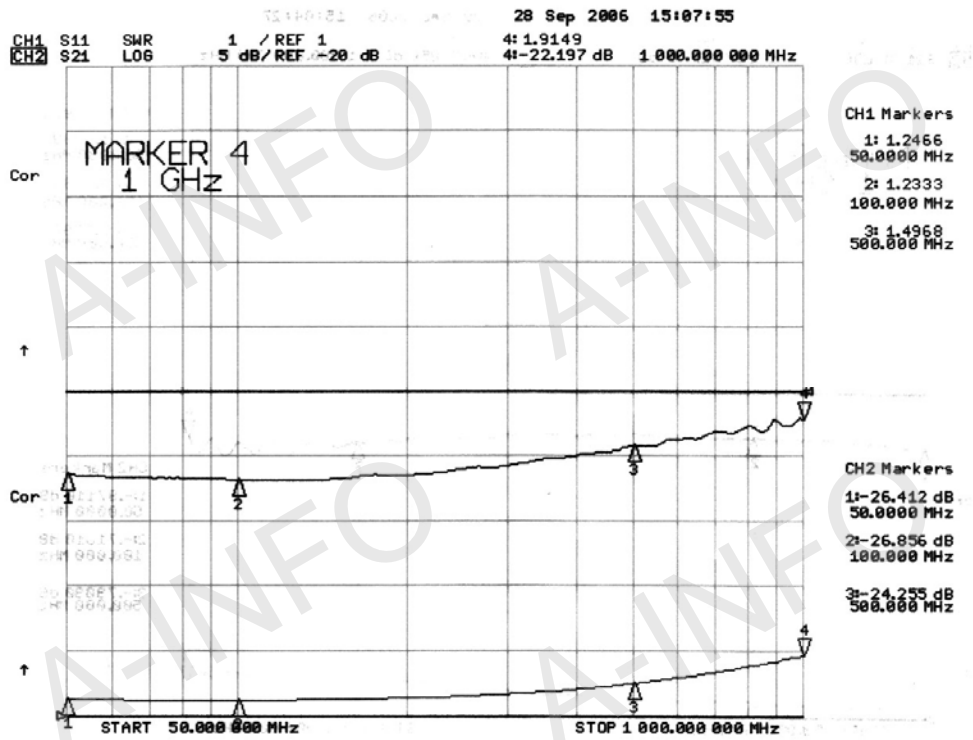
Item	Technical Specification
Frequency Range (GHz)	0.05-1
Insertion Loss (dB)	2.4 Max
Isolation (dB)	20 Min
Phase Balance(°)	±7 Max
Amplitude Balance(dB)	±1.0 Max
Connectors	SMA-Female
Operating Temperature(°C)	-40 ~ +80

Test Result

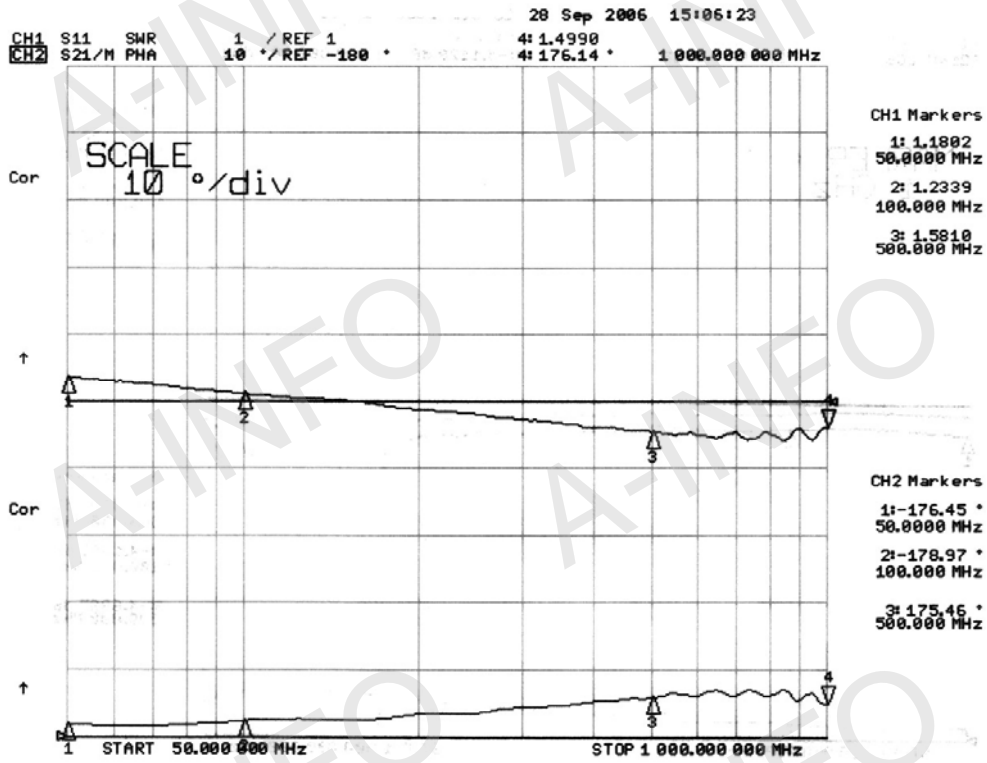
1. Insertion Loss



2. Isolation



3. Phase Balance



4. Amplitude Balance

