

DRAWING NUMBER

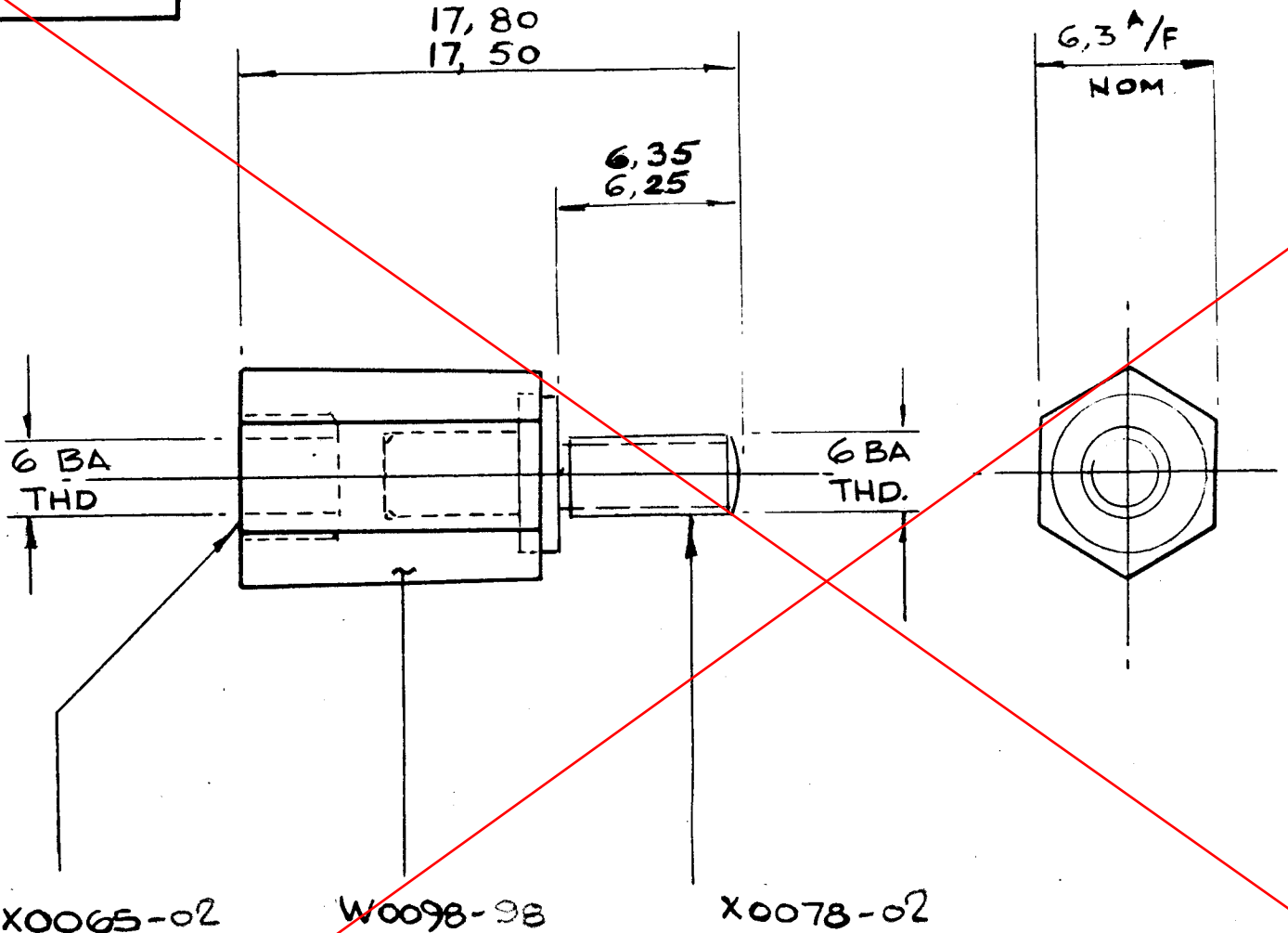
W2634-00

THIRD ANGLE PROJECTION

DO NOT SCALE

MACH. No.

CAM No.



**OBSOLETE**

INSERT TO WITHSTAND  
MINIMUM TORQUE REQUIREMENT  
OF 4 lb·f IN. IN MouldING.

NOTE : DRG. N<sup>o</sup> WAS HD1845

4	9/6/89	1454
3	5/8/87	1132
2	16/4/85	PRODUCTION UPDATE
1	1/3/84	
ISS.	DATE	CHANGE
APPD.	<i>[Signature]</i>	
CHKD.	<i>[Signature]</i>	
DRAWN	<i>[Signature]</i>	
CUSTOMER REF.		
COMPUTER No.		
ASSY. DRAWING		
DRAWING NUMBER	W2634-00	

HARWIN ENGINEERS S.A.

FITZHERBERT RD., FARLINGTON,  
PORTSMOUTH, PO6 1RT

MATERIAL

TITLE ASSY. GBA STUD  
GBA FEMALE (6,3<sup>±</sup>F)

TOLERANCES

X.	± 1mm
X.X	± 0.25mm
X.XX	± 0.1mm
X.XXX	± 0.01mm

FINISH

S/AREA	mm <sup>2</sup>
DIM'S. IN MM	
SCALE	4:1