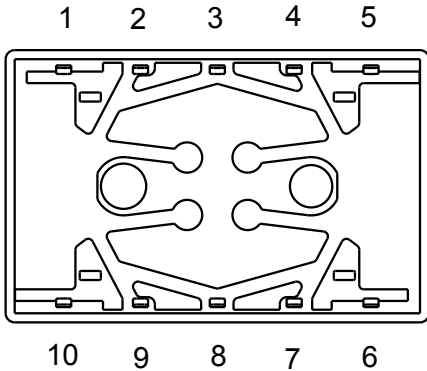
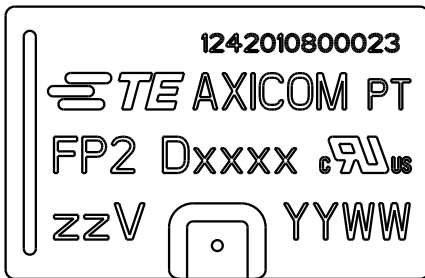
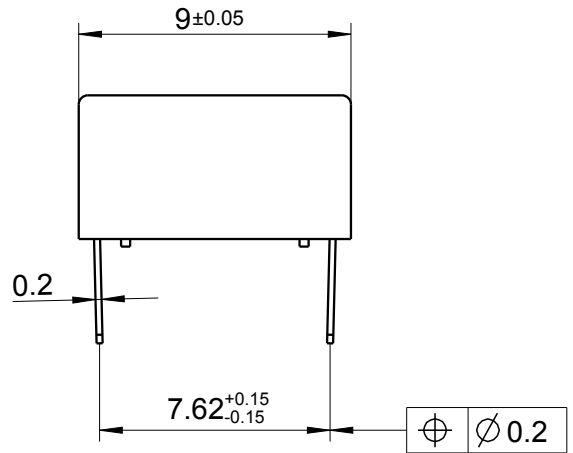
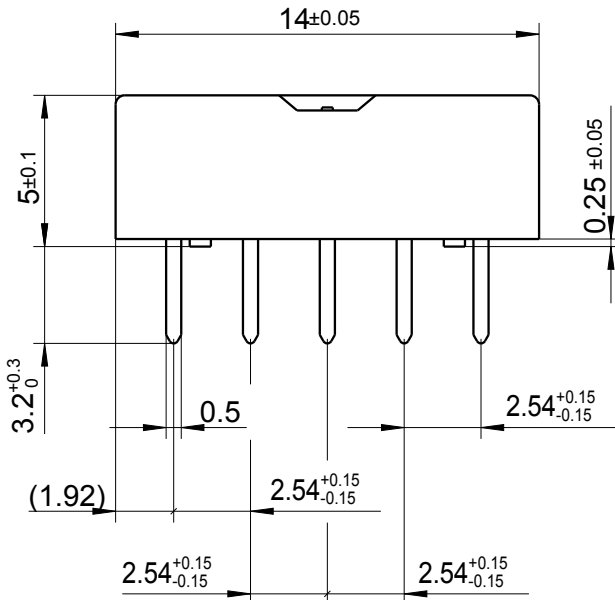


LOC	DIST	REVISIONS					
		P	LTR	DESCRIPTION	DATE	DWN	APVD
HJ	-						
		A2		Doc change D02239-DOK51 to C-1462033-2	30Jan2006	UKo	HD
		A3		change marking	28Jul2006	UKo	HD
		A4		REVISED PER ECO-11-005150	23MAR2011	RK	HMR
		A5		REVISED PER ECO-13-009556	14JUN2013	UKo	AK



Relay - bottom view



xxxx = Relay type
 zz = nominal voltage
 YYWW = Date code

2006

RELEASED FOR PUBLICATION

ALL RIGHTS RESERVED.

THIS DRAWING IS UNPUBLISHED.

© COPYRIGHT 2006

DRAWING ALIAS: D02239-DOK51

DIMENSIONS: mm	DWN AB 9124	23AUG1995	MATERIAL	-	FINISH	-
	CHK HD 9121	23AUG1995	TE Connectivity			
TOLERANCES UNLESS OTHERWISE SPECIFIED: DIN 7168-m	APVD HD 9121	23AUG1995				
0 PLC ±-	PRODUCT SPEC	-	NAME FP2-Relay Dimensions			
1 PLC ±-	APPLICATION SPEC	-	SIZE	CAGE CODE	DRAWING NO	RESTRICTED TO
2 PLC ±-			A4	00779	C-1462033-2	-
3 PLC ±-			CUSTOMER DRAWING			
4 PLC ±-	WEIGHT	-	SCALE	4:1	SHEET	1 OF 1
ANGLES ±-					REV	A5

Mouser Electronics

Authorized Distributor

Click to View Pricing, Inventory, Delivery & Lifecycle Information:

[TE Connectivity:](#)

[1-1462033-3](#)