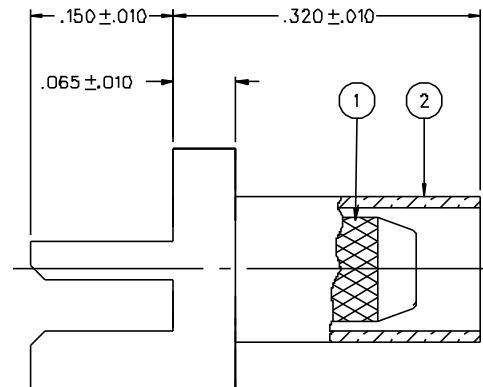
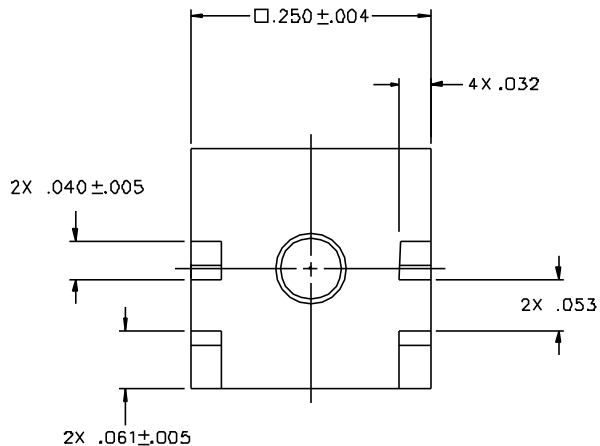
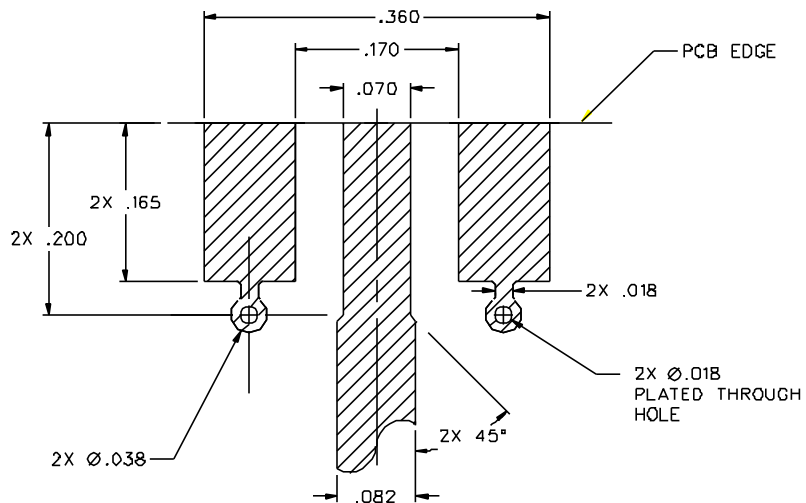


PART NUMBER	ITEM ① BODY	ITEM ② CRIMP SLEEVE
142-0003-811	BRASS GOLD PL .00001 MIN OVER NICKEL PL .00005 MIN OVER COPPER PL .00005 MIN	COPPER GOLD PL .00001 MIN OVER NICKEL PL .00005 MIN OVER COPPER PL .00005 MIN
142-0003-816	BRASS NICKEL PL .0001 MIN OVER COPPER PL .00005 MIN	COPPER NICKEL PL .0001 MIN OVER COPPER PL .00005 MIN

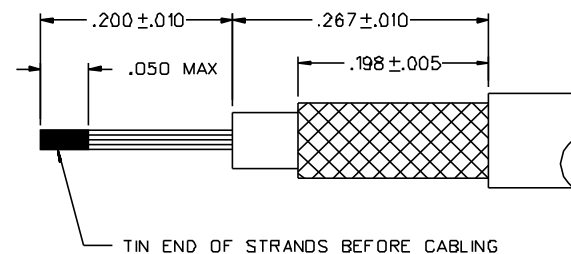
DRAWING NO. C - 142-0003-811/820	
0	REVISIONS
ENGINEERING RELEASE	
1	8-26-98 R H [initials] ECN 45B23



DIMENSIONS ARE SYMMETRICAL ABOUT THE CENTERLINE



TRACE WIDTH DIMENSIONS



CABLE STRIP DIMENSIONS

CUSTOMER DRAWING

THIS DRAWING TO BE INTERPRETED PER ANSI Y 14.5M - 1982

"μSTATION"

COMPANY CONFIDENTIAL

NOTES:

1. SPECIFICATIONS:

CABLE ACCEPTABILITY: RG 188/U, RG 316/U, RG 161/U
 RG 174/U, RG 179/U, RG 187/U
 CABLE HEX CRIMP SIZE: .128
 CABLE RETENTION: 20 LBS
 IMPEDANCE: 50 OHMS

TOLERANCE UNLESS OTHERWISE SPECIFIED	DRAWN BY KAS	DATE 5/19/98		299 Johnson Ave. P.O. Box 1732 Waseca, MN 56093-0832	
DECIMALS	CHECKED BY KAS	DATE 8-27-98		TITLE CABLE TERMINATION, .053 END LAUNCH, RG 316	
.XX	APPROVED BY TAK	DATE 9-9-98	CODE NO.	DRAWING NO. C - 142-0003-811/820	
.XXX -- .003	APPROVED BY RJB	DATE 9-11-98	SCALE 10:1	U/M INCH	
MATL	RELEASE DATE			SHEET 2 OF 2	
FINISH					