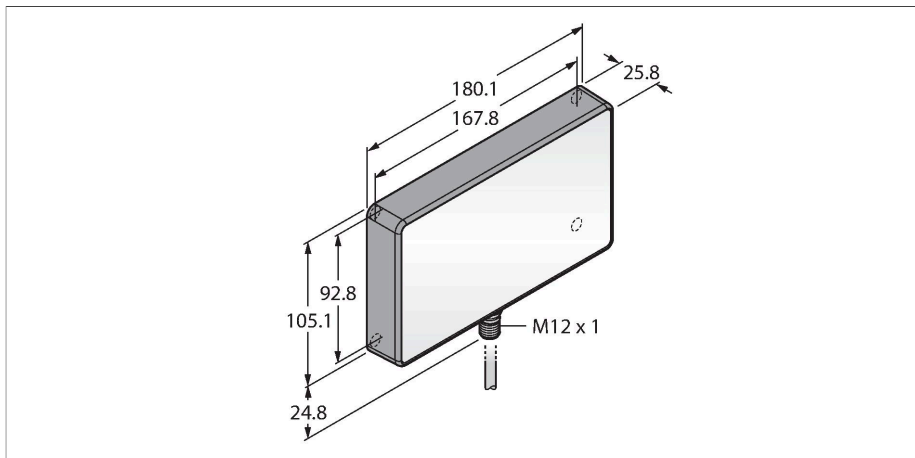


WLAW105X180L22Q

Work Light – Area Light



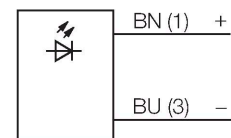
Technical data

Type	WLAW105X180L22Q
ID no.	3085652
Signal and display data	
Purpose	LED work light
Function	Area light
Light type	White
Color temperature	5300...+7000 K
Luminous flux lumen	550 lm
Aperture angle degree	22 °
Beam angle	22
LED service life (L70)	50000 h
Dimmable	no
Features of color 1	White, Permanently on, 550 lm
Special features	Wash down
Electrical data	
Operating voltage	12...30 VDC
DC rated operational current	≤ 400 mA
Input power	9.6 W
Mechanical data	
Cascadable	no
Design	Rectangular, WLA
Dimensions	129.9 x 180.1 x 25.8 mm
Housing material	Plastic, PBT, Grau
Window material	Acrylic, clear
Electrical connection	Connectors, M12 × 1, PVC
Number of cores	4

Features

- Protection classes IP67/IP69K
- Operating voltage: 12...30 VDC
- Color: Cold white
- Illuminance at 1 m: 1110 Lx
- Illumination area: 105 mm x 180 mm
- M12 x 1 connector

Wiring diagram



Functional principle

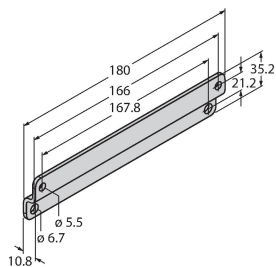
The energy-efficient LED work lights are ideally suited for industrial applications. The color temperature lies in the range of daylight, between 5,300 and 7000 Kelvin. Depending on the model, the luminous flux ranges between 550 and 2200 lumen. The lights are available on request in the colors warm white, green, red, yellow or blue as well as with different lenses that change the opening angle. Both also affects the luminous flux and the luminous intensity. The electrical connection is either established via standard M12 × 1 connector or pigtail directly at the terminal connection of existing installations.

Technical data

Ambient temperature	-20...+50 °C
Storage temperature	-40...+70 °C
Relative humidity	0...95 %
Protection class	IP67 IP69
Tests/approvals	
Approvals	CE, cULus

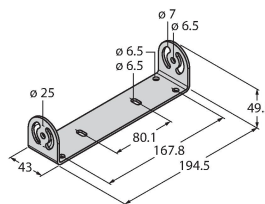
Accessories

SMBBSSM 3012465



Mounting brackets, 316 stainless steel, for wall mounting of WLA work lights, incl. 2 brackets and screw kit

SMBSRA 3017708



Mounting bracket, 316 stainless steel, for versatile mounting of WLA work lights, bracket can be aligned

SMBWLAMAG 3019672

Magnetic holder for direct mounting of WLA work lights on metallic surfaces, 4 magnets per light required, SMBWLAMAGR as optional scratch protection

Accessories

Dimension drawing	Type	ID no.	
	RKC4.4T-2/TEL	6625013	Connection cable, female M12, straight, 4-pin, cable length: 2 m, sheath material: PVC, black; cULus approval; other cable lengths and qualities available, see www.turck.com
	WKC4.4T-2/TEL	6625025	Connection cable, female M12, angled, 4-pin, cable length: 2 m, sheath material: PVC, black; cULus approval; other cable lengths and qualities available, see www.turck.com