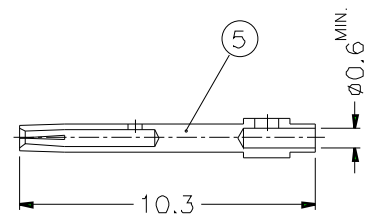
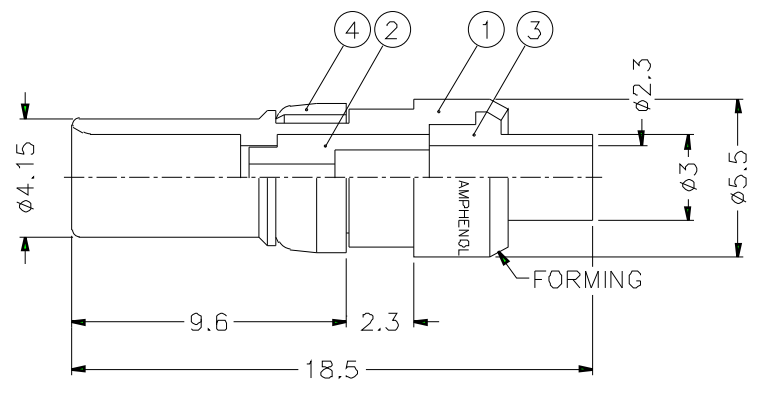
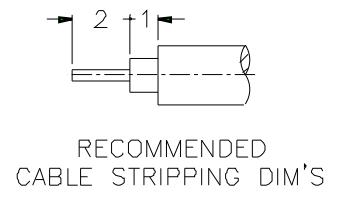


1			2			3			4			5			6			7			8		
REVISIONS																							
ISS	ZONE	DESCRIPTION\PER REQUEST\DATE																					



-CONNECTOR ACCORDING TO DIN 41 626
 -CONNECTOR IS ADAPTED IN MOLDING PARTS OF DIN 41 612 TYPE M
 -PACKAGING IN BAG WITH COMMERCIAL PART NUMBER AND DATE CODE

DIMENSIONS ARE IN MILLIMETERS										PART NO. 102 514 85		<h1>Amphenol</h1> <p>TITLE 1.0/2.3 STRAIGHT SEMI-RIGID JACK (FOR .085" CABLE)</p> <p>DRAWING NO.</p> <p>ITEM NO.</p>																	
5 CONTACT PIN BECU GOLD 1					4 RETAINER RING BECU NICKEL 1					APPROVED												DATE 10-11-01'							
3 BARREL BRASS GOLD 1					2 INSULATOR TEFLON NATURAL 1					CHECKED												DATE 10-11-01'							
1 BODY BRASS GOLD 1					NO. DESCRIPTION MATERIAL FINISH Q'TY DRAWING NO.					DRAWN												DATE 10-11-01'							
SCALE 4/1					ISSUE A					FILE NO.																			