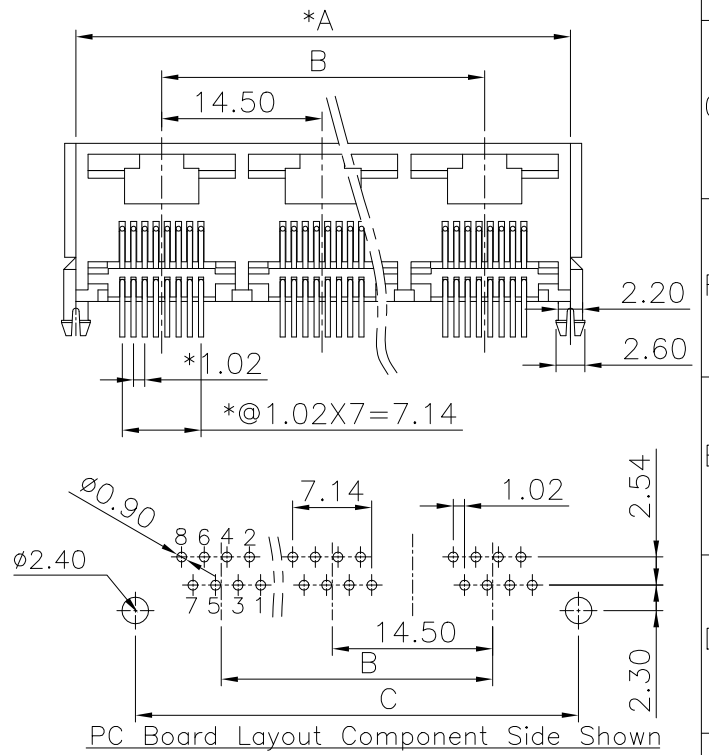
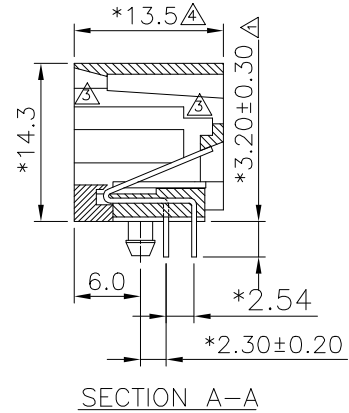
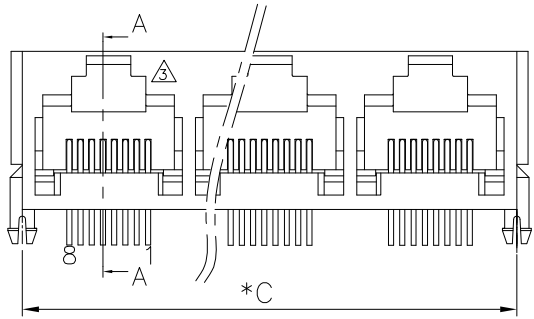


REVISION RECORD				
REV	ECO	DESCRIPTION	DRFT	CHKD
△		DRAWING MODIFY	PGP 02/01/02	
△		ADD PART NUMBER	LDY 9/18/02	
△		Design Modify	Synge 6/23/03	
△		DRAWING MODIFY	Synge 8/15/2003	



NOTES:

ELECTRICAL:

- VOLTAGE RATING : 125 VAC RMS.
- CURRENT RATING : 1.5 AMP.
- CONTACT RESISTANCE : 30 MILLIOHMS MAX.
- INSULATION RESISTANCE:1000 MEGOHMS MIN @ 500 VDC.
- DIELECTRIC STRENGTH : 1000 VAC RMS 60Hz, 1MIN.

MECHANICAL:

- HOUSING MATERIAL : GLASS FILLED POLYESTER UL94V-0.
- CONTACT MATERIAL : PHOSPHOR BRONZE $\phi 0.46\text{mm}$.
- PLATING : GOLD PLATING OVER NICKEL.
- OPERATING LIFE : 750 CYCLES MIN.
- PCB RETENTION PRE-SOLDER : 1 LB MIN.
- PCB RETENTION POST-SOLDER: 10 LBS MIN.

ENVIRONMENTAL:

- STORAGE : -40°C TO +85°C.
- OPERATION: 0°C TO 70°C.

MATES WITH MODULAR PLUG CONFORMING TO FCC PART 68, SUBPART F.

CUL FILE NO. E163191

PART NUMBER: E558X-20XXXX

NO. OF CONTACT:	1- 3u" 2- 6u"
4- 4C	3-15u" 4-30u"
6- 6C	5-50u" 6-Pd 20u"
8- 8C	
△ C- 4 PORTS	1- WITH PANEL STOP
D- 5 PORTS	2- W/O PANEL STOP
E- 6 PORTS	5--A06-0080
G- 8 PORTS	D--A06-0600 △

PORTS	A	B	C
4	59.0	43.50	59.0
5	73.5	58	73.5
6	88.0	72.50	88.0
8	117.0	101.50	117.0

← MM (INCH) → TOLERANCES EXCEPT AS NOTED		DFTO LiuAiqiao DATE 5/07/01* CHKD SAMMY DATE 8/15/'03 MFO DATE APPVLCZH DATE 8/15/'03	FULL RISE ELECTRONIC CO., LTD	
DETACHED LISTS .0 ± 0.2 ± .00 ± 0.15 ± .000 ± 0.075 ±		MATERIAL : QT'Y : FINISH : SCALE : 2:1	TITLE MINI L/P MULTI-PORTS 8P	
ANGLES ± 0.5 THIRD ANGLE PROJECTION		DRAWING NO. GE553041 /PART NO. SEE NOTE	SIZE A3 REV 4	DO NOT SCALE DRAWING SHEET OF