

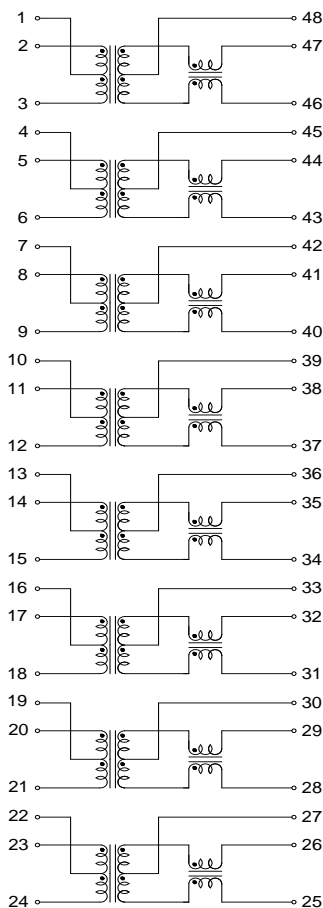
### Feature

- Compliant with IEEE 802.3at standard.
- Comply with RoHS requirements.
- Suitable for End-span PoE applications with 720mA current capability.
- Operating temperature range: -40°C to +85°C.
- Storage temperature range: -40°C to +125°C.

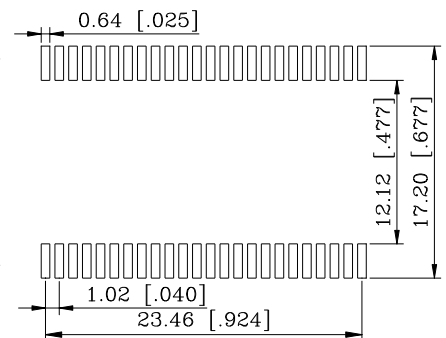
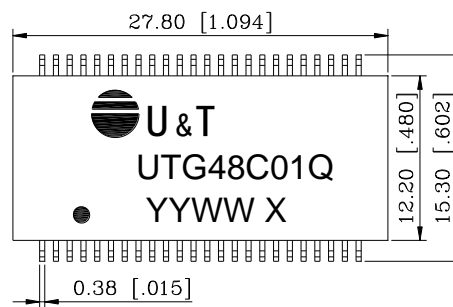
### Electrical Specifications @ 25°C

OCL:	350uH Min. @100KHz/0.1V with 8mA DC Bias		
Hi-Pot :	1500Vrms		
Turns Ratio:	1CT:1CT±3%		
LK:	0.5uH Max @100KHz/0.2V		
Cw/w	35PF Max @100KHz/0.2V		
D.C.R:	1.2 ohm Max		
Insertion Loss:	1-100MHz: -1.0dB Max		
Cross Talk :	1-100MHz: -30dB Min		
CMRR:	1-100MHz: -30dB Min		
Return Loss:	1-40MHz	40-80MHz	80-100MHz
	-16dB Min	-10+20log(f/80)dB Min	-10dB Min

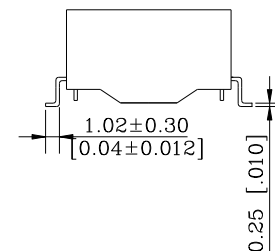
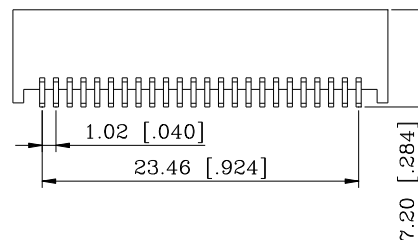
### Schematic



### Mechanical



SUGGESTED PAD LAYOUT



1. Unit: mm[inch]

2. Unless otherwise specified, all tolerances are ±0.25[.01]