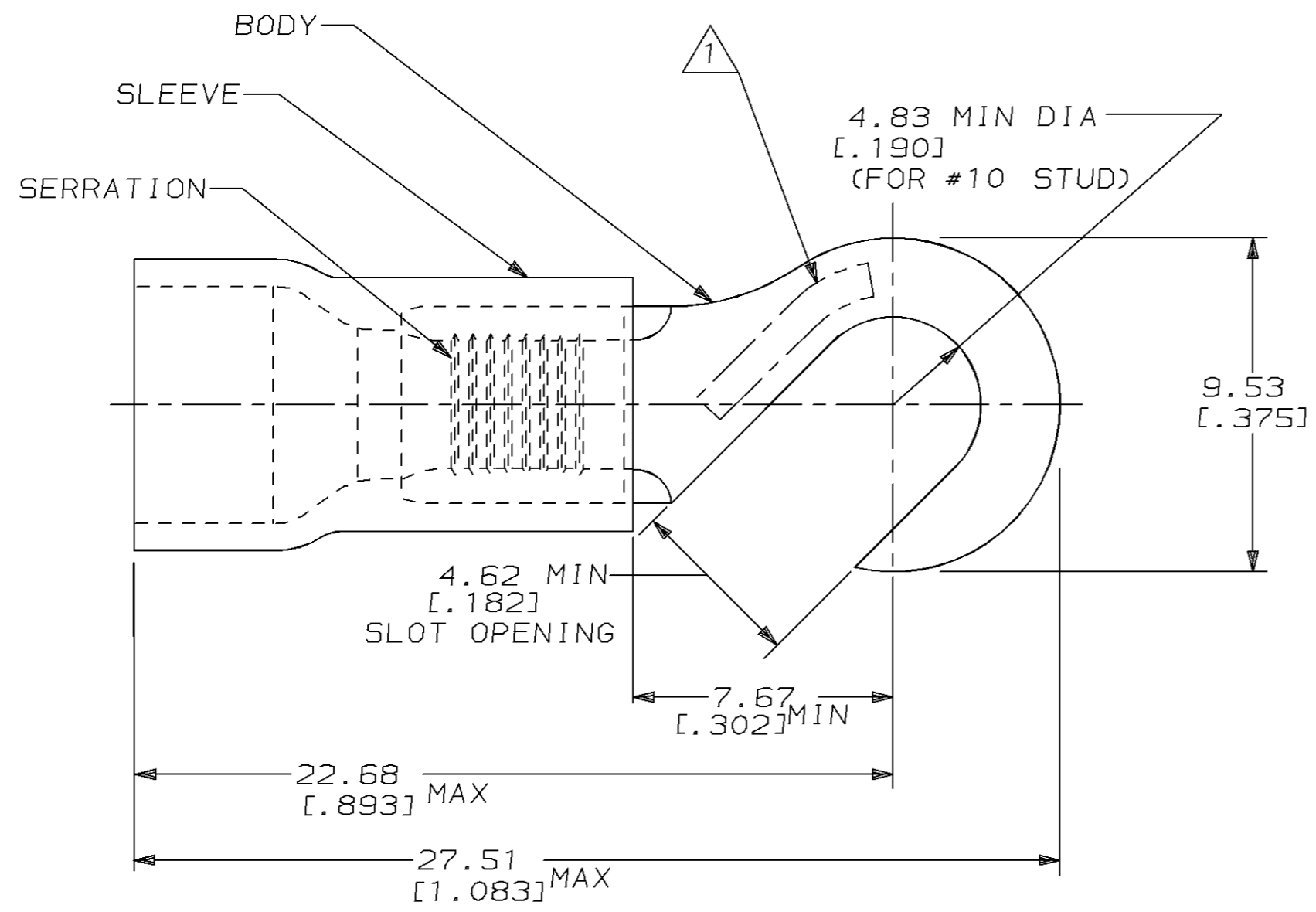


THIS DRAWING IS UNPUBLISHED. RELEASED FOR PUBLICATION ,19 .
 © COPYRIGHT 19 BY AMP INCORPORATED. ALL RIGHTS RESERVED.

LOC		DIST		REVISIONS			
P	LTR	DESCRIPTION		DATE	DWN	APVD	
G	14	H		OBS/ 0L20-0121-96	13DEC96	ME	BB

AMP WIRE RANGE	UL E13288	SR LR7189 Certified
12-10 AWG SOLID OR STRANDED	12-10 AWG SOLID OR STRANDED	12-10 AWG SOLID OR STRANDED



- 1 STAMP AMP 12-10* APPROX AS SHOWN
- 2. WIRE INSUL DIA, 3.81-5.84 [.150-.230]
- 3. TONGUE MATL THK, 1.02±0.05 [.040±.002]

OBSOLETE

-	-	-
2500	ON TAPE, REEL	2-324210-1
500	LOOSE PIECE	324210
QTY	PACKAGE TYPE	PART NO

AMP INCORPORATED CUSTOMER SERVICE SYSTEM		MAX RECOMMENDED OPERATING TEMPERATURE: 90°C [194°F]	THIS DRAWING IS A CONTROLLED DOCUMENT FOR AMP INCORPORATED. IT IS SUBJECT TO CHANGE AND THE CONTROLLING ENGINEERING ORGANIZATION SHOULD BE CONTACTED FOR THE LATEST REVISION.		DWN L OLMEDA 05SEP95	AMP AMP Incorporated Harrisburg, PA 17105-3608
FOR ADDITIONAL PRODUCT INFORMATION OR COPIES OF DRAWINGS AND TECHNICAL DOCUMENTS	PRODUCT INFORMATION CENTER 1-800-522-6752		VOLTAGE RATING: 600V MAX (1000V FIXTURE OR SIGN)	DIMENSIONS: mm [in]	TOLERANCES UNLESS OTHERWISE SPECIFIED:	
FOR APPLICATION TOOLING INFORMATION	TOOLING ASSISTANCE CENTER 1-800-722-1111	CIRCULAR MIL AREA: 2.62mm² - 6.64mm² [5,180-13,100]		0 PLC ±-	APVD G NGO 05SEP95	NAME TERMINAL, HOOK TONGUE, PLASTI-GRIP™, WIRE SIZE, 12-10 AWG
FOR ORDER ENTRY	1-800-526-5142			MATERIAL BODY, CU PER ASTM B152 SLEEVE, PVC, COLOR, YELLOW	FINISH TIN PLATE PER MIL-T-10727	
					3 PLC ±-	CAGE CODE 00779
					4 PLC ±-	DRAWING NO C-324210
					ANGLES ±-	SCALE 6:1
					WEIGHT -	SHEET 1 OF 1
					CUSTOMER DRAWING	REV H