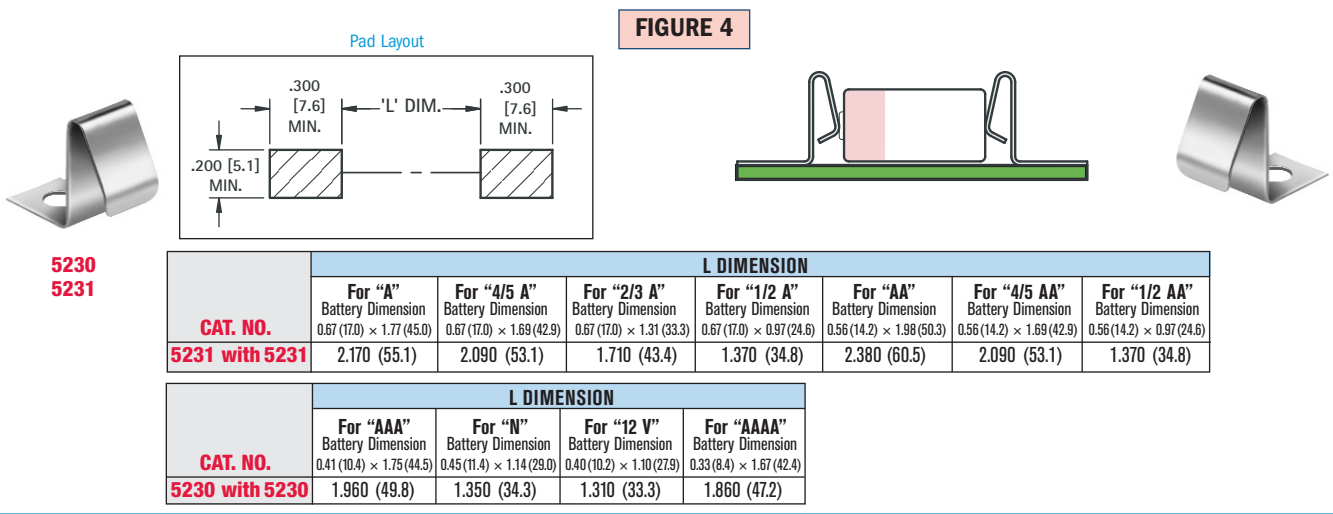
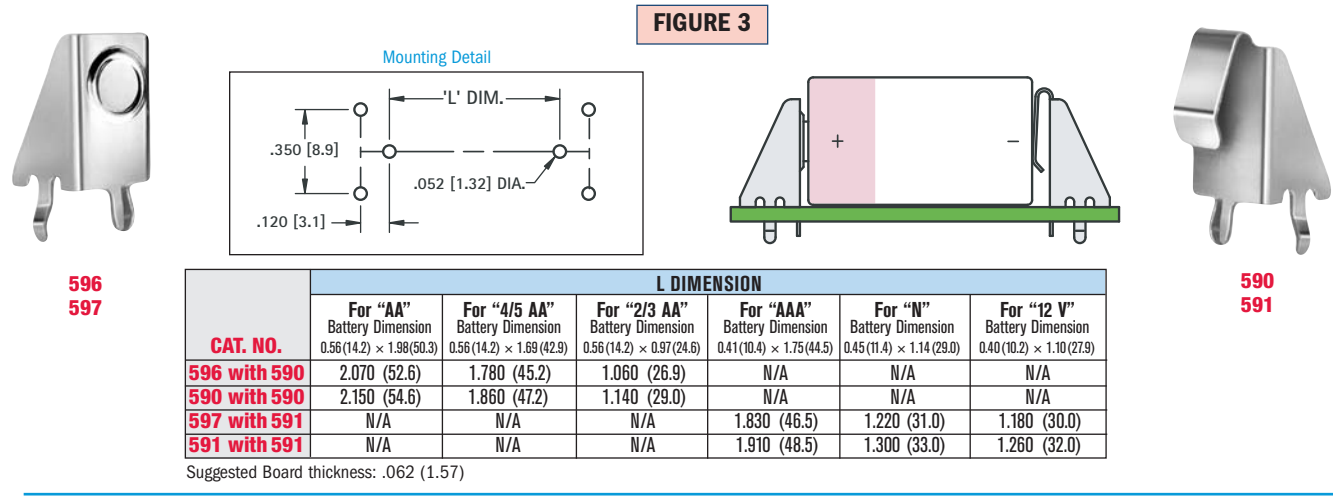
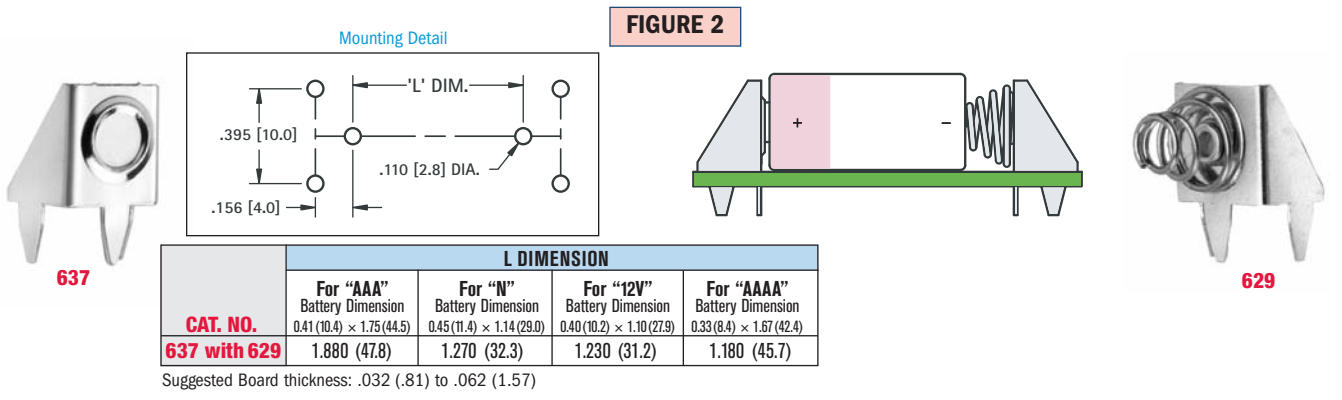
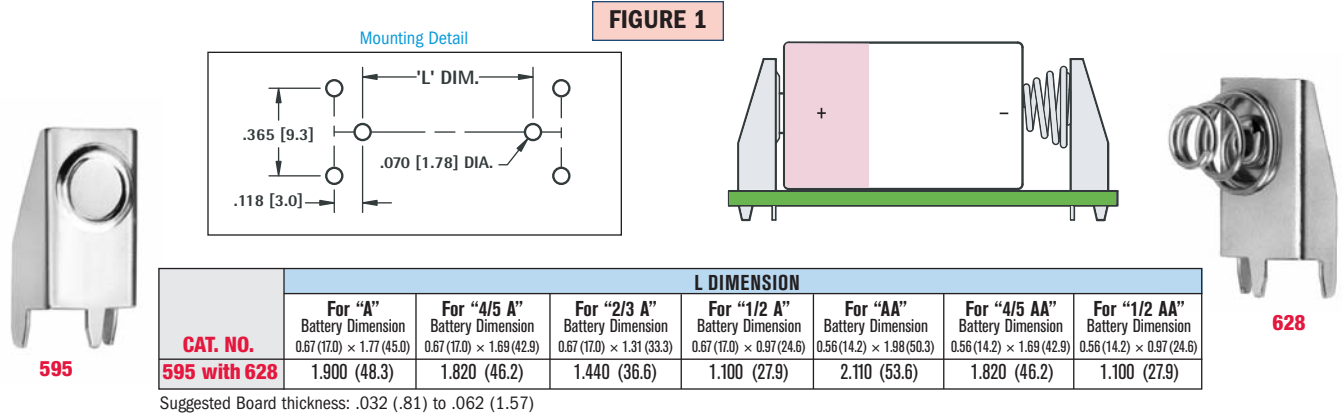


**BATTERY CONTACTS LAYOUT & MOUNTING DETAILS**

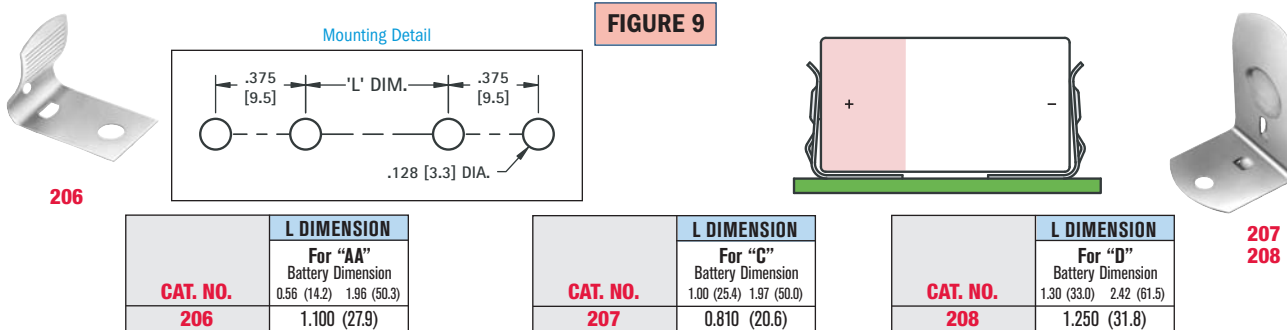
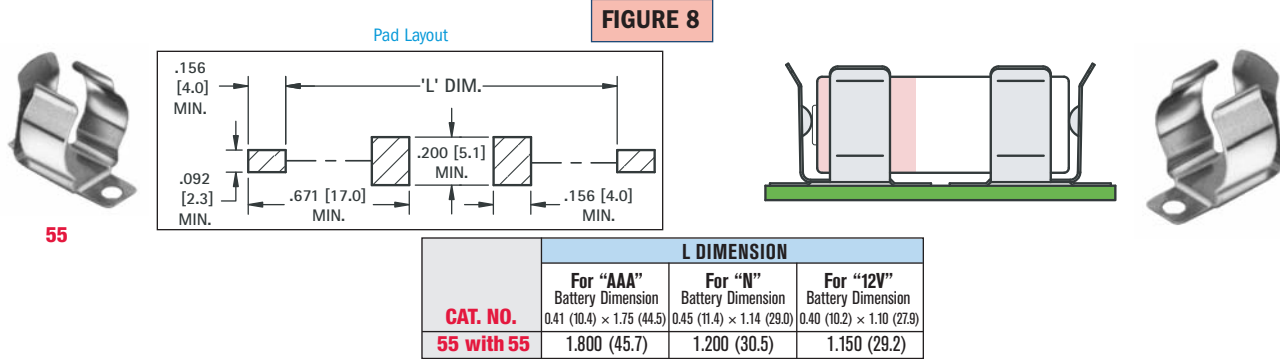
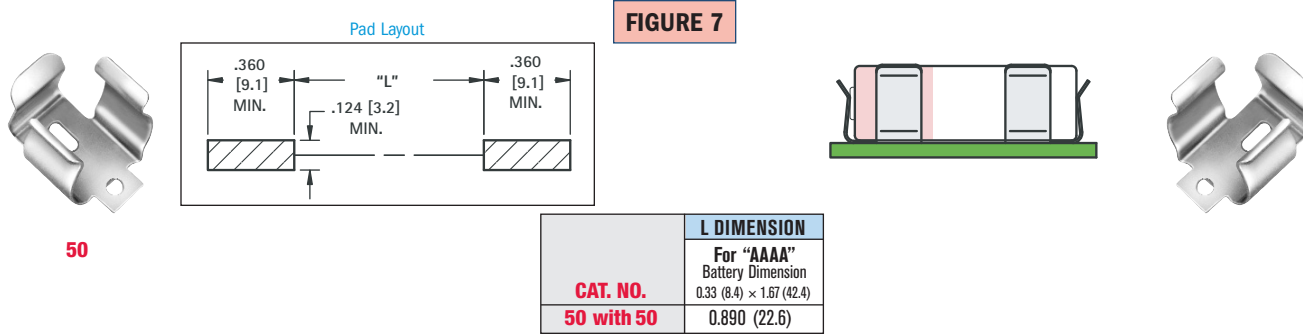
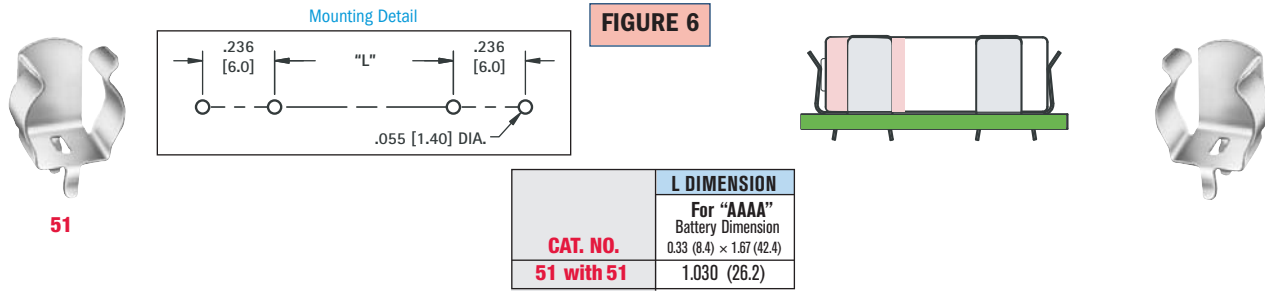
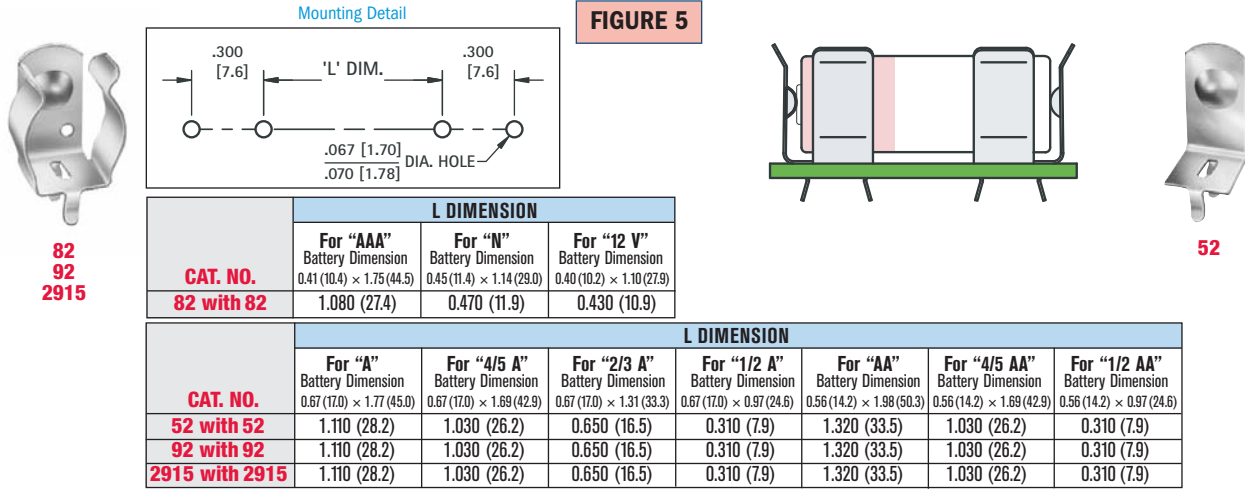
**REFER TO PAGE 5 FOR PART DIMENSIONS**

NOTE: ALL MOUNTING DIMENSIONS ARE FOR REFERENCE ONLY. PLEASE VERIFY YOUR BATTERY LAYOUT PRIOR TO FABRICATION.



## REFER TO PAGE 6 FOR PART DIMENSIONS

NOTE: ALL MOUNTING DIMENSIONS ARE FOR REFERENCE ONLY. VERIFY YOUR BATTERY LAYOUT PRIOR TO FABRICATION.



BATTERY CONTACTS LAYOUT & MOUNTING DETAILS

**REFER TO PAGE 7 FOR PART DIMENSIONS**

NOTE: ALL MOUNTING DIMENSIONS ARE FOR REFERENCE ONLY. PLEASE VERIFY YOUR BATTERY LAYOUT PRIOR TO FABRICATION.

**BATTERY CONTACTS LAYOUT & MOUNTING DETAILS**

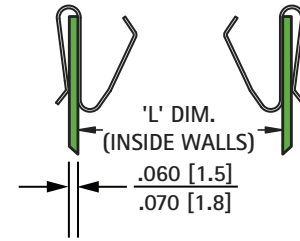
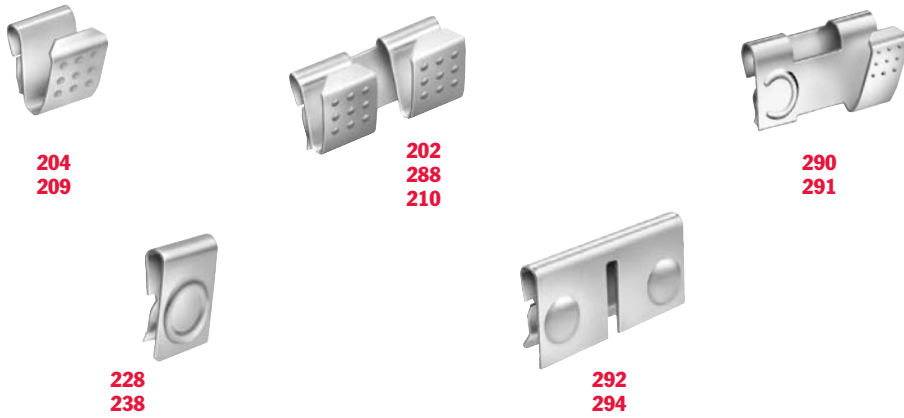


FIGURE 10

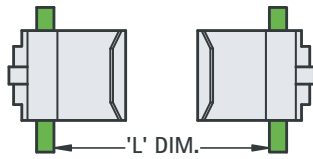


FIGURE 11

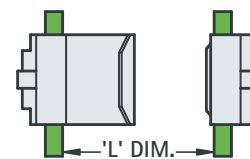


FIGURE 12

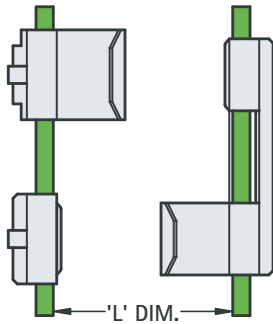


FIGURE 13

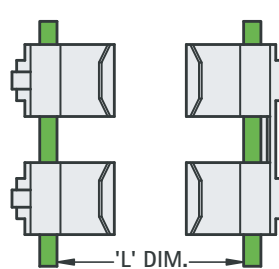
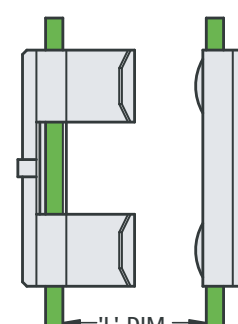


FIGURE 14



CAT. NO.	L DIMENSION				
	FIG. NO.	For "AAA" Battery Dimension	For "AAAA" Battery Dimension	For "N" Battery Dimension	For "12 VOLT" Battery Dimension
204 with 204	10	1.970 (50.0)	1.890 (48.0)	1.360 (34.5)	1.320 (33.5)
204 with 238	11	1.870 (47.5)	1.790 (45.5)	1.260 (32.0)	1.220 (31.0)
204 with 294	11	1.870 (47.5)	1.790 (45.5)	1.260 (32.0)	1.220 (31.0)
204(2) with 202	13	1.970 (50.0)	1.890 (48.0)	1.360 (34.5)	1.320 (33.5)
202 with 294	14	1.870 (47.5)	1.790 (45.5)	1.260 (32.0)	1.220 (31.0)

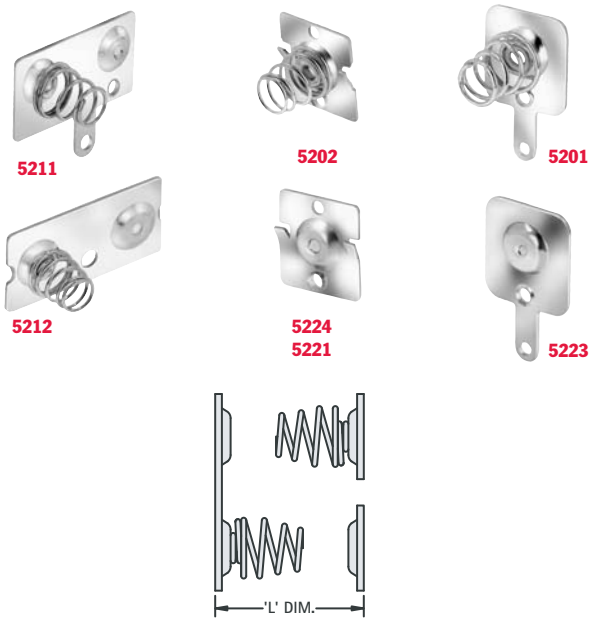
CAT. NO.	L DIMENSION							
	FIG. NO.	For "A" Battery Dimension	For "4/5A" Battery Dimension	For "2/3A" Battery Dimension	For "1/2A" Battery Dimension	For "AA" Battery Dimension	For "4/5AA" Battery Dimension	For "1/2AA" Battery Dimension
209 with 209	10	2.060 (52.3)	1.980 (50.3)	1.600 (40.6)	1.260 (32.0)	2.270 (57.7)	1.980 (50.3)	1.260 (32.0)
209 with 228	11	1.920 (48.8)	1.840 (46.7)	1.460 (37.1)	1.120 (28.4)	2.130 (54.1)	1.840 (46.7)	1.120 (28.4)
209, 228 with 290	12	1.920 (48.8)	1.840 (46.7)	1.460 (37.1)	1.120 (28.4)	2.130 (54.1)	1.840 (46.7)	1.120 (28.4)
209, 228 with 291	12	1.920 (48.8)	1.840 (46.7)	1.460 (37.1)	1.120 (28.4)	2.130 (54.1)	1.840 (46.7)	1.120 (28.4)
209(2) with 288	13	2.060 (52.3)	1.980 (50.3)	1.600 (40.6)	1.260 (32.0)	2.270 (57.7)	1.980 (50.3)	1.260 (32.0)
209(2) with 210	13	2.060 (52.3)	1.980 (50.3)	1.600 (40.6)	1.260 (32.0)	2.270 (57.7)	1.980 (50.3)	1.260 (32.0)
210 with 292	14	1.930 (49.0)	1.850 (47.0)	1.470 (37.3)	1.130 (28.7)	2.140 (54.4)	1.850 (47.0)	1.130 (28.7)

Suggested wall thickness: .062 (1.57) through .078 (1.98)

**REFER TO PAGES 8 & 9 FOR PART DIMENSIONS**

NOTE: ALL MOUNTING DIMENSIONS ARE FOR REFERENCE ONLY. VERIFY YOUR BATTERY LAYOUT PRIOR TO FABRICATION.

**FIGURE 15**



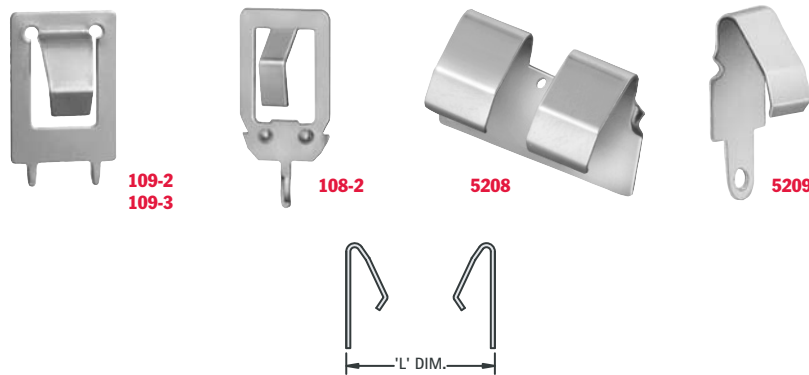
**FIGURE 16**



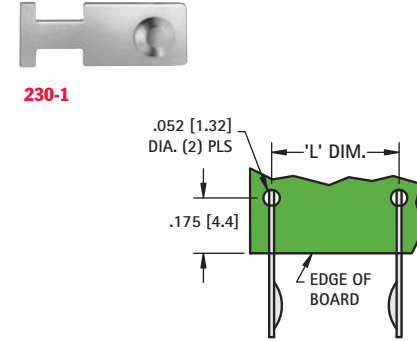
**FIGURE 17**



**FIGURE 18**



**FIGURE 19**



CAT. NO.	FIG. NO.	PAGE NO.	L DIMENSION						
			For "A" Battery Dimension 0.67 (17.0) × 1.77 (45.0)	For "4/5A" Battery Dimension 0.67 (17.0) × 1.69 (42.9)	For "2/3A" Battery Dimension 0.67 (17.0) × 1.31 (33.3)	For "1/2A" Battery Dimension 0.67 (17.0) × 0.97 (24.6)	For "AA" Battery Dimension 0.56 (14.2) × 1.98 (50.3)	For "4/5AA" Battery Dimension 0.56 (14.2) × 1.69 (42.9)	For "1/2AA" Battery Dimension 0.56 (14.2) × 0.97 (24.6)
5211 with 5201, 5223	15	8	2.050 (52.1)	1.970 (50.0)	1.590 (40.4)	1.250 (31.8)	2.260 (57.4)	1.970 (50.0)	1.250 (31.8)
5212 with 5221, 5222	15	8	2.050 (52.1)	1.970 (50.0)	1.590 (40.4)	1.250 (31.8)	2.260 (57.4)	1.970 (50.0)	1.250 (31.8)
5227 with 5228	16	8	2.050 (52.1)	1.970 (50.0)	1.590 (40.4)	1.250 (31.8)	2.260 (57.4)	1.970 (50.0)	1.250 (31.8)
5223 with 5201	17	8	2.050 (52.1)	1.970 (50.0)	1.590 (40.4)	1.250 (31.8)	2.260 (57.4)	1.970 (50.0)	1.250 (31.8)
5221 with 5222	17	8	2.050 (52.1)	1.970 (50.0)	1.590 (40.4)	1.250 (31.8)	2.260 (57.4)	1.970 (50.0)	1.250 (31.8)
5224 with 5202	17	8	2.030 (51.6)	1.950 (49.5)	1.570 (39.9)	1.230 (31.2)	2.240 (56.9)	1.950 (49.5)	1.230 (31.2)
5208 with 5209, 5209	18	9	2.130 (54.1)	2.050 (52.1)	1.670 (42.4)	1.330 (33.8)	2.340 (59.4)	2.050 (52.1)	1.330 (33.8)
5209 with 5209	18	9	2.130 (54.1)	2.050 (52.1)	1.670 (42.4)	1.330 (33.8)	2.340 (59.4)	2.050 (52.1)	1.330 (33.8)
108-2 with 108-2	18	9	2.010 (51.1)	1.930 (49.0)	1.550 (39.4)	1.210 (30.7)	2.220 (56.4)	1.930 (49.0)	1.210 (30.7)
109-2 with 109-2	18	9	2.010 (51.1)	1.930 (49.0)	1.550 (39.4)	1.210 (30.7)	2.220 (56.4)	1.930 (49.0)	1.210 (30.7)
109-3 with 109-3	18	9	2.010 (51.1)	1.930 (49.0)	1.550 (39.4)	1.210 (30.7)	2.220 (56.4)	1.930 (49.0)	1.210 (30.7)

CAT. NO.	FIG. NO.	PAGE NO.	L DIMENSION			
			For "AAA" Battery Dimension 0.41 (10.4) × 1.75 (44.5)	For "AAAA" Battery Dimension 0.33 (8.4) × 1.67 (42.4)	For "12 VOLT" Battery Dimension 0.40 (10.2) × 1.10 (27.9)	For "N" Battery Dimension 0.45 (11.4) × 1.14 (29.0)
5214 with 5203, 5225	15	9	1.980 (50.3)	1.900 (48.3)	1.330 (33.8)	1.370 (34.8)
5213 with 5203, 5225	15	9	1.980 (50.3)	1.900 (48.3)	1.330 (33.8)	1.370 (34.8)
5203 with 5225	17	9	1.980 (50.3)	1.900 (48.3)	1.330 (33.8)	1.370 (34.8)
5204 with 5226	17	9	1.980 (50.3)	1.900 (48.3)	1.330 (33.8)	1.370 (34.8)
108-2 with 108-2	18	9	1.990 (50.5)	1.910 (48.5)	1.340 (34.0)	1.380 (35.1)
230 with 230-1	19	9	1.730 (43.9)	1.670 (42.4)	1.100 (27.9)	1.140 (29.0)