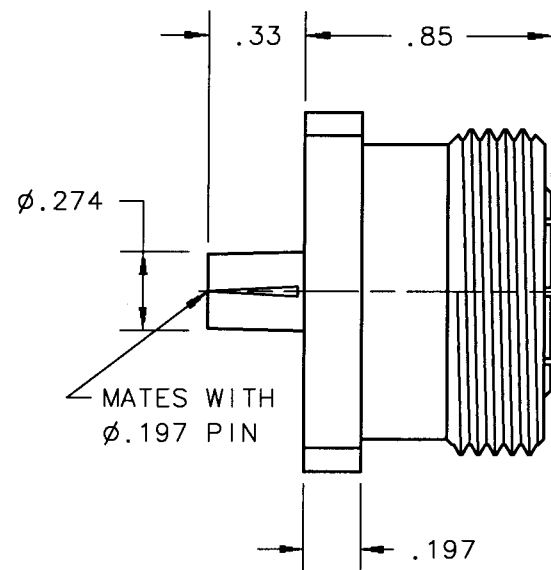
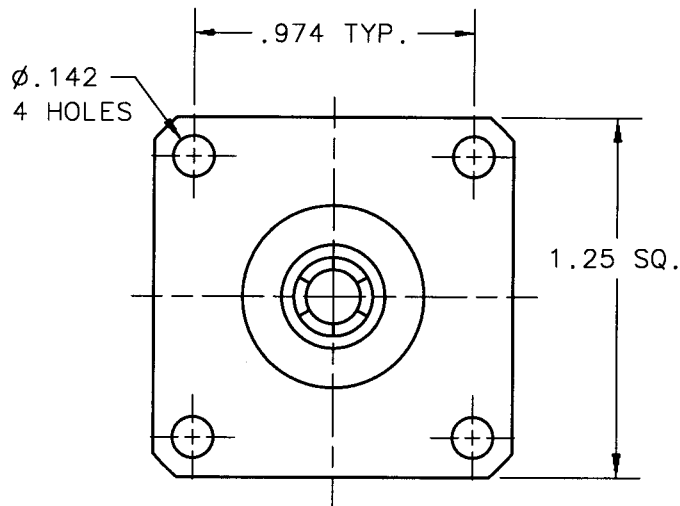
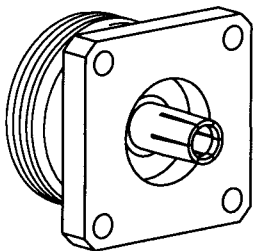


THIS DOCUMENT AND INFORMATION CONTAINED HEREIN ARE THE PROPERTY OF TRU-CONNECTOR CORP. REPRODUCTION OR USE THEREOF, IN WHOLE OR PART, IS PROHIBITED WITHOUT THE WRITTEN CONSENT OF TRU-CONNECTOR CORPORATION.

DWG. NO.

TRU-6660-04SNX



MATERIAL

INSULATOR - TEFLON
 FEMALE CONTACTS - BERYLLIUM COPPER
 CONTACT FINGERS - PHOSPHOR BRONZE
 OTHER METAL PARTS - BRASS

FINISH

FEMALE CONTACTS - SILVER PLATED
 OTHER METAL PARTS - NICKEL PLATED



CAGE-92180

TRU-CONNECTOR CORPORATION

245 LYNNFIELD STREET
 PEABODY, MASSACHUSETTS 01960

phone: 978-532-0775
 fax: 978-531-6993

E-mail: trusales@tru-con.com

DESCRIPTION

CONNECTOR, COAXIAL, RF
 SERIES: 7-16(f)
 RECEPTACLE, PANEL

DRAWN BY WWW	DATE 10-26-98	SCALE 1.5X	CHKD. BY <i>Kash</i>	FILE AS TRU-6660-04SNX
-----------------	------------------	---------------	-------------------------	---------------------------

REFERENCE	THIRD ANGLE PROJECTION	DWG. NO. TRU-6660-04SNX
-----------	------------------------	----------------------------