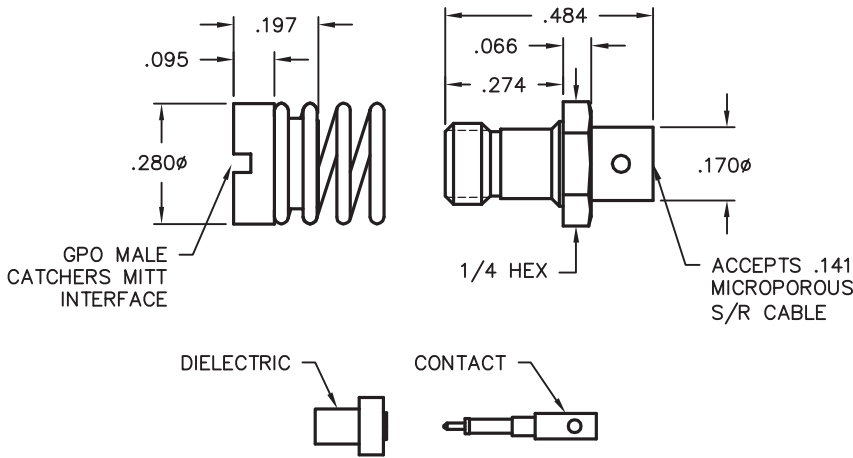


Male Catchers Mitt Bulkhead Float Mount to 0.141 Microporous S/R Cable

Catalog Number 0119-590-3 **Assembly Procedure** AP01-045

Tools Recommended

- A096-A99-02
- L096-A99-01
- A096-A99-09

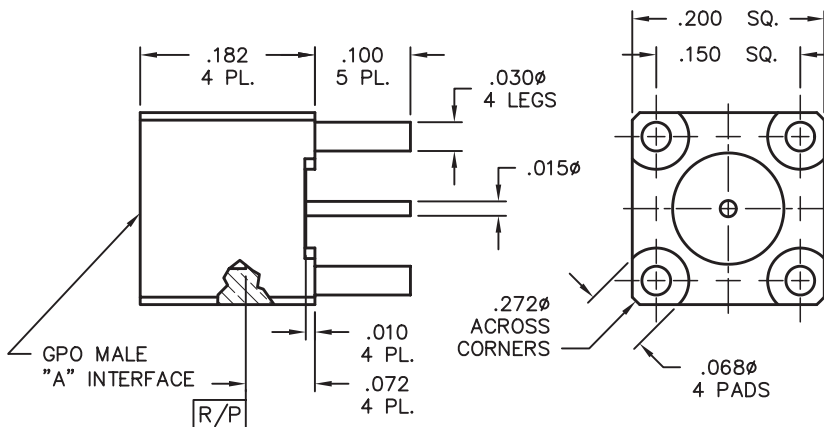


GPO PCB Mounts

Male Straight to PCB

| Catalog Number | A |
|----------------|----|
| A008-L13-03 | FD |
| A008-L14-03 | LD |
| A008-L15-03 | SB |

VSWR (TYP)
1.30:1 to 20 GHz



Male PCB 4 Leg Thru Mount Cap Center Conductor

| Catalog Number | A | B |
|----------------|----|------|
| A008-L33-01 | FD | .100 |
| A008-L34-01 | LD | .100 |
| A008-L35-01 | SB | .100 |
| A008-L33-02 | FD | .140 |
| A008-L34-02 | LD | .140 |
| A008-L35-02 | SB | .140 |

VSWR (TYP)
1.30:1 to 20 GHz

