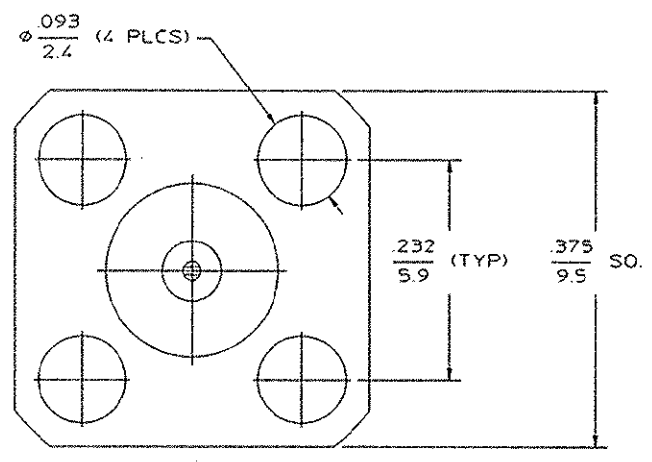
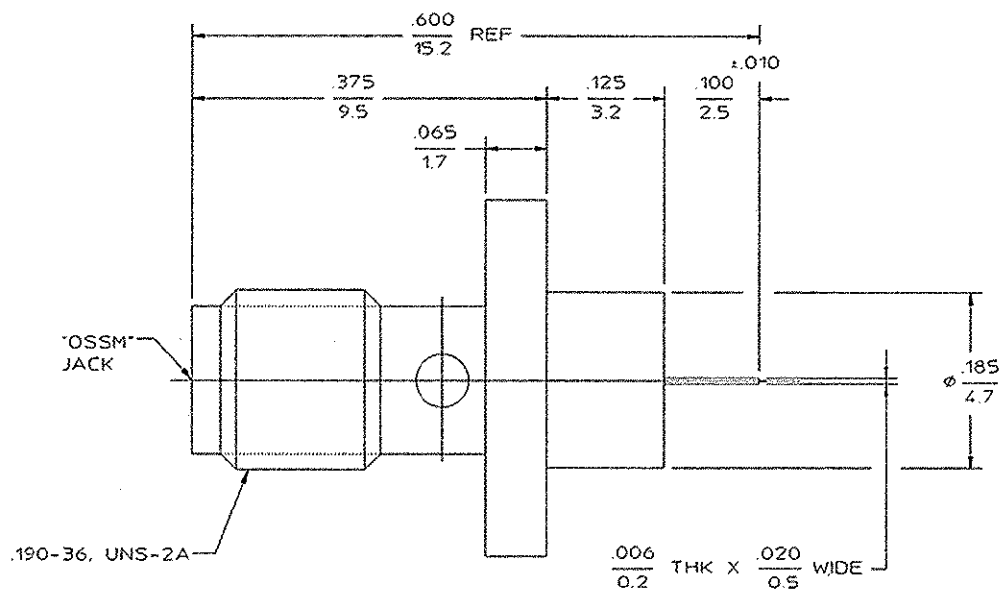



REVISIONS			
REV	DESCRIPTION	DATE	APPROVED
01 <sub>2</sub>	REVISED	2/29/69	<i>[Signature]</i>



COMPONENT	MATERIAL	FINISH
HOUSING	STAINLESS STEEL PER ASTM-A484 AND ASTM-A582, TYPE 303	GOLD PLATE PER MIL-G-45204
DIELECTRIC	TFE FLUOROCARBON PER ASTM-D-1457	N/A
CENTER CONTACT	BERYLLIUM COPPER PER ASTM-B-196 OR ASTM-B-197, ALLOY C17300, CONDITION H	GOLD PLATE PER MIL-G-45204
CAP	PLASTIC	N/A

UNLESS OTHERWISE SPECIFIED DIMENSIONS ARE IN INCHES FRAC. DEC. ANGLES 1/64 .005 1°	DRAWN BY: RMK 2/26/69	 an AMP company	M/A-COM, Inc. Waltham, MA 02254	
	CHECKED BY: BWC 2/28/69		TITLE: 'OSSM' STRAIGHT PANEL MOUNT JACK RECEPTACLE - TAB TERMINAL -	
These drawings and specifications are the property of M/A-COM Interconnect Div. and shall not be reproduced or copied or used in whole or in part as the basis for the manufacture or sale of a item(s) without written permission.	APPROVED BY: PRB 2/29/69	NO. AP: N/A	SIZE: B	CODE IDENT NO: 26805
	USE ASSY PROCEDURE		SCALE: 8:1	1052-1132-00
			REV: 01 <sub>2</sub>	SHEET 1 OF 1

NOTES:  
1. CAPTURED CENTER CONTACT

.XXX = in  
XX.X = mm (REF)

CUSTOMER

Tyco PART # 1045573  
SHEET 1 of 1 REV 0