

67 MC 310-508

Pluggable terminal blocks on pin headers, pitch 5.08 mm

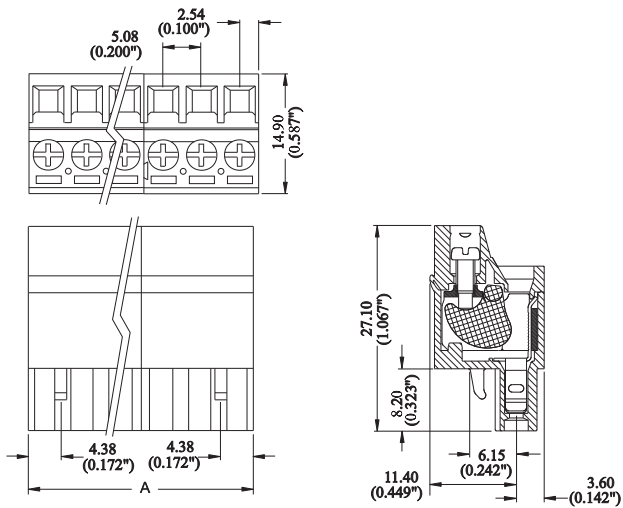


Pluggable screw terminal block, clamp with wire protection, with locking, cable departure and screws 180° to plugging direction, stringable without loss of pitch, with combined screw (cross recession/slot)

Approvals:



67 MC 310-508



**Environmental conditions**

Temperature range -40 °C/+105 °C

**Materials**

Insulating body PA, V-0 according to UL94  
 Contact spring CuSn, tin-plated  
 Clamp steel, zinc-plated  
 Screw steel, zinc-plated

**Mechanical data**

Screw size M2,6  
 Tightening torque screw 0,5 Nm

**Connectable conductors for screw clamp**

Section AWG 24-14 (0,25-2,5 mm<sup>2</sup>)  
 Stripping length 4-5 mm

**Electrical data (at T<sub>amb</sub> 20 °C)**

Rated current 16 A  
 Rated voltage 300 V AC  
 Rated impulse voltage ≥ 2 kV  
 Insulation resistance > 5 GΩ

**Associated products**

Counterparts  
 ☞ ME 010-508 ☞ ME 020-508 ☞ ME 030-508  
 ☞ ME 040-508

67

MC 310-508

Designation	Pole Number	PU (Pieces)	MDQ (Pieces)	Dimensions A (mm)
MC 310-508 02	2	500	600	10.16
MC 310-508 03	3	500	600	15.24
MC 310-508 04	4	300	600	20.32
MC 310-508 06	6	250	600	30.48
MC 310-508 08	8	200	600	40.64

**Packaging:**

in bulk, in a plastic bag