

COAXIAL ATTENUATORS

SMA and N

MINIATURE and STANDARD up to 1 GHz

R526

Step of attenuation :

1 : 1 dB

Range :

1 : 0 to 15 dB
 2 : 0 to 31 dB
 3 : 0 to 63 dB
 4 : 0 to 127 dB

Connectors :

1 : SMA female
 2 : N female

Options :

1 : Without TTL driver
 2 : With TTL driver

Actuator connectors :

1 : Solder pins
 2 : Double rows .10"
 (2.54 mm) pitch

Actuator voltage :

2 : 12 Volts
 3 : 24 Volts

GENERAL SPECIFICATIONS - RF PERFORMANCES

Frequency range	GHz	DC - 1			
Impedance	Ω	50			
Range	dB	0 - 15	0 - 31	0 - 63	0 - 127
Number of cells		4	5	6	8
Step	dB	1			
V.S.W.R.		≤ 1.40			
Insertion Loss	dB	≤ 1.80	≤ 2.25	≤ 2.70	≤ 3.60
Deviation	dB	± 0.20	± 0.20	± 0.20	
	(1 - 2 - 4 - 8 dB)	-	± 0.30	± 0.30	
	(16 dB)	-	-	± 0.50	
	(32 dB)	-	-		
Average power at 23 °C CW	W	1			

GENERAL SPECIFICATIONS - ADDITIONAL PERFORMANCES

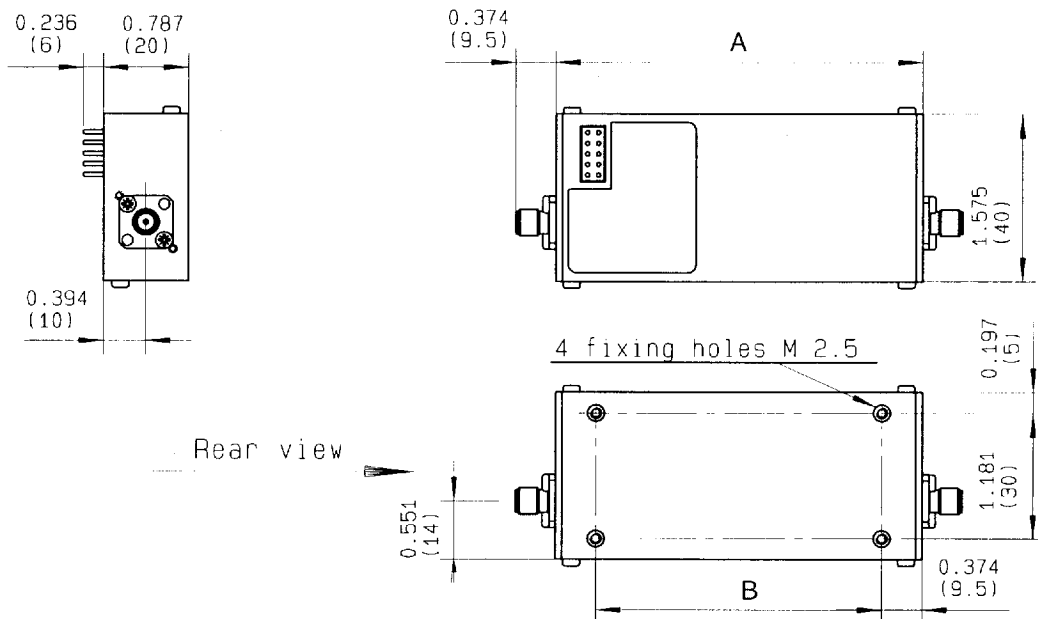
Operating mode		Failsafe	
Actuator voltage	V	12	24
Coil resistance per cell	Ω	1000	2900
Switching time	ms	6	
Life		10^6 per cell	
Connectors		SMA or N	
Actuator terminals		Solder Pins or Double rows .100" (2.54 mm) pitch male connector	
Operating temperature range	°C	-40, + 70	
Storage temperature range	°C	-40, + 70	

COAXIAL ATTENUATORS

SMA and N

MINIATURE and STANDARD up to 1 GHz

TYPICAL OUTLINE DRAWING FOR SMA CONNECTORS



Range	A inch (mm)	B inch (mm)
0 - 15 dB	2.484 (63.1)	1.736 (44.1)
0 - 31 dB	2.956 (75.1)	2.208 (56.1)
0 - 63 dB	3.429 (87.1)	2.681 (68.1)
0 - 127 dB	4.374 (111.1)	3.626 (92.1)

General tolerance : ± 0.020 inch (± 0.5 mm)

TYPICAL OUTLINE DRAWING FOR N CONNECTORS

