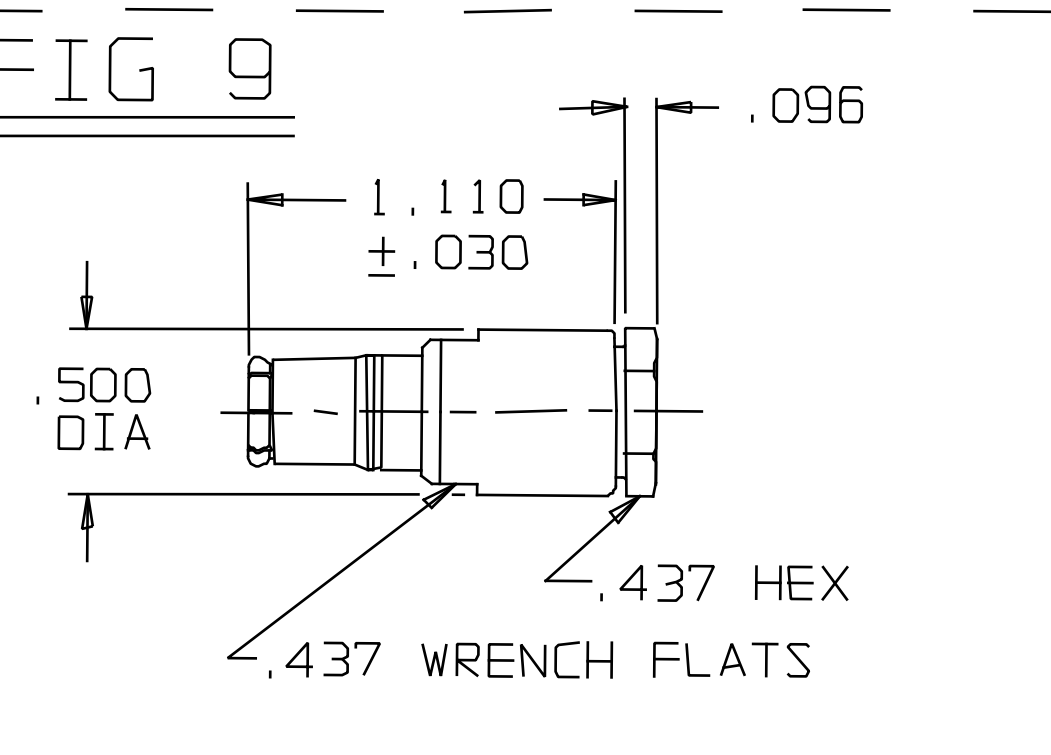
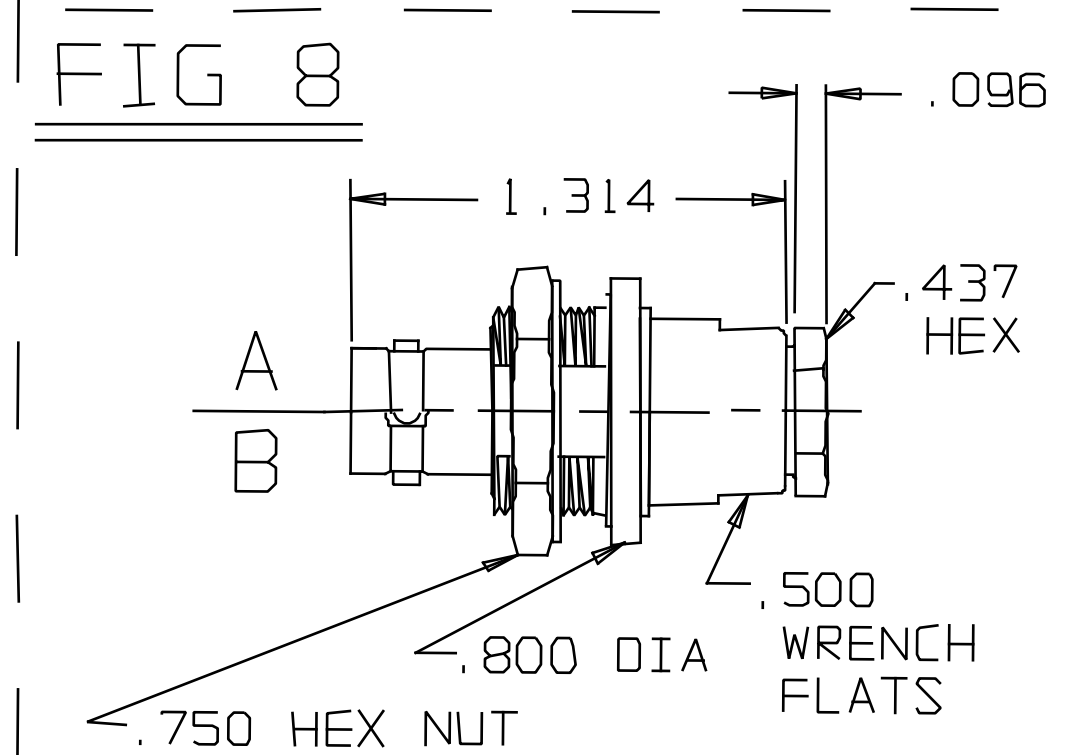
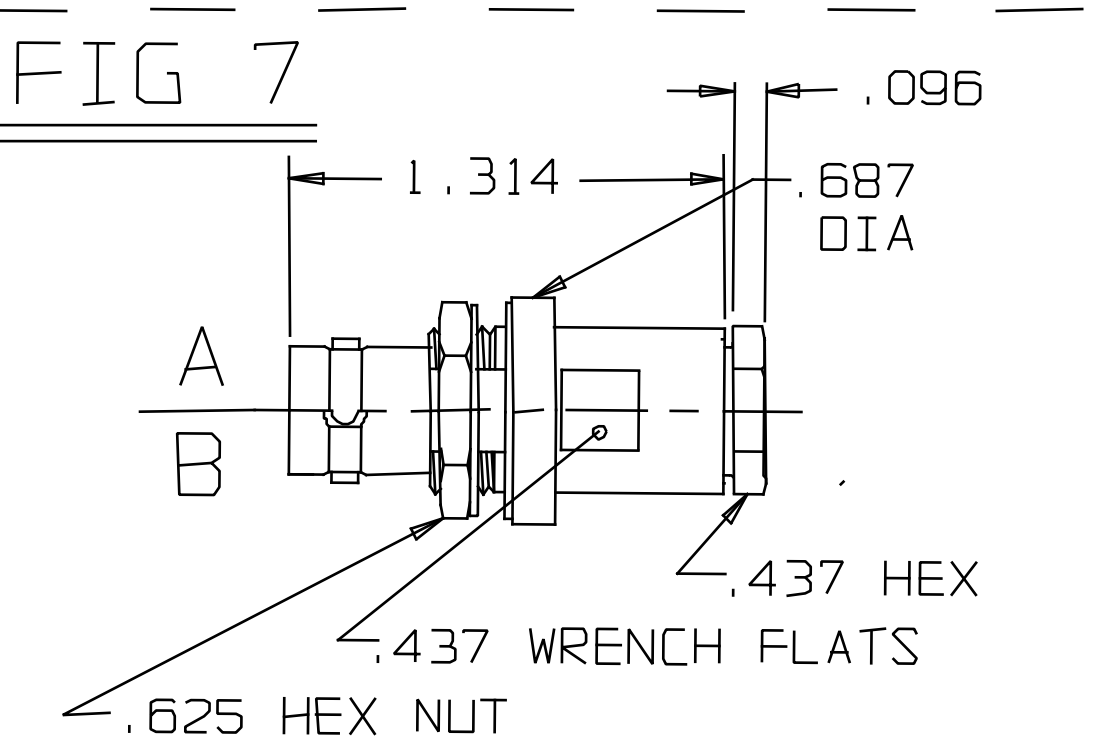
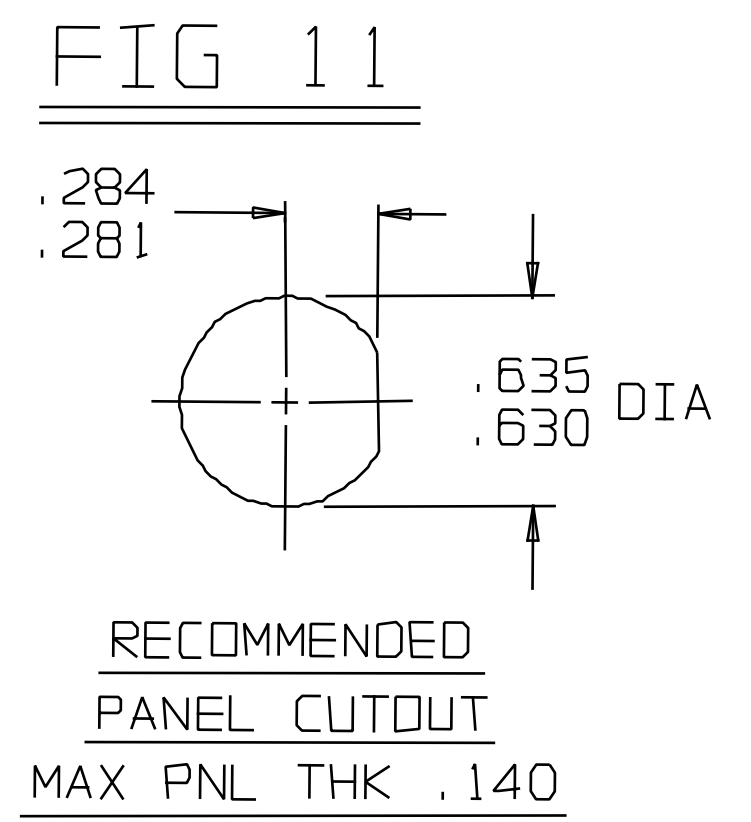
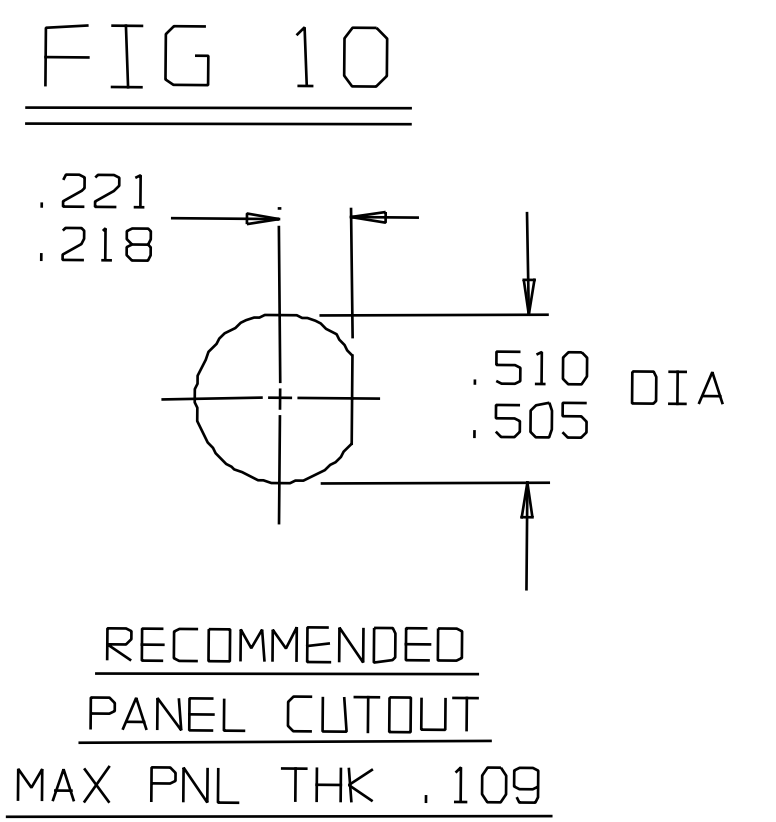
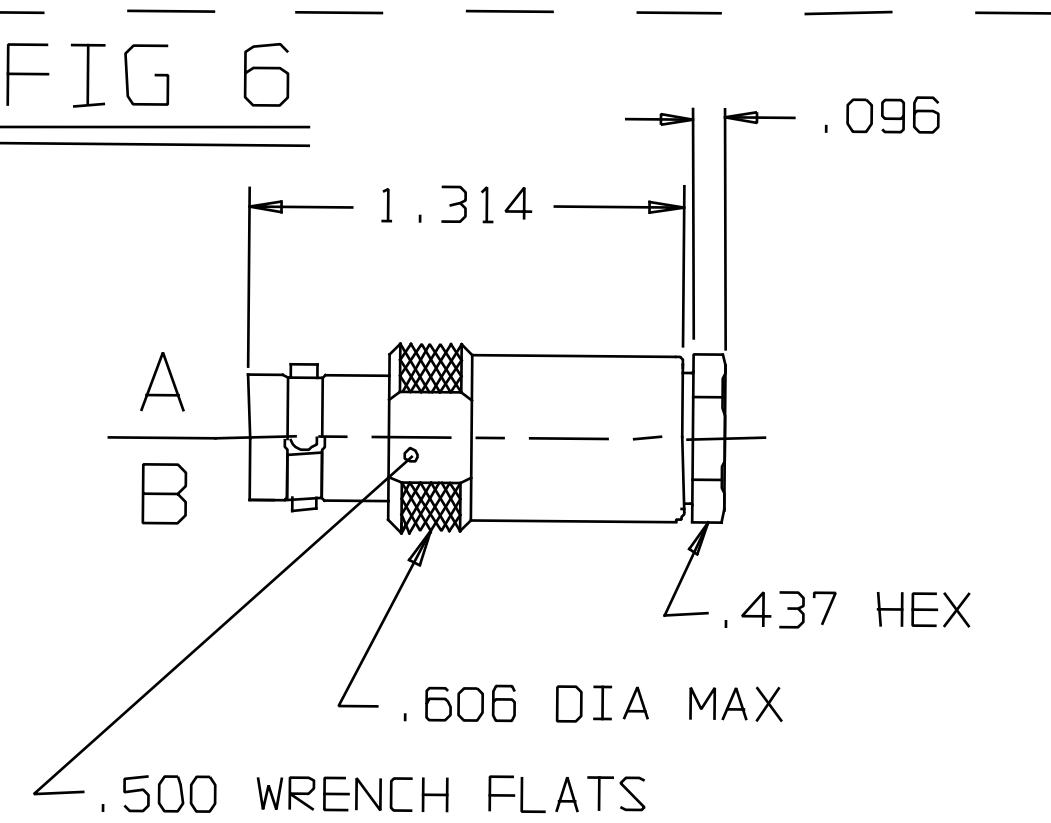
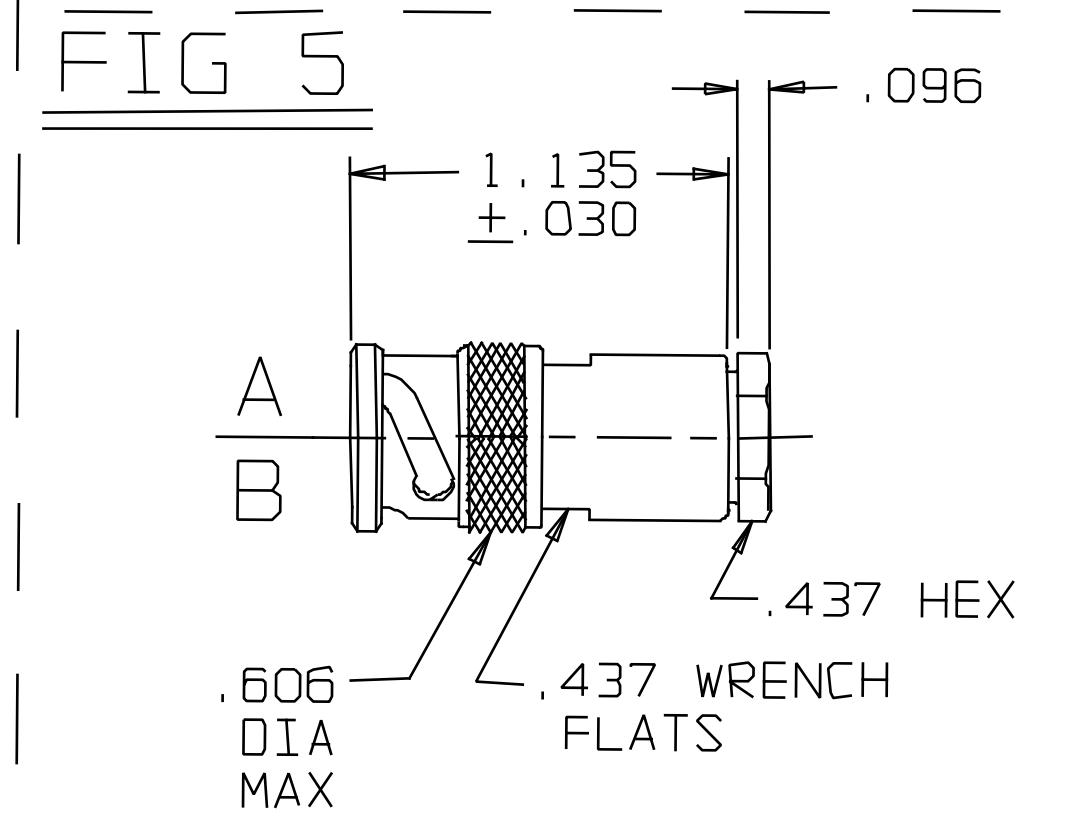
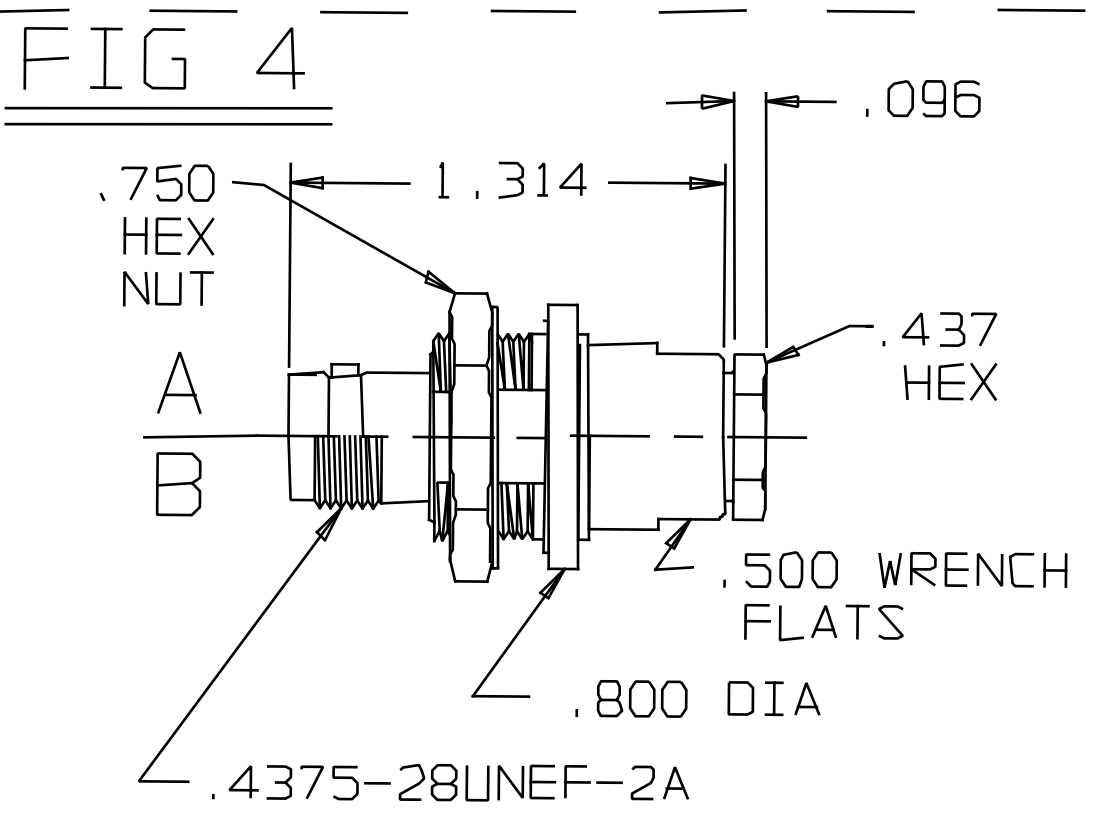
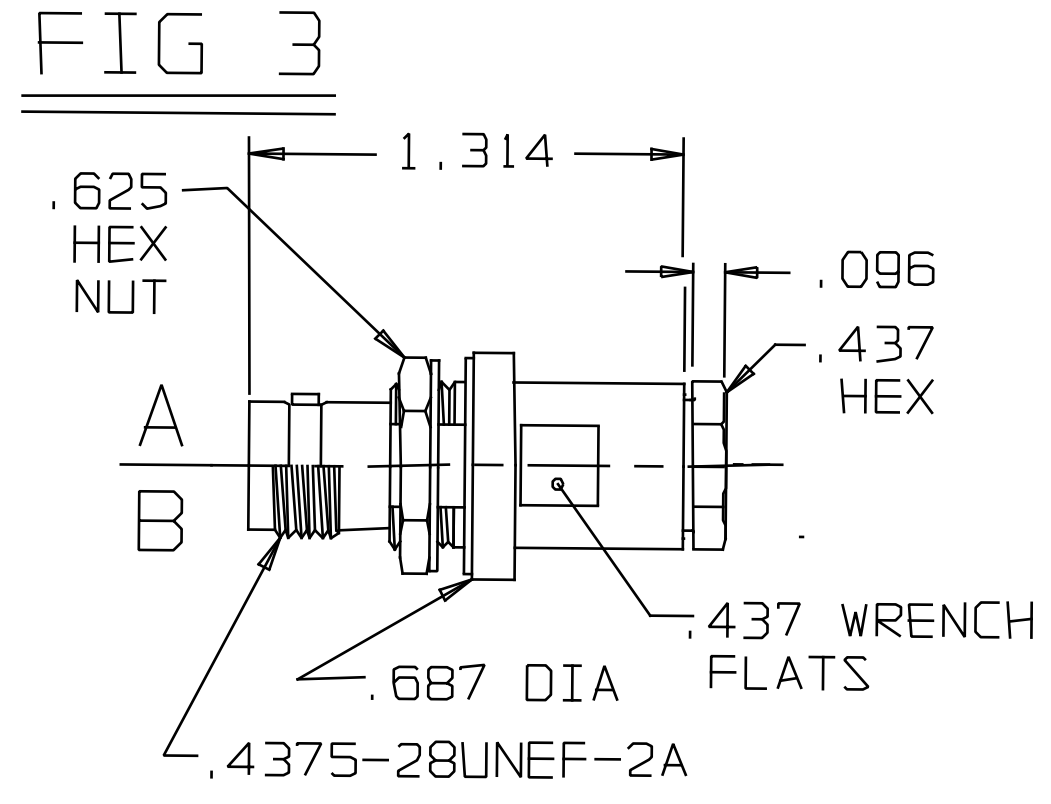
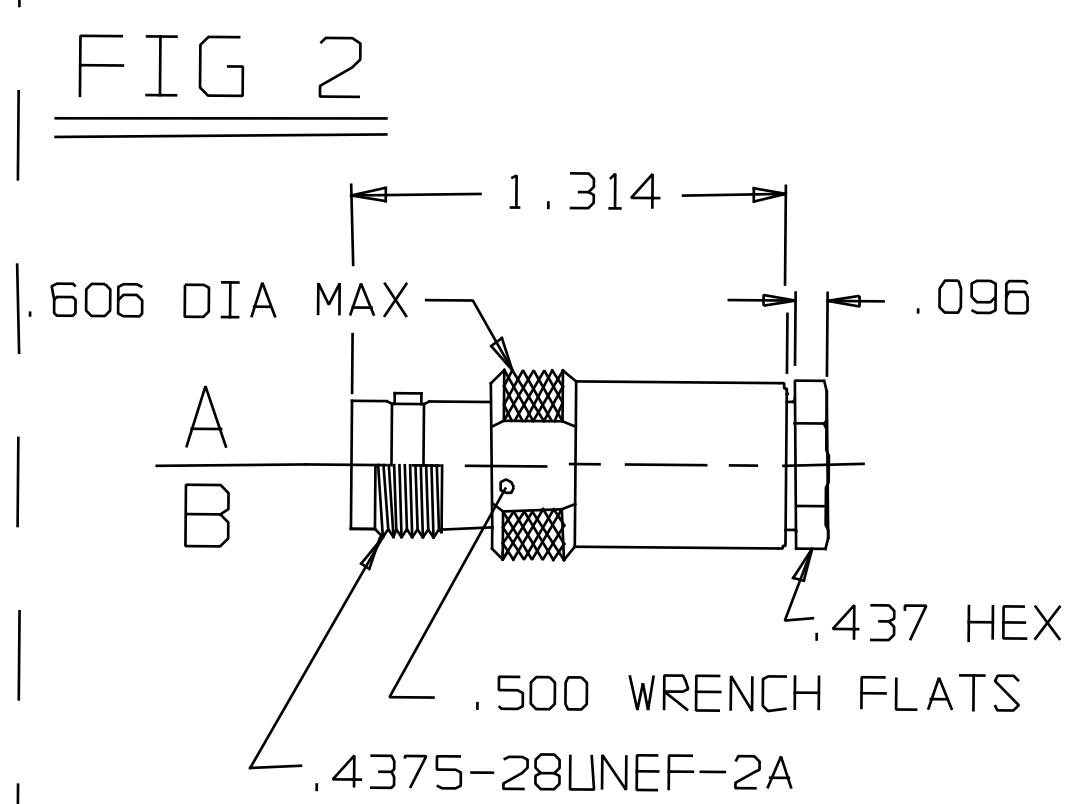
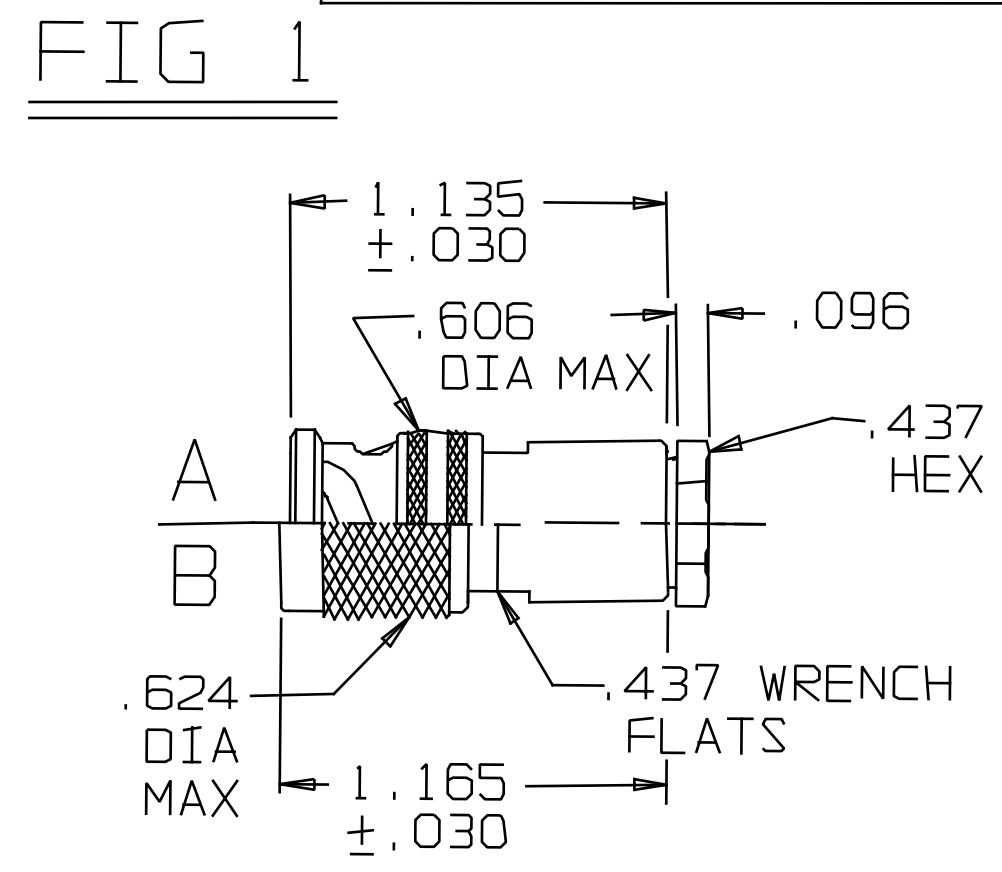


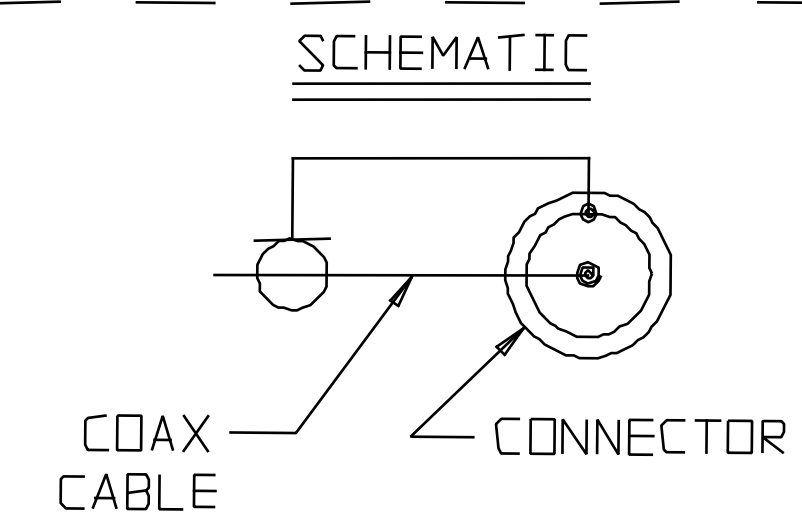
DATA CONTAINED IN THIS DOCUMENT IS PROPRIETARY TO TROMPETER ELECTRONICS INC. AND SHALL NOT BE DISCLOSED, COPIED OR USED FOR PROCUREMENT OR MANUFACTURE WITHOUT EXPRESS WRITTEN PERMISSION.

REVISIONS			305-0638	SH 1	
REV	EO	DESCRIPTION	OWN	APPROVED	DATE
C	10032	MTG HOLE FIG FOR -2 WAS -, -7 WAS 10	DKC		

DASH NO	CONNECTOR TYPE	MATERIAL	ASSEMBLE PER	FIG	MTG HOLE FIG
-1	PL75	310-0002-47	SH 2	1A	—
-2	BJ79	3-0018-47		3A	10
-3	BJ379	3-0074-47		3B	10
-4	BJ74	3-0055-47		4A	11
-5	PL375	315-0011-47		1B	—
-6	CJ370	3-0066-47		2B	—
-7	CJ70	3-0043-47		2A	—
-8	BJ374	3-0073-47		4B	11
-9	PL74	310-0025-47		5A	—
-10	CJ70TL	3-0217-47		6A	—
-11	BJ79TL	3-0112-47		7A	10
-12	BJ74TL	3-0105-47		8A	11
-13	PL75FL	310-0006-47		5B	—
-14	CJ70FL	3-0101-47		6B	—
-15	BJ79FL	3-0052-47		7B	10
-16	BJ74FL	3-0099-47		8B	11
-17	PL73	310-0038-47		9	—



- 5 USE SRINK TUBING .125 ID X .750 LG (WHITE)
- 4
  - a. REPLACE 8-1590-47 CONE & 8-1593-47 CONE DIELECTRIC WITH -101 CONE
  - b. ADD 8-0694 NYLON WASHER
- 3. CONCENTRIC TWINAX/TRIAX, 2-LUG, 3-LUG, 4-LUG AND THREADED CABLE PLUGS/RECEPTACLES, INSULATED & NONINSULATED BULKHEAD MOUNT RECEPTACLES & PUSH-ON CABLE PLUG FOR CABLE GROUP -5, FDS
- 2. FINISH TFS-1A (NICKEL)
- 1. ALL DIM ARE IN INCHES



QTY	DESCRIPTION		PART NUMBER	ITEM		
TOL UNLESS SPECIFIED						
.XX ±	<b>TROMPETER ELECTRONICS, INC.</b>		"70" SERIES -5 FDS			
.XXX ± .005						
.XXXX ±						
ANGLES ±						
OWN	DKC	11-18-92	MATERIAL	CODE IDENT	DRAWING NO.	REV
CHK				14949	305-0638	C
ENGR			SCALE —	DATE 2-5-87	SHEET 1 OF 3	
NEXT ASSY	APPR					