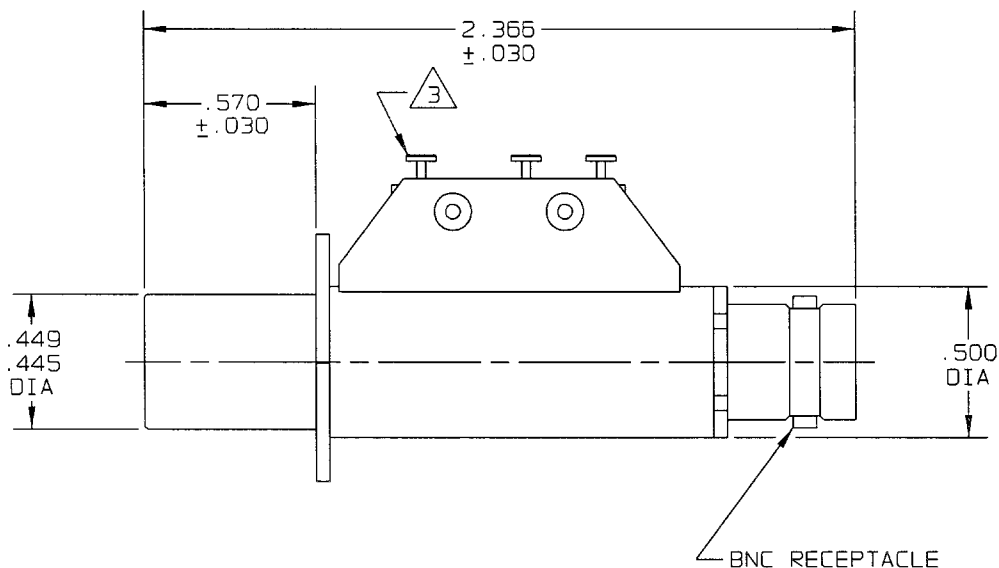
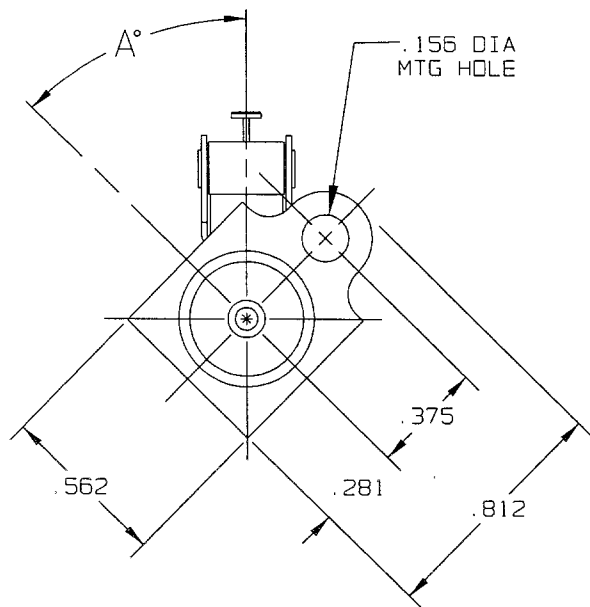


DASH NO	MODEL NO	APPLICATION		ANGLE "A"
		SYSTEM	PIN SIZE	
-1	J3A	50 OHM	.070 (RCA)	44° -30'
-W1	J3WA ⁵	75 OHM	.090 (W.E.CO)	
-2	J3AR ⁵	50 OHM	.070 (RCA)	315°-30'
-W2	J3WAR ⁵	75 OHM	.090 (W.E.CO)	

DATA CONTAINED IN THIS DOCUMENT IS PROPRIETARY TO TROMPETER ELECTRONICS INC. AND SHALL NOT BE DISCLOSED, COPIED OR USED FOR PROCUREMENT OR MANUFACTURE WITHOUT EXPRESS WRITTEN PERMISSION OF TROMPETER ELECTRONICS INC.

REVISIONS		1-0103	SH 1
REV	DESCRIPTION	DATE	APPROVED
V	REVISED PER ECO #14327	11-15-01	RAM



-1 SHOWN

RED INDICATES ORIGINAL

⁵ "W" DENOTES W.E.CO. VERSION
"R" (REVERSE) DENOTES MIRROR IMAGE

4. COAXIAL PATCH RECEPTACLE/
BNC RECEPTACLE WITH SPOT
MICROSWITCH

³ SWITCH CONTACT RATING: 125-250
VAC; 5 AMPS & 28 VDC; 5 AMP
RESISTIVE/3 AMPS INDUCTIVE

2. FINISH: TFS-1A (NICKEL)

1. ALL DIM ARE IN INCHES

7. EXAMPLE OF COMPLETE MODEL NO:

J3A-1
BASIC MODEL NO _____ DASH NO _____

6. EXAMPLE OF COMPLETE PART NO:

1-0103-1
BASIC MODEL NO _____ DASH NO _____

INTERPRET DRAWING PER MIL-STD-100 DIMENSIONS ARE IN INCHES AND INCLUDE FINISH THICKNESS UNLESS OTHERWISE SPECIFIED		TOL: UNLESS SPECIFIED .XX .XXX ± .005 .XXXX ANGLES ± 0° 30'		
DRAWN PD	DATE 11-07-01	MATERIAL:	TITLE: J3A/J3WA J3AR/J3WAR	
CHECKED AA	DATE 11-7-01	FINISH:	SIZE A	CAGE CODE 14949
QUALITY [Signature]	DATE 11-11-01		DRAWING NO. 1-0103	REV. V
APPROVED [Signature]	DATE 11/15/01	DO NOT SCALE DWG	SCALE 2/1	DATE 11-18-66
NEXT ASSY	CAD FILE NO 1-0103V1.PRT		SHEET 1C	