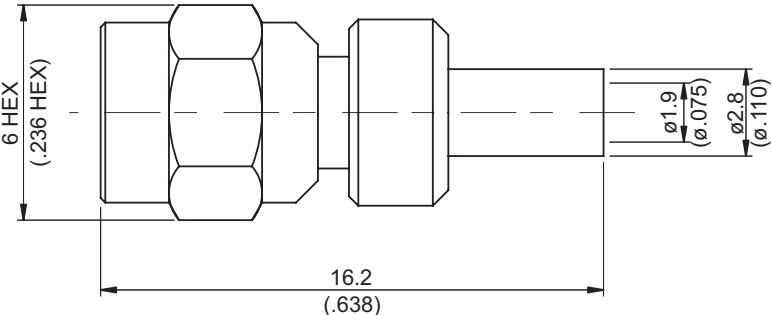


SMC3100-0178	SMC Plug Crimp		50Ω
			
Parts	Material	Plating (Micro-inch)	
Ferrule	Brass	Gold 5 Over Nickel 50 Over Copper 50	
Contact Pin	Phosphor Bronze	Gold 20 Over Nickel 50 Over Copper 50	
Barrel	Brass	Gold 5 Over Nickel 50 Over Copper 50	
Insulator	Teflon		
Body	Brass	Gold 5 Over Nickel 50 Over Copper 50	
Coupling Nut	Brass	Gold 5 Over Nickel 50 Over Copper 50	
Weight: 2.65 g Suitable Cables: RG178, RG196, RG178-FEP			

This part number complies with RoHS.

Notice: JYEBAO reserves the right to make modifications deemed appropriate.

CABLE ASSEMBLY INSTRUCTION

SMC3100-0178

JYE BAO CO., LTD.

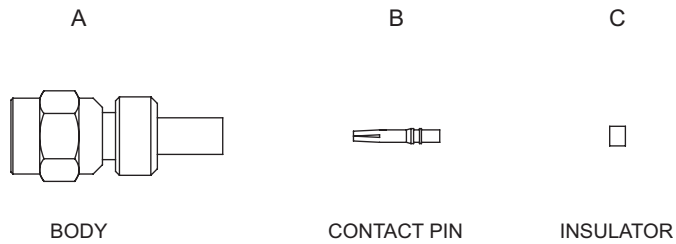
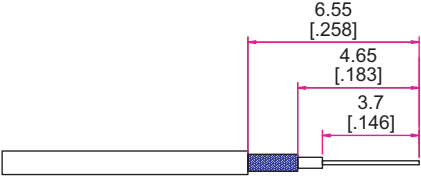
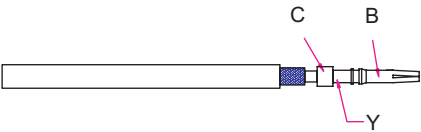
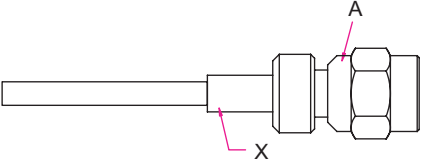


DIAGRAM	ASSEMBLY INSTRUCTION
	<p>Step 1: STRIP AS SHOWN .</p>
	<p>Step 2: SLIDE CENTER CONDUCTOR INTO INSULATOR " C " .</p> <p>Step 3: PUT PIN " B " ON CONDUCTOR AND CRIMP IN "Y".</p>
	<p>Step 4: PUT PREPARED CABLE INTO CONNECTOR " A " .</p> <p>Step 5: CRIMP IN " X " .</p> <p>NOTE: CONNECTOR BARREL ALSO FUNCTIONS AS CRIMPING FERRULE .</p>

This part number complies with RoHS.

Notice: JYEBAO reserves the right to make modifications deemed appropriate.