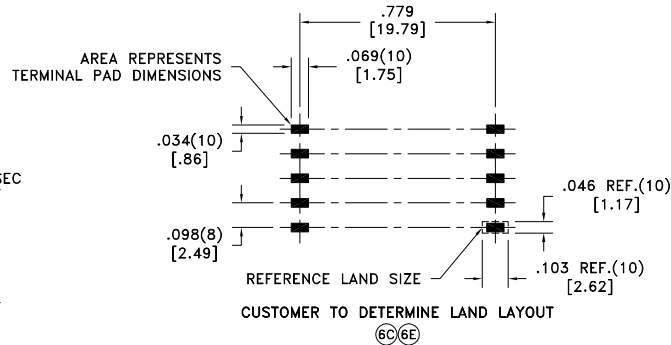
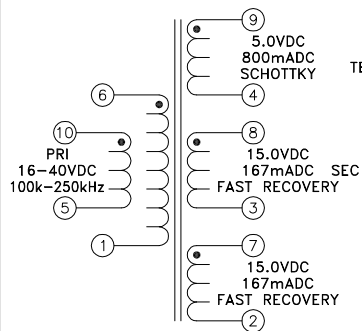
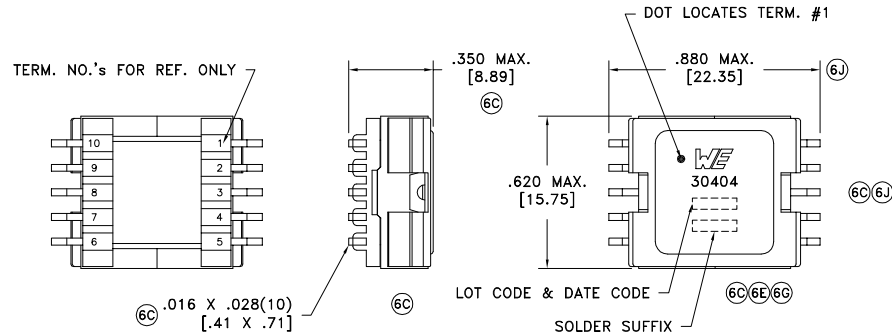


SOLDER SUFFIX	CUSTOMER TERMINAL	RoHS	LEAD(Pb)-FREE	6E/6F
LF1	Sn96%, Ag4%	Yes	Yes	

more than you expect



ELECTRICAL SPECIFICATIONS @ 25°C unless otherwise noted:

PARAMETER	TEST CONDITIONS	VALUE
D.C. RESISTANCE	6-1 @20°C	0.149 ohms max.
D.C. RESISTANCE	9-4 @20°C	0.093 ohms max.
D.C. RESISTANCE	8-3 @20°C	0.800 ohms max.
D.C. RESISTANCE	7-2 @20°C	0.770 ohms max.
D.C. RESISTANCE	10-5 @20°C	0.189 ohms max.
INDUCTANCE	6-1 10kHz, 100mVAC, Ls	32.3uH ±5%
SATURATION CURRENT	6-1 20% rolloff from initial	3.9A
LEAKAGE INDUCTANCE	6-1 tie(9+4, 8+3, 7+2, 10+6, 1+5), 100kHz, 100mVAC, Ls	410nH typ.
DIELECTRIC	PRI-SEC 650VAC, 1 second	500VAC, 1 minute
URNS RATIO	(1-6):(9-4)	1.733:1, ±1%
URNS RATIO	(8-3):(1-6)	1.65:1, ±1%
URNS RATIO	(7-2):(1-6)	1.65:1, ±1%
URNS RATIO	(1-6):(10-5)	1:1, ±1%

GENERAL SPECIFICATIONS:

OPERATING TEMPERATURE RANGE: -40°C to +125°C including temp rise.

TRANSFORMER INFORMATION:

Pout max.: 9.00W
Pout min.: 4.74W
Estimated Temp. Rise @ Pout max.: 41.0°C
Estimated Efficiency: 77.0%
Estimated Maximum Duty Cycle: 39.7%

SWITCH SELECTION INFORMATION

Input Voltage Range: 16-40V
Peak Current: 2.898A
Vsw @ Rated Output Voltages: 50 + (Vmax - 40)
Operating Frequency: 100k-250kHz

Transformer will operate in Discontinuous Mode below Minimum Specified Output Voltage of Pout Min.
Pout min. varies with frequency of switcher (from 100 to 250kHz)
Pout Min = 474.0/(Freq. in kHz) Watts.

Wire insulation & RoHS status not affected by wire color.
Wire insulation color may vary depending on availability.

DETAILS SUBJECT TO CHANGE

REV.	DATE	Packaging Specifications		Tolerances unless otherwise specified:	DRAWING TITLE	PART NO.
6J	3/17	Method: Tape & Reel		Angles: ±1°	TRANSFORMER	30404R-LF1 SPECIFICATION SHEET 1 OF 1
6H	11/12	PKG-1028		Decimals: ±.005 [.13]		
6G	2/12	www.we-online.com/midcom		Fractions: ±1/64	Footprint: ±.005 [.13]	
6F	4/10	SEE REVISION SHEET FOR REVISION LEVEL		This drawing is dual dimensioned. Dimensions in brackets are in millimeters.		
			Tolerances unless otherwise specified: Angles: ±1° Decimals: ±.005 [.13] Fractions: ±1/64 Footprint: ±.005 [.13]		DRAWING TITLE TRANSFORMER	



eiSos p/n: 750030404