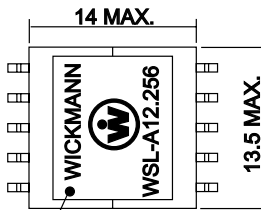
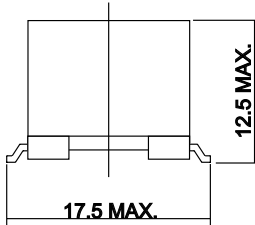


ADSL-Transformer WSL-A12.256



Schematics & Mechanicals (mm)



BLACK DOT IS PIN NO.1

Application

CPE, ALCATEL MTK-20140 / 150 / 450 Chipset

Safety Agency

IEC 950

Features

Optimized magnetic shielding for low interference
High performance, high quality design
SMT and THT package available

WebLinks

Data Sheet

www.wickmann.com/products/WSL_A12256.pdf

Packaging

www.wickmann.com/pack

Specifications

Packaging

100 pcs/tray
7 trays/carton

Solderability

270 - 300°C


Isolation voltage

1250 VAC

Operation Temperature Range

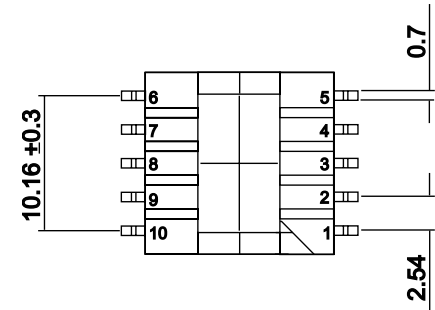
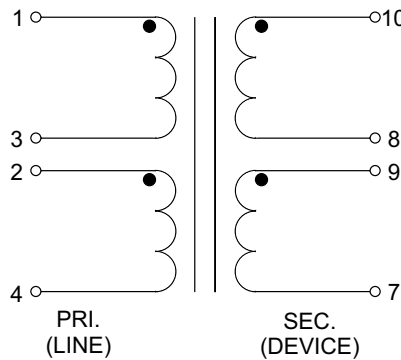
-40°C to +85°C

Marking

 , article-no.

Unit Weight

6g



DC Resistance	0,65 Ω (10-8) max. ±10% 0,65 Ω (9-7) max. ±10% 0,59 Ω (1-3) max. ±10% 0,59 Ω (2-4) max. ±10%
Open Circuit Inductance	470mH ±10% @ 10kHz, 100mVAC (10-7), short (8+9), Ls
Turns Ratio	1:1 ± 1%, (10-8):(9-7) 1:1 ± 1%, (10-8):(1-3)
Leakage Inductance	10,0μH max. 100kHz, 100mVAC (10-7), short (8+9, 1+3, 2+4), Ls
Logitudinal Balance	-
Interwinding Capacity	-
Reflects 100Ω @ R _L	-
Insertion Loss	-
Total Harmonic Distortion	-

Order Information

Qty.	Order Number
	960 4 612256 9