



Flight II 80 - FE12B3 - 031162 - No
 (Family) (Model) (Part #) (In Stock)

Electrical Specifications

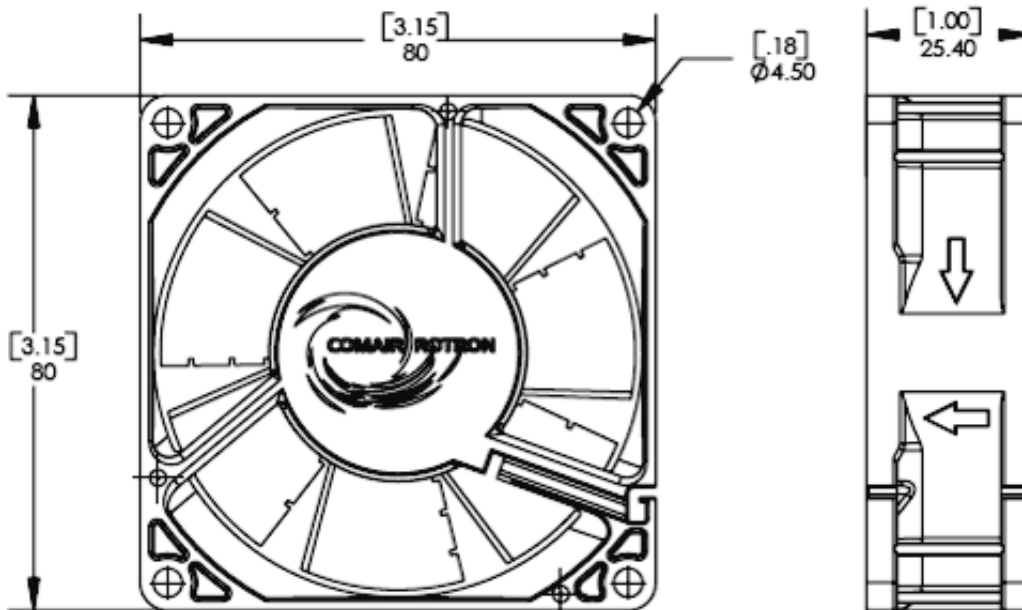
Operating Voltage:	12 Volts
Voltage Range:	6 - 14 Volts
Power Supply:	2.0 Watts
Line Current:	0.17 Amps
Locked Rotor Current	0.57 Amps
Nominal Speed:	3574 RPM

Mechanical Specifications

Dimensions:	3.1 x 3.1 x 1.0 in
Weight	4.59 oz
Max Airflow @ 0 in H ₂ O	37.0 CFM
Max Pressure @ 0 CFM	0.233 in H ₂ O
Noise	36.2 dBA



Mechanical Drawing



Comair Rotron, Inc.
 Phone: 619.651.2000
 sales@comairrotron.com

Comair Rotron Europe, Ltd.
 Phone: +44.1527.520525
 saleseurope@comairrotron.com

Comair Rotron Fan Company Ltd.
 Phone: +86.21.52260581
 salesasia@comairrotron.com

Print Date: Thursday, March 22, 2012 at 23:51:07 - DC Fan Datasheet - Web Version 1.0 Rev. B



Fan Performance Curve

Fan Configuration Options

Flight II 80

(Family)

FE12B3 / 031162

(Model)

(Part #)

No

(In Stock)

305 mm [12 inch] Leads

(Features)

Fan Speed:

3574 RPM

Fan Bearings:

Ball Bearings

Fan Airflow Direction:

Flow R (CCW Rotation)

Fan Termination:

Leads

Fan Monitoring Options:

No Fan Monitoring Options Selected

Fan Speed Control Option:

No ThermaPro-V Fan Speed Control Options Selected

Environmental Protection Options:

No Enviroshield Options Selected

Comair Rotron, Inc.

Phone: 619.651.2000

sales@comairrotron.com

Comair Rotron Europe, Ltd.

Phone: +44.1527.520525

saleseurope@comairrotron.com

Comair Rotron Fan Company Ltd.

Phone: +86.21.52260581

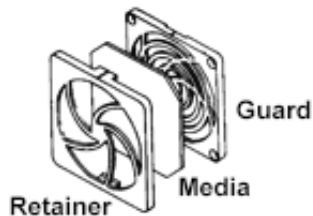
salesasia@comairrotron.com

Print Date: Thursday, March 22, 2012 at 23:51:07 - DC Fan Datasheet - Web Version 1.0 Rev. B

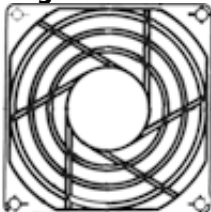


Accessories [\(Click on part number for detailed drawing.\)](#)

554141
Filter Guard Assembly



550648
Finger Guard



476143
Finger Guard



Comair Rotron, Inc.
Phone: 619.651.2000
sales@comairrotron.com

Comair Rotron Europe, Ltd.
Phone: +44.1527.520525
saleseurope@comairrotron.com

Comair Rotron Fan Company Ltd.
Phone: +86.21.52260581
salesasia@comairrotron.com

Print Date: Thursday, March 22, 2012 at 23:51:07 - DC Fan Datasheet - Web Version 1.0 Rev. B