

ADSL-Transformer WSL-A32.330

Specifications



Application
ALCATEL MTK 20140 Chipset

Features

Optimized magnetic shielding for low interference
High performance, high quality design
SMT and THT package available

Packaging
100 pcs./tray
7 trays/carton

Solderability
270 - 300°C

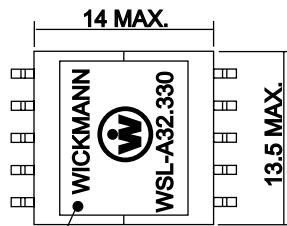
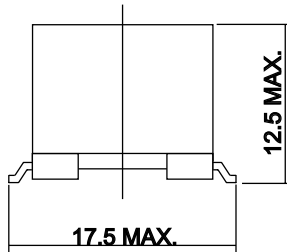
Isolation voltage
1500 VAC

Operation Temperature Range
-40°C to +85°C

Marking
 article-no.

Unit Weight
6g

Schematics & Mechanicals (mm)

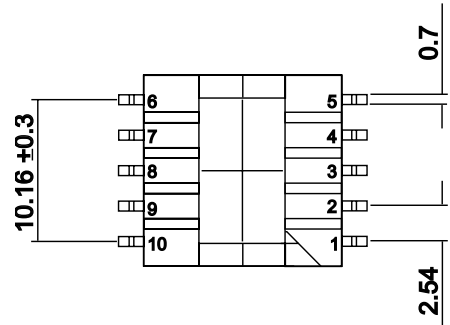
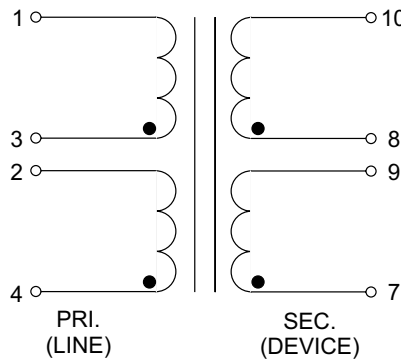


BLACK DOT IS PIN NO.1

WebLinks

Data Sheet
www.wickmann.com/products/WSL_A32330.pdf

Packaging
www.wickmann.com/pack



DC Resistance:	1,0 Ω (1-4) max. ±10%, short (2+3)
Open Circuit Inductance:	480μH ±10% @ 10kHz, 100mVAC, (10-7), short (8+9)
Turns Ratio:	1:1 ± 1%, (1-4):(10-7)
Leakage Inductance:	10,0μH max. @ 10kHz, 50mVAC, (1-4), short (2+3, 7+10, 8+9)
Longitudinal Balance:	-
Return Loss:	-
Reflects 100Ω @ R _L =	-
Insertion Loss:	<1,0dB @ 100kHz
Total Harmonic Distortion (THD):	-72dB min. @ 10kHz

Order Information

Qty.	Order Number
	960 4 632330 9