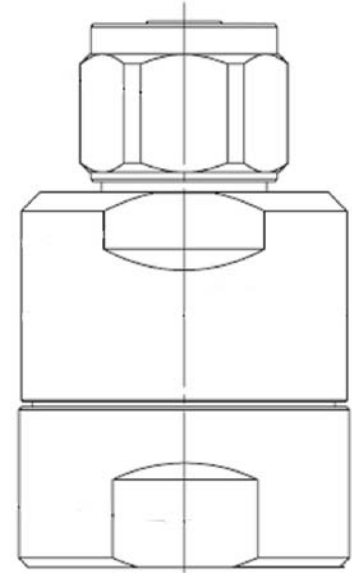


This model was previously released as AAC-78ST-NM-MM

AC-78ST-NM-MM

N-Type Male Connector for 7/8" Standard Coaxial Cable

General Characteristics		
Interface	N-Type Male	
Body Style	Straight	
Cable Size	7/8"	
Cable Type	Standard Feeder	
Electrical Characteristics		
Operating Frequency Range	DC-3 GHz	
Impedance	50Ω	
Insertion Loss	≤ 0.05 dB	
VSWR	≤ 1.10	
PIM	≤ -150 dBc	
Contact Resistance	Inner Conductor	≤ 0.8 mΩ
	Outer Conductor	≤ 0.4 mΩ
Insulation Resistance	≥ 5,000 mΩ	
Proof Voltage	2500 V	
Environmental Characteristics		
Temperature Range	-55° C to +155° C (-67° F to +185° F)	
Weather Standard	IEC 60068 55 / 155 / 56	
Thermal Shock Test Method	US MIL-STD-202, Method 107, Condition B	
Mechanical Shock Test Method	US MIL-STD-202, Method 213, Condition I	
Vibration Test Method	US MIL-STD-202, Method 204, Condition B	
Waterproofing Standard	IP68	
RoHS Compliant	yes	
Mechanical Characteristics		
Nut Torque	5 N·m	
Whorl Pull (nut)	500 N	
Tensile Force (cable-connect)	500 N	
Torsion (cable-connect)	5 N·m	
Material Characteristics		
	Material	Plating
Inner Conductor	Brass/Spring Copper	Silver
Outer Conductor	Brass	Trimetal Alloy
Nut	Brass	Ni ≥ 5μm
Gasket	Silicone Rubber	---
Insulator	PTFE	---



Quoted performance parameters are provided to offer typical, peak or range values only and may vary as a result of normal testing, manufacturing and operational conditions. Extreme operational conditions and/or stress on structural supports is beyond our control. Such conditions may result in damage to this product. Improvements to products may be made without notice.