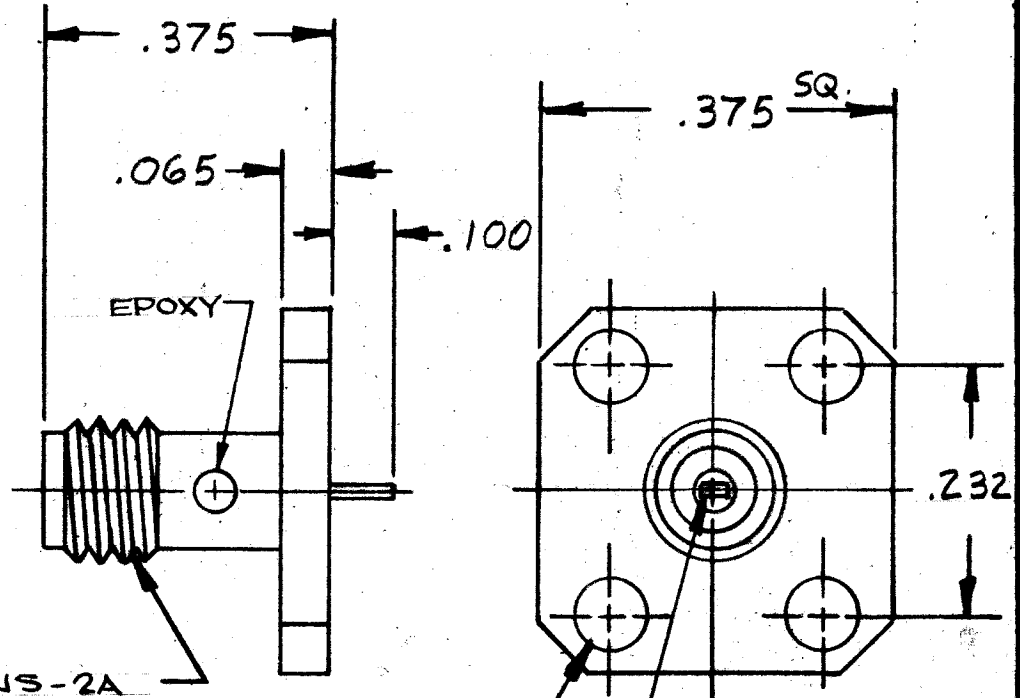


2750-6045

NOTES:

1. MATING: Interface dimensions per Solitron/  
Microwave MD - 114.
2. MATERIALS:  
 BODY.....Stainless Steel per AMS-5640, Type  
303, Cond. A.  
 CONTACT.....Beryllium Copper per QQ-C-530, Cond.  
H., Alloy 173.  
 INSULATOR.....Teflon per Mil-P-19468 & L-P-403,  
Type 1.
3. FINISH:  
 BODY.....Gold per Mil-G-45204, Type 1, Grade C,  
Class 1; over Nickel per Mil-C-26074,  
Class 1.  
 CONTACT.....Gold per Mil-G-45204, Type I, Grade C,  
Class 1; over Copper per Mil-C-14550,  
Class 4.



4. Center Contact Epoxy Captivated.

.006/.004 THK  
x .035/.033  
WIDE TAB  
.096/.090 DIA.  
4 PLACES

|     |              |      |      |  |  |  |   |  |
|-----|--------------|------|------|--|--|--|---|--|
| SYM | DESCRIPTION  | DATE | APPR | UNLESS OTHERWISE SPECIFIED   |  |  | SOLITRON/MICROWAVE<br>PORT SALERNO, FLORIDA | REF ENGINEERING<br>DATA DRAWING                                  |
|     |              |      |      | 1 ALL DIMENSIONS ARE AFTER PLATING<br>2 BREAK ALL CORNERS & EDGES .005 R MAX.<br>3 CHAMFER 1ST & LAST THREADS 45°<br>4 SURFACE ROUGHNESS 63 MIL STD-10<br>5 DIAMETERS ON COMMON CENTERS TO BE CONCENTRIC WITHIN T.I.R.<br>6 REMOVE ALL BURRS |  |  |   |  |
| -   | REL. F-10687 | 1-87 | D    | DIMENSIONS ARE IN INCHES<br>TOLERANCES<br>DECIMALS FRACTIONAL ANGULAR<br>X ± .030 ± 1/64 X' ± 1°0'<br>XX ± .015<br>XXX ± .005 X'X' ± 15'   |  |  | SEE NOTE 2                                  | SSMA 26.0 GHz JACK<br>(4) HOLE FLANGE,<br>CAPTIVE CENTER CONTACT |
|     |              |      |      | DRAWN <i>DWC</i> DATE 1-14-87  |  |  | FINISH                                      | DRAWING NO.  |
|     |              |      |      | CHECKED <i>DL</i> DATE 2-4-87  |  |  | SEE NOTE 3                                  | 2750-6045  |
|     |              |      |      | APPROVED <i>D</i> DATE 2-5-87  |  |  | SCALE                                       |  |
|     |              |      |      |  |  |  | CODE IDENT. NO.                             |  |
|     |              |      |      |  |  |  | 95077                                       |  |
|     |              |      |      |  |  |  | SIZE  |  |
|     |              |      |      |  |  |  | A   |  |

# ENG. FILE COPY

## S/M DESIGN STANDARDS

DRAWING NO.  
2750-6045

| REQUIREMENTS  | RATINGS                    | REQUIREMENTS   | RATINGS   |
|---|----------------------------|--|---|
| Nominal Impedance (ohms)                              | 50                         | Vibration  | MIL-STD-202<br>Method 204<br>Cond. D (20G's)                  |
| Frequency Range (ghz)                                 | DC - 26.0                  | Shock  | MIL-STD-202<br>Method 213<br>Cond. I (100G's)                 |
| Voltage Rating (max. vrms)                            | 250                        | Temperature Cycling  | MIL-STD-202<br>Method 107 - Cond. B<br>(-65°C to + 200 ° C)   |
| Temperature Rating (degrees centigrade)               | -65° to +165°              | Corrosion  | MIL-STD-202<br>Method 101<br>Cond. B (48 Hrs.)                |
| VSWR (max.) 2)  | 1.05 + .005 x FGHz         | Moisture Resistance  | MIL-STD-202<br>Method 106<br>Less Step 7b                     |
| Insertion Loss (dB max.) 2)                           | .04 x $\sqrt{\text{FGHz}}$ | Barometric Pressure (Altitude)   | MIL-STD-202<br>Method 105 - Cond. C<br>(70,000 ft) (190 vrms) |
| RF Leakage (min. dB down)                             | 60 dB-FGHz                 | CAPTIVATION;<br>Center Contact<br>Min. Axial Force<br>Min. Radial Torque | 6.0 lbs.<br>2 in oz.  |
| RF High Potential (max. vrms)                         | 500 at 5MHz                |  |   |
| Dielectric Withstanding Voltage (max. vrms)           | 750                        |  |   |
| Insulation Resistance (min. megohms)                  | 5000                       |  |   |
| Contact Resistance:                                   |                            |  |   |
| Center Contact (max. milliohms)                       | 4.0                        |  |   |
| Outer Contact (max. milliohms)                        | 2.0                        |  |   |
| Center Contact Axial Forces:                          |                            |  |   |
| Insertion (max. ounces)                               | 40.0                       |  |   |
| Withdrawal (min. ounces)                              | 1.0                        |  |   |
| Connector Durability (min. cycles)                    | 500                        |  |   |
| Connector Engagement & Disengagement (max. inch lbs.) | 2.0                        |  |   |

REMARKS: 1) Recommended Mating Torque: 6.- 8 Inch Pounds.  
2) When Properly Terminated in a 50 OHM Load.

TITLE: SSMA, 26.0 GHZ JACK, 4 HOLE FLANGE  
CAPTIVE CENTER CONTACT

**SOLITRON/MICROWAVE**  
PORT SALERNO, FLORIDA

SHT. 2 of 2

DRAWING NO.  
2750-6045

REV.  
-